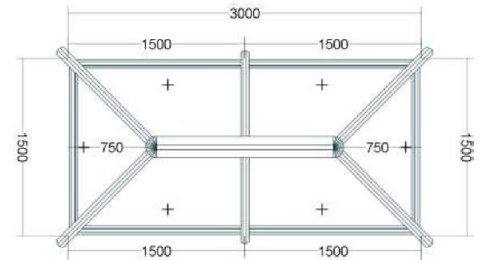


# Synseal Conservatory Training

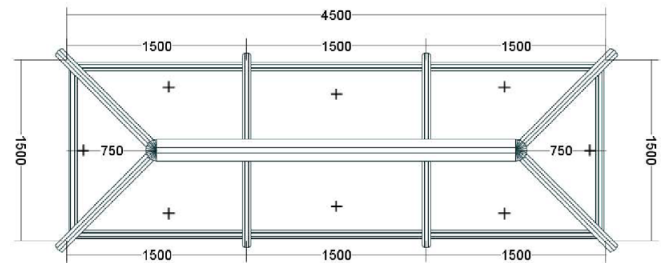
## Stratus Lantern Roof - Design Guide

The guidelines for designing Stratus Lantern Roofs are as follows:

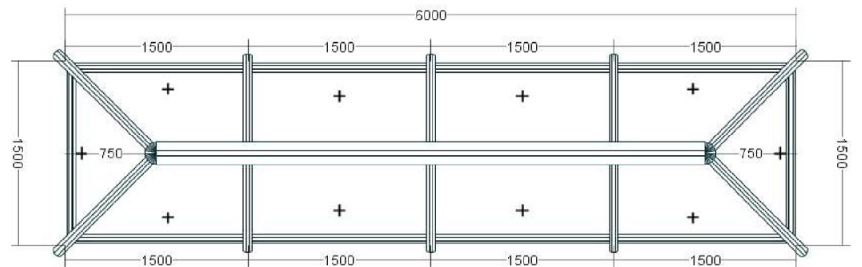
1. Fixed pitch of 20° to all sections
2. All external caps are aluminium in either White or Grey finish (internal is always White PVC-U)
3. 24mm glazing only
4. Maximum and standard rafter spacing is 1500mm with a 31mm clearance required where glazing bar meets the radius end (see layout 2x4, symbol \*)
5. No jack rafters
6. Minimum ridge length is 250 mm
7. Maximum sizes will depend on rafter layout as shown
8. Sizes relate to external face of timber support as indicated by the blue arrow shown below
9. No roof vents or tiebars



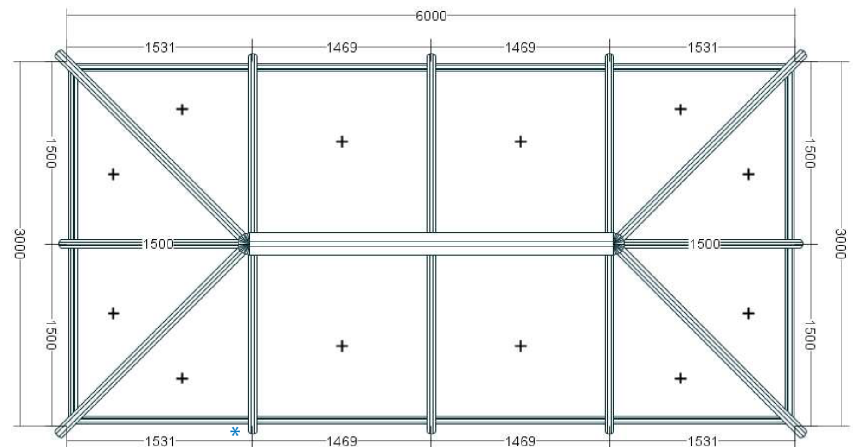
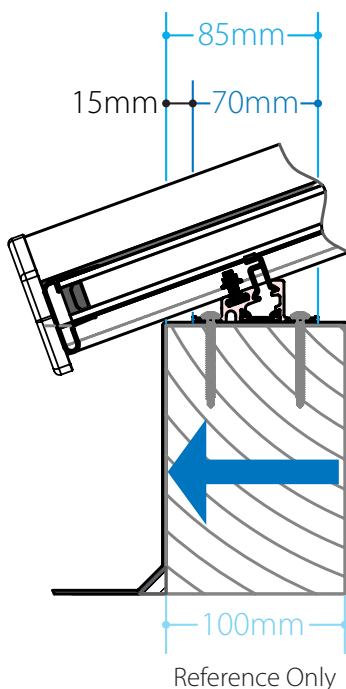
Layout: 1 x 2  
MAX 1500mm x 3000mm



Layout: 1 x 3  
MAX 1500mm x 4500mm



Layout: 1 x 4  
MAX 1500mm x 6000mm



Layout: 2 x 4  
MAX 3000mm x 6000mm