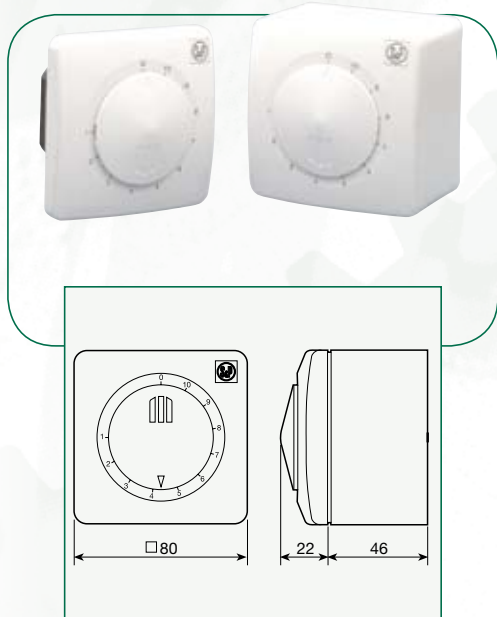


SINGLE-PHASE SPEED CONTROLLER



REB-1N / REB-1NE / REB-2,5N / REB-2,5NE
Electronic single-phase speed controllers



Available in Wall Box or Flush Mount versions.
Fuse protected + spare fuse included.
Minimum speed adjustment.
Single ON/OFF and speed regulation control knob.

Model	Electrical supply		IP Protection	Power (VA)	Maximum current (A)	Class	Operating temperature range
	Frequency (Hz)	Voltage (V)					
REB-1N/1NE	50	220-240	IP44	220	1	II (□)	0-40°C
REB-2,5N/2,5NE				550	2,5		

REB-4 Auto
Electronic single-phase speed controller



LxAxH (mm): 110 x 107 x 170

Varies the speed of the fans proportionally (by electronic voltage regulation) depending upon the temperature of the environment in which the temperature sensor (included) is installed.
Adjustable minimum fan speed.
Fuse protected + spare fuse included.
Temperature band regulation (temperature difference between minimum and maximum fan speeds).
Minimum power load 100 W.

Model	Electrical supply		IP Protection	Power (VA)	Maximum current (A)	Class	Operating temperature range
	Frequency (Hz)	Voltage (V)					
REB-4 Auto	50	220-240	IP55	880	4	II (□)	10-45°C

SINGLE-PHASE SPEED CONTROLLER

REB-5 Auto
Automatic electronic single-phase speed controller



Varies the speed of the fans proportionally (by electronic voltage regulation) depending upon the temperature of the environment in which the temperature sensor (included) is installed.
Digital display.
Adjustable minimum fan speed (0 – 45%).
Temperature alarm with timer.
Ambient temperature display.
Ventilation level display (0 – 100%).
Fuse protected + spare fuse included.
Temperature band regulation (temperature difference between minimum and maximum fan speeds).
Minimum power load 100 W.



LxAxH (mm): 134 x 107 x 169

Model	Electrical supply		IP protection	Power (VA)	Maximum current (A)	Class	Operating temperature range
	Frequency (Hz)	Voltage (V)					
REB-5 Auto	50	220-240	IP55	1100	5	II (□)	10-45°C

PSL-16
Power controller



LxAxH (mm): 165 x 101 x 220

Power controller to increase the number of fans controlled by a single REB-5 Auto. It connects to terminal SL of the REB-5 Auto. Fuse protected. You can connect up to 3 PSL-16 to a single REB-5 Auto.

Model	Electrical supply		IP protection	Maximum current (A)	Operating temperature range
	Frequency (Hz)	Voltage (V)			
PSL-16	50/60	220-240	IP55	16	10-45°C

SINGLE-PHASE SPEED CONTROLLER

REB-5 Electronic single-phase speed controller



LxAxH (mm): 96 x 85 x 164

Surface mounted.
Fuse protected.
Minimum speed adjustment.
Separate On/ Off switch.

Model	Electrical supply		IP Protection	Power (VA)	Maximum current (A)	Class	Operating temperature range
	Frequency (Hz)	Voltage (V)					
REB-5	50	220-240	IP54	1100	5	II (□)	5-45°C

REB-10 Electronic single-phase speed controller



LxAxH (mm): 127 x 95 x 205

Surface mounted.
Fuse protected.
Minimum speed adjustment.
Separate On/ Off switch.

Model	Electrical supply		IP Protection	Power (VA)	Maximum current (A)	Class	Operating temperature range
	Frequency (Hz)	Voltage (V)					
REB-10	50	220-240	IP54	2200	10	II (□)	5-45°C

RRB-100 Electromechanical single-phase speed controller



LxAxH (mm): 90 x 54 x 134

Variable reactance.
Surface mounted.
Five position knob.

Model	Electrical supply		IP protection	Power (VA)	Maximum current (A)	Class	Operating temperature range
	Frequency (Hz)	Voltage (V)					
RRB-100	50	230	IP20	94,3W	0,41	II (□)	5-45°C

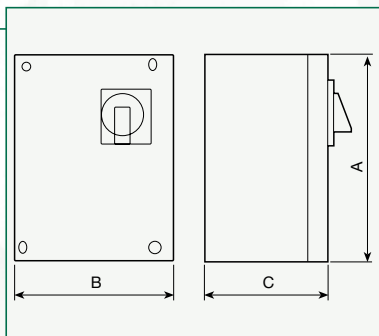
SINGLE-PHASE SPEED CONTROLLER

RMB

Single-phase speed controller by auto-transformer



IP 56 ABS casing.
 Electrical supply: 1/230V/50-60Hz.
 Five position knob (0/1/2/3/4).
 Voltage: 80, 105, 130, 160 and 230 V.
 Pilot light.



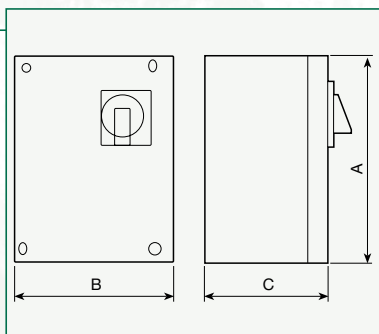
Model	Maximum current (A)	Casing	IP protection	Dimensions			Weight (Kg)
				A	B	C	
RMB-1,5	1,5	ABS	IP56	230	180	95	3
RMB-3,5	3,5						4
RMB-8	8			10			
RMB-10	10			12			

RMT

Three-phase speed controller by auto-transformer



IP 54 ABS casing for RMT-1,5 and RMT-2,5 models.
 IP 54 metallic casing from RMT-5 to RMT-12 models.
 Electrical supply: 3/400V/50-60Hz.
 Five position knob (0/1/2/3/4).
 Voltage: 90, 150, 200, 280 and 400 V.
 Pilot light.



Model	Maximum current (A)	Casing	IP protection	Dimensions			Weight (Kg)
				A	B	C	
RMT-1,5	1,5	ABS	IP54	300	220	125	6
RMT-2,5	2,5	ABS		300	220	125	13
RMT-5	5	Metallic		300	247	200	16
RMT-8	8	Metallic		400	300	205	21
RMT-12	12	Metallic		400	300	205	30