

HVFB Typhoon Fan

Floor
mounted

40°C
operation

The Hydor HVFB Typhoon range are versatile circulation fans, ideal in glasshouses for cooling personnel, with a high performance motor, efficient cooling and quiet operation.

features and benefits

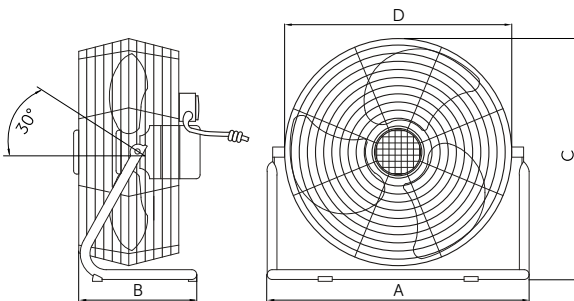
- Floor or wall mounted circulation fan
- Ideal for a variety of horticultural, agricultural and equine buildings
- High performance 3 speed motors
- Efficient quiet operation
- Chrome safety guard
- Single phase 220V to 240V 50Hz



product information

	Airflow m ³ /s	Power Watts	Full Load Current A	Maximum Tilt °
HVFB30	0.75	55	0.22	30
HVFB45	1.83	180	0.81	30

dimensional drawing



dimensions

	Blade Size	A	B	C	D	Weight kg
HVFB30	300	395	61	390	356	4.0
HVFB45	450	74	210	560	518	9.5

Dimensions in mm.