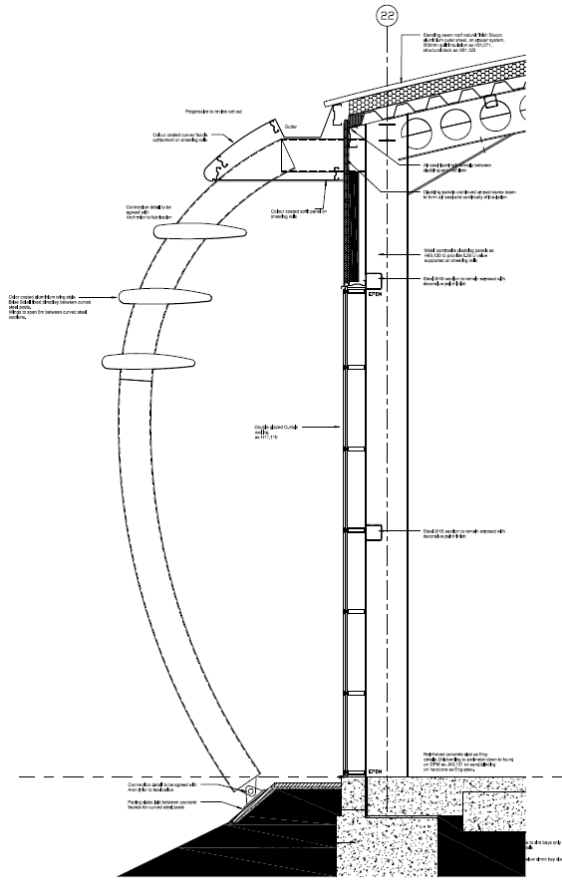
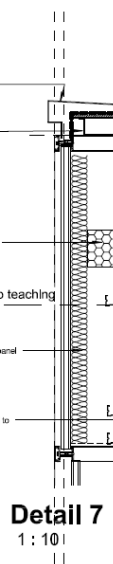


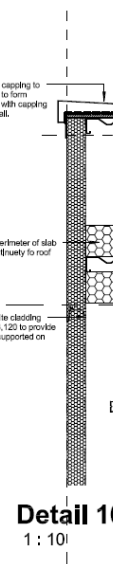
Ground Floor Areas
1:250



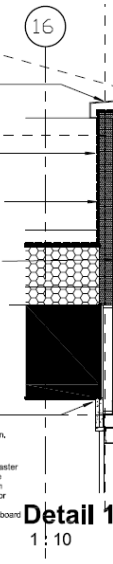
Section 24-24 Sims Hall
1:20



Detail 7
1:10



Detail 10
1:10



Detail 13
1:10

Colour coated capping to top of parapet clamped into curtain walling along front face.

top hat section screwed to top of curtain walling to support ply capping, level to line through with SFS each side.

18mm wbp ply screwed to top of parapet to form continuous parapet height between cladding and curtain walling.

Single ply membrane continued over top of parapet and clamped into glazing.

15mm wbp ply upstand formed on line of SFS fixed to stud between c/w.

Insulation to perimeter of slab to provide continuity to roof insulation.

05 Roof slab teaching 38430

Insulated ceramic backed ply panel

EPDM taken back and bonded to slab edge.

18mm wbp ply screwed to top of parapet to form continuous parapet height between cladding and curtain walling.

Colour coated capping to top of parapet to form continuous parapet height with capping over curtain wall.

Insulation to perimeter of slab to provide continuity to roof insulation.

Metal composite cladding panels as H43.120 to provide 0.25 U value supported on SFS.

18mm wbp ply screwed to top of SFS to form continuous parapet height between cladding and curtain walling.

Single ply membrane continued over top of parapet and into face of cladding.

18mm and 22mm wbp ply upstand formed on line of SFS to line through with c/w upstand.

Insulation to perimeter of slab to provide continuity to roof insulation.

Composite cladding panel on SFS system with ply membrane continued over slab welded to colour coated sill flashing.

Sealant on foam backing strip to joint between canopy and building.

Ply upstand formed to abutment of canopy roof. Same membrane taken up and below sill.

All seal to boarding 50x50 galv pressed metal angle fixed to u/s of slab to accommodate head deflection.

2 layers 12.5mm wallboard as K10.119 fixed to SFS to u/s of slab, wallboard on plaster dab to foam subhead to u/s of slab to line through with head of window. Joint between slab and boards filled with silicon sealant for all seal and deflection.

Additional metal studs required to support board edges.

EPDM bonded to SFS

All seal to boarding 50x50 galv pressed metal angle fixed to u/s of slab to accommodate head deflection.

2 layers 12.5mm wallboard as K10.119 fixed to metal studs between c/w and fixed over angle. Joint between slab and boards filled with silicon sealant for all seal and deflection.

Board returned to c/w head and sealed

Composite cladding panel on SFS system with ply membrane continued over slab welded to colour coated sill flashing.

Sealant on foam backing strip to joint between canopy and building.

Ply upstand formed to abutment of canopy roof. Same membrane taken up and below sill.

All seal to boarding 50x50 galv pressed metal angle fixed to u/s of slab to accommodate head deflection.

2 layers 12.5mm wallboard as K10.119 fixed to SFS to u/s of slab, wallboard on plaster dab to foam subhead to u/s of slab to line through with head of window. Joint between slab and boards filled with silicon sealant for all seal and deflection.

Additional metal studs required to support board edges.

EPDM bonded to SFS

Insulation to perimeter of slab to provide continuity to roof insulation.

Metal composite cladding panels as H43.120 to provide 0.25 U value supported on SFS.

18mm wbp ply screwed to top of SFS to form continuous parapet height between cladding and curtain walling.

Single ply membrane continued over top of parapet and into face of cladding.

18mm and 22mm wbp ply upstand formed on line of SFS to line through with c/w upstand.

Insulation to perimeter of slab to provide continuity to roof insulation.

Composite cladding panel on SFS system with ply membrane continued over slab welded to colour coated sill flashing.

Sealant on foam backing strip to joint between canopy and building.

Ply upstand formed to abutment of canopy roof. Same membrane taken up and below sill.

All seal to boarding 50x50 galv pressed metal angle fixed to u/s of slab to accommodate head deflection.

2 layers 12.5mm wallboard as K10.119 fixed to SFS to u/s of slab, wallboard on plaster dab to foam subhead to u/s of slab to line through with head of window. Joint between slab and boards filled with silicon sealant for all seal and deflection.

Additional metal studs required to support board edges.

EPDM bonded to SFS

Insulation to perimeter of slab to provide continuity to roof insulation.

Metal composite cladding panels as H43.120 to provide 0.25 U value supported on SFS.

18mm wbp ply screwed to top of SFS to form continuous parapet height between cladding and curtain walling.

Single ply membrane continued over top of parapet and into face of cladding.

18mm and 22mm wbp ply upstand formed on line of SFS to line through with c/w upstand.

Insulation to perimeter of slab to provide continuity to roof insulation.

Composite cladding panel on SFS system with ply membrane continued over slab welded to colour coated sill flashing.

Sealant on foam backing strip to joint between canopy and building.

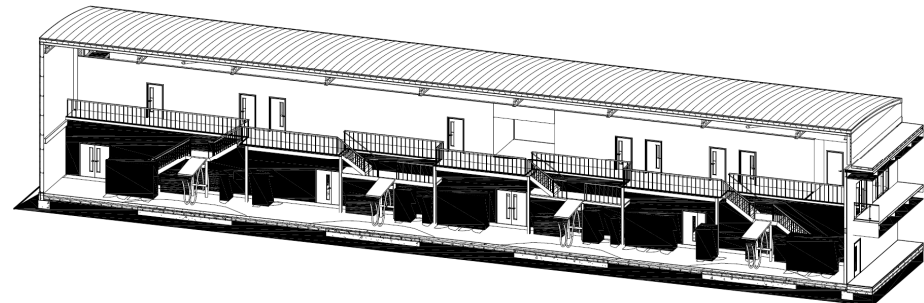
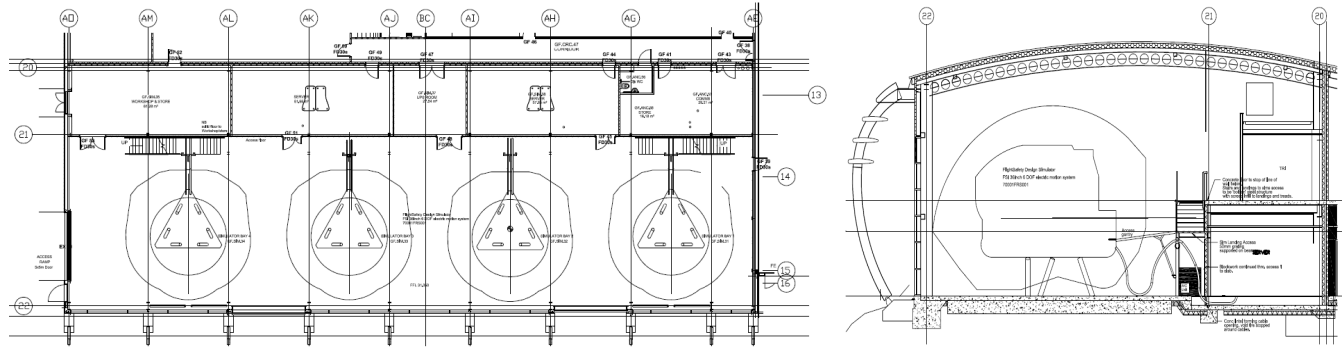
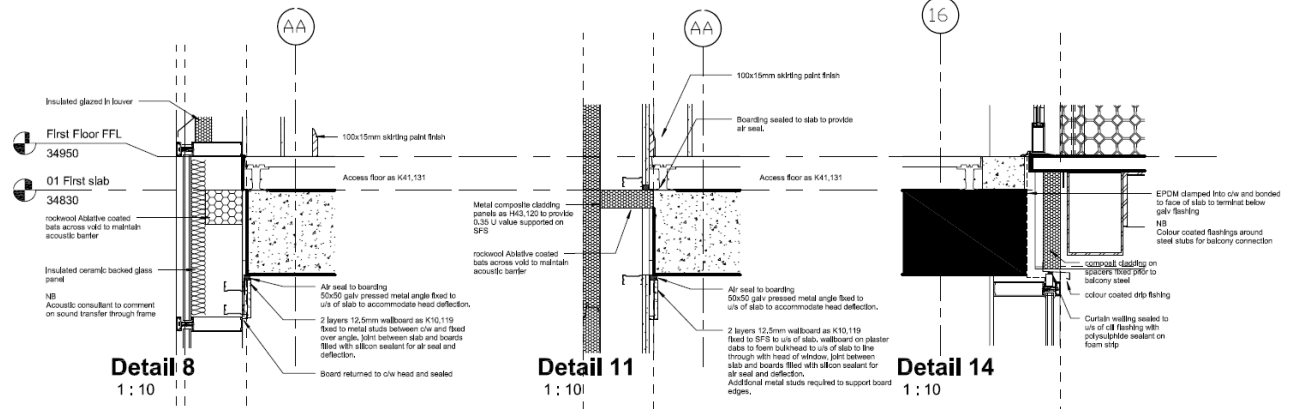
Ply upstand formed to abutment of canopy roof. Same membrane taken up and below sill.

All seal to boarding 50x50 galv pressed metal angle fixed to u/s of slab to accommodate head deflection.

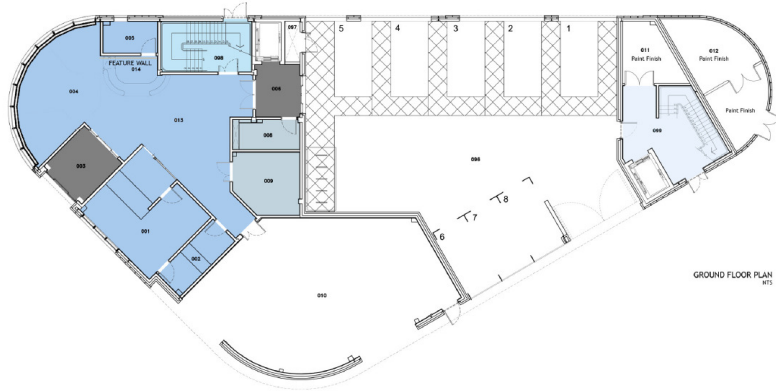
2 layers 12.5mm wallboard as K10.119 fixed to SFS to u/s of slab, wallboard on plaster dab to foam subhead to u/s of slab to line through with head of window. Joint between slab and boards filled with silicon sealant for all seal and deflection.

Additional metal studs required to support board edges.

EPDM bonded to SFS



FLYING SCOTSMAN HEALTH CENTRE - DONCASTER



GROUND FLOOR PLAN
1/12

- ROOM SCHEDULE - GROUND FLOOR**
- 000 - RECEPTION
 - 001 - WAITING AREA
 - 002 - WAITING AREA
 - 003 - WAITING AREA
 - 004 - WAITING AREA
 - 005 - WAITING AREA
 - 006 - WAITING AREA
 - 007 - WAITING AREA
 - 008 - WAITING AREA
 - 009 - WAITING AREA
 - 010 - WAITING AREA
 - 011 - WAITING AREA
 - 012 - WAITING AREA



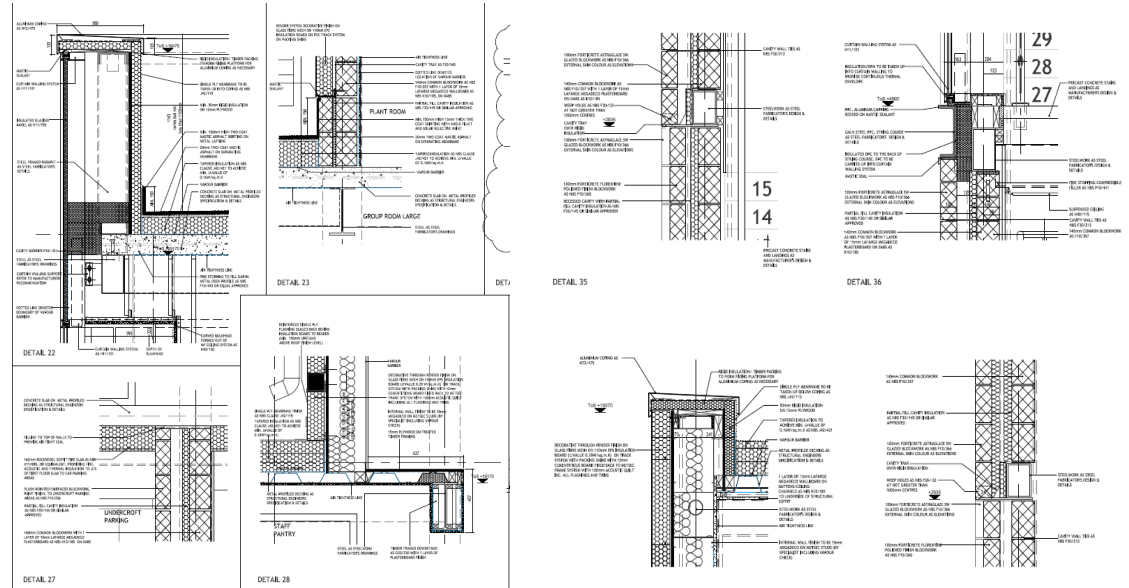
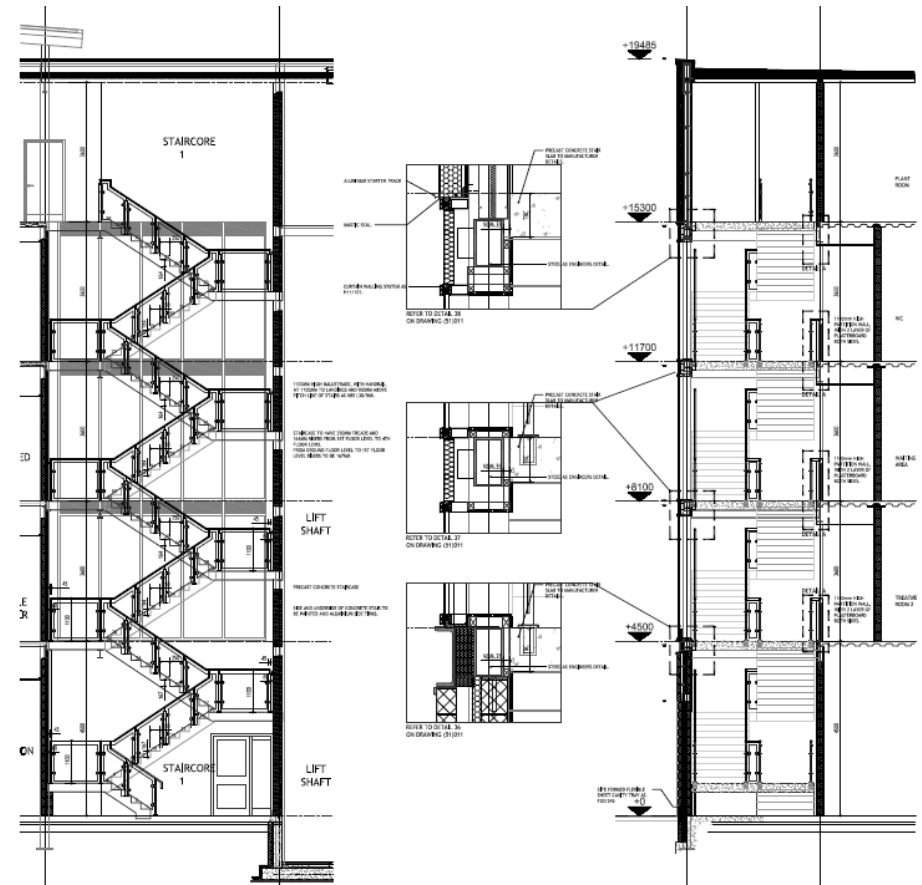
FIRST FLOOR PLAN
1/12

- ROOM SCHEDULE - FIRST FLOOR**
- 100 - WAITING AREA
 - 101 - WAITING AREA
 - 102 - WAITING AREA
 - 103 - WAITING AREA
 - 104 - WAITING AREA
 - 105 - WAITING AREA
 - 106 - WAITING AREA
 - 107 - WAITING AREA
 - 108 - WAITING AREA
 - 109 - WAITING AREA
 - 110 - WAITING AREA
 - 111 - WAITING AREA
 - 112 - WAITING AREA
 - 113 - WAITING AREA
 - 114 - WAITING AREA
 - 115 - WAITING AREA
 - 116 - WAITING AREA
 - 117 - WAITING AREA
 - 118 - WAITING AREA
 - 119 - WAITING AREA



SECOND FLOOR PLAN
1/12

- ROOM SCHEDULE - SECOND FLOOR**
- 200 - WAITING AREA
 - 201 - WAITING AREA
 - 202 - WAITING AREA
 - 203 - WAITING AREA
 - 204 - WAITING AREA
 - 205 - WAITING AREA
 - 206 - WAITING AREA
 - 207 - WAITING AREA
 - 208 - WAITING AREA
 - 209 - WAITING AREA
 - 210 - WAITING AREA
 - 211 - WAITING AREA
 - 212 - WAITING AREA
 - 213 - WAITING AREA
 - 214 - WAITING AREA
 - 215 - WAITING AREA
 - 216 - WAITING AREA
 - 217 - WAITING AREA
 - 218 - WAITING AREA
 - 219 - WAITING AREA
 - 220 - WAITING AREA
 - 221 - WAITING AREA
 - 222 - WAITING AREA
 - 223 - WAITING AREA
 - 224 - WAITING AREA



FLYING SCOTSMAN HEALTH CENTRE - DONCASTER

