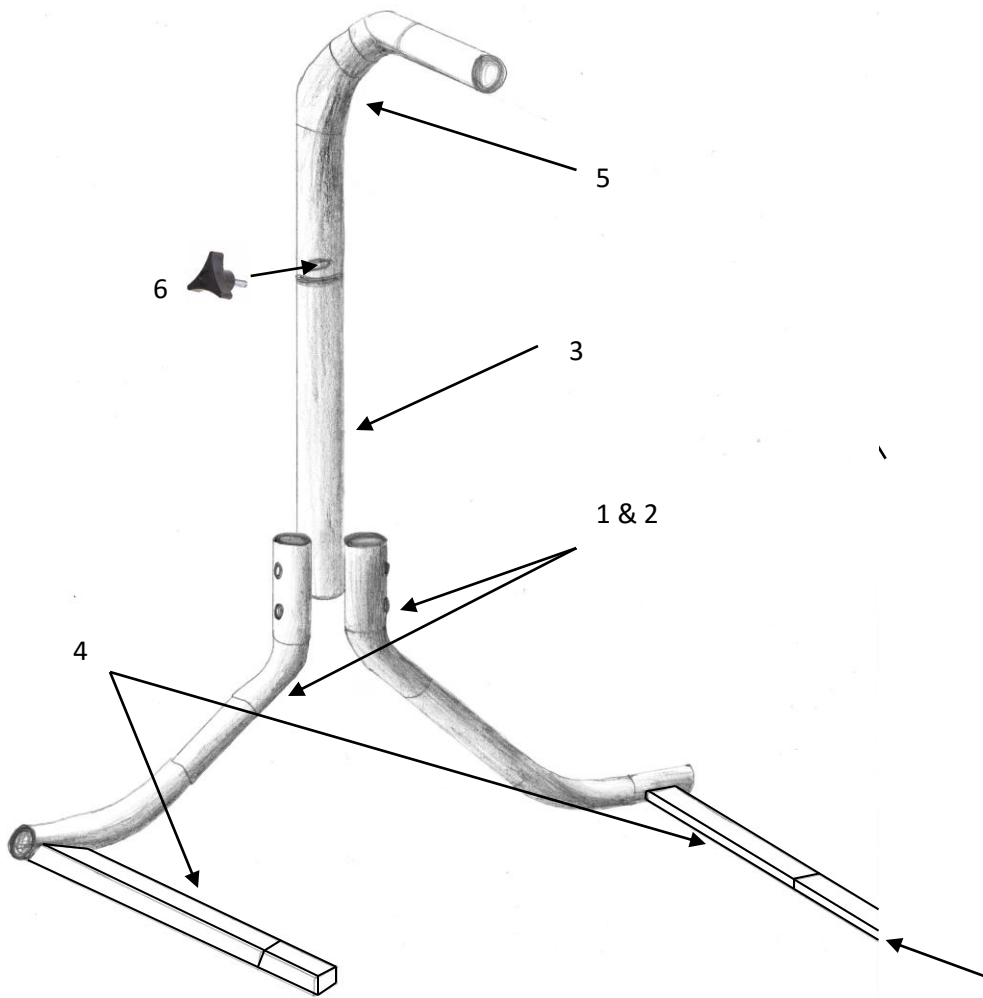


CARICARE LEG LIFTER ASSEMBLY INSTRUCTIONS



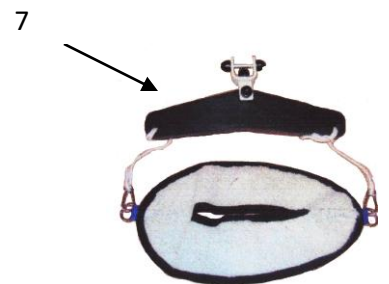
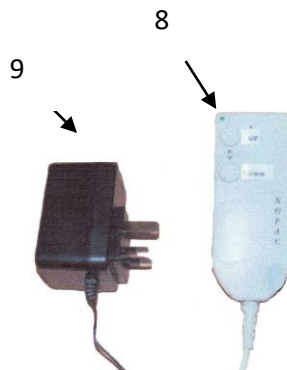
Assembly Instructions



Component Parts

- 1) Right Hand Heel
- 2) Left hand heel
- 3) Upright
- 4) Feet x 2
- 5) Goose Neck incorporating motor housing
- 6) Safety screw x 1
- 7) Spreader bar assembly including lifting tape shackle, spreader bar, cords x 2, dog clips x 2, foot harness
- 8) Handset controller
- 9) Battery charger
- 10) Attachment rods x 2
- 11) Locking nuts x 2
- 12) Plastic nut covers x 4
- 13) Self locking screws
- 14) Base extension leg available for double beds

10,11,12,13



CARICARE LEG LIFTER

ASSEMBLY INSTRUCTIONS

A) Attach upright (3) to right hand heel (1) and left hand heel (2) , With 2 x Attachment rods (10) , Fix 2 x locking nuts (11) , Tighten and fit 4 x plastic nut covers (12)

B) Fit 2 x feet (4) and fix with 2 x self locking screws (13)

C) Stand unit in upright position

D) Fit goose neck (5) into upright note: Goose neck is fitted with motor housing

E) Fit safety screw (6) into slot in goose neck (5)

Ensure goose neck (including motor housing) swings in the correct direction

F) Connect handset (8) in control panel on the underside of motor unit

G) Attach lifting tape shackle complete with spreader bar assembly (7) to lifting tape on motor housing unit

NOTE:

Caricare leg lifter should be situated on the opposite side of the bed to the required lift of the patient legs with base under bed.

The Caricare leg lifter is now operational. You should now test the working unit, Switch the unit on by pulling out the RED emergency stop button on front motor unit. See the user guide for full operating instructions.

Motor housing consists of:

Motor, lifting tape, batteries x 2, emergency stop (red button) on front of the unit.

This unit is normally fitted complete on delivery with cored and 2 dog clips, foot/heel harness and handset controller

Always leave the charger connected to the Caricare Leg Lifter, and ensure it is on charge.