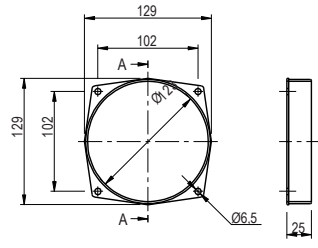
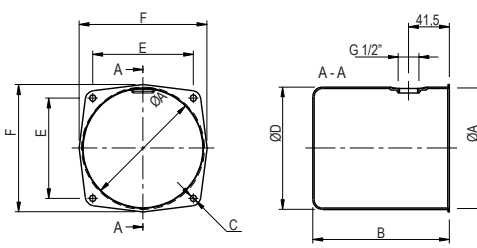
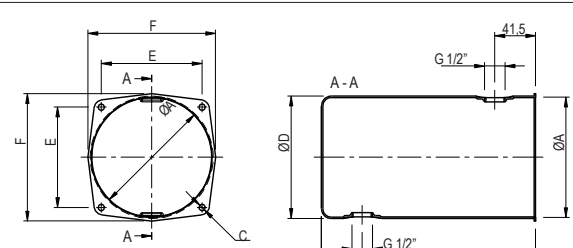
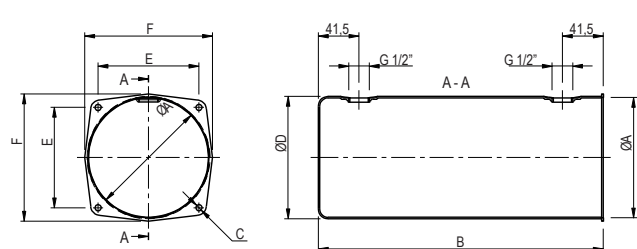
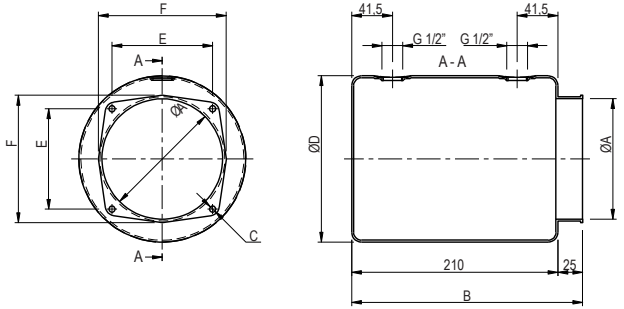
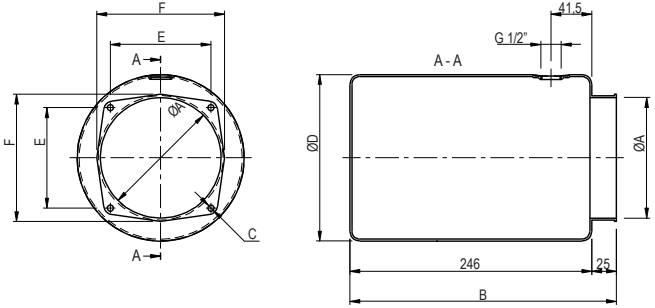
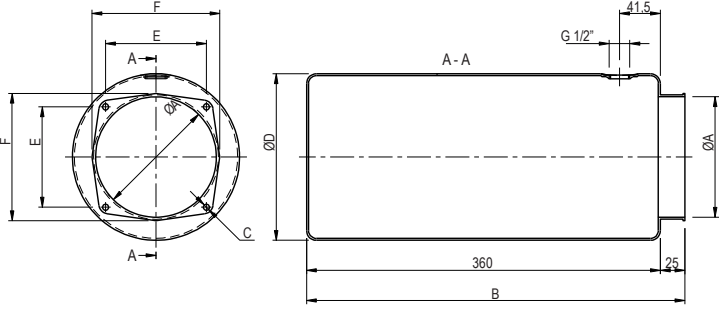
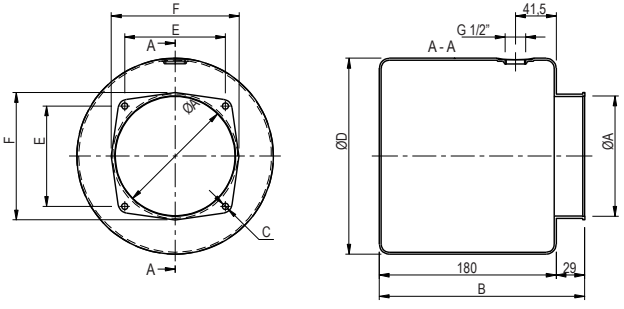
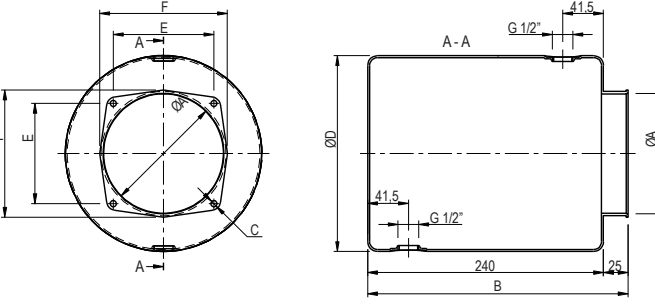


| | | | | | | | | Colletette à souder acier Steel collar for tanks |
|------|--|--|--|--|--|--|--|--|
| CODE | | | | | | | | Détails Drawing |
| SL0 | | | | | | | |  |

| | | | | | | | | Réservoirs aciers Steel tanks |
|------|--------------------------------|-----|-----|-----|-----|-------|-----|--|
| CODE | Tank capacity Volume [l] | A | B | C | D | E | F | Détails Drawing |
| SL01 | 1 | 123 | 139 | 6.5 | 125 | 102,5 | 130 |  |
| SL03 | 2 | 123 | 218 | 6.5 | 125 | 102,5 | 130 |  |
| SL04 | 3 | 123 | 290 | 6.5 | 123 | 102,5 | 130 |  |

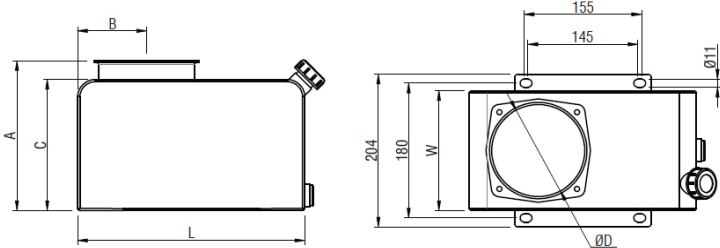
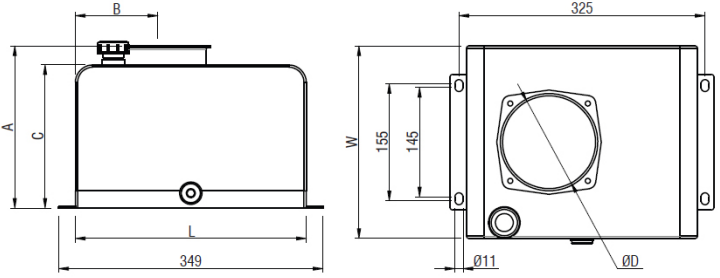
Réservoirs aciers
Steel tanks

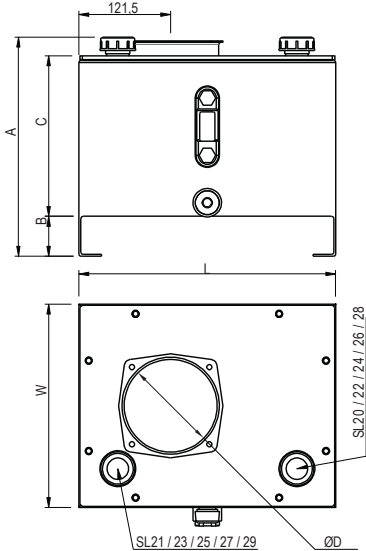
| CODE | Tank capacity Volume [l] | A | B | C | D | E | F | Détails Drawing |
|------|--------------------------|-----|-----|-----|-----|-------|-----|--|
| SL06 | 4 | 123 | 235 | 6.5 | 170 | 102,5 | 130 |  |
| SL07 | 5 | 123 | 271 | 6.5 | 170 | 102,5 | 130 |  |
| SL10 | 8 | 123 | 385 | 6.5 | 170 | 102,5 | 130 |  |
| SL08 | 5 | 123 | 209 | 6,5 | 200 | 102,5 | 130 |  |
| SL09 | 7 | 123 | 265 | 6.5 | 200 | 102,5 | 130 |  |

Rev. 1.1

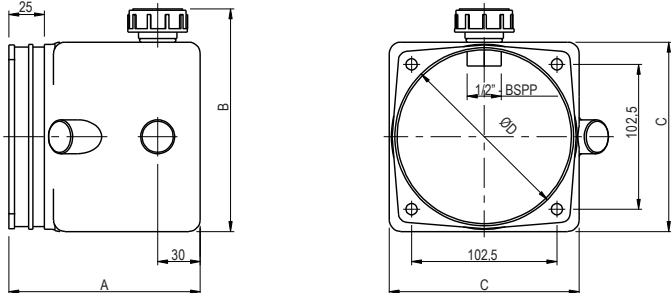
| | | | | | | | | Réservoirs aciers Steel tanks |
|------|-----------------------------|-----|-----|-----|-----|-------|-----|----------------------------------|
| CODE | Tank capacity Volume [l] | A | B | C | D | E | F | Détails Drawing |
| SL11 | 8 | 123 | 270 | 6.5 | 200 | 102.5 | 130 | |
| SL12 | 23 | 123 | 490 | 9 | 285 | 200 | 270 | |
| SL13 | 10 | 123 | 340 | 9 | 322 | 150 | 220 | |
| SL14 | 15 | 123 | 490 | 9 | 472 | 150 | 220 | |

Rev. 1.1

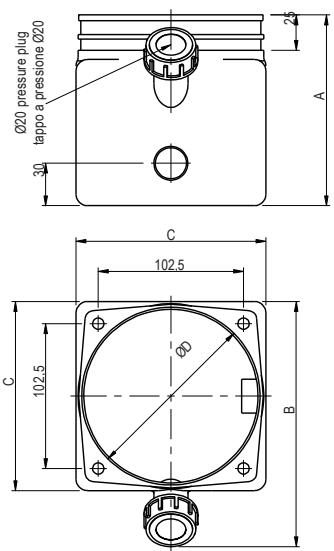
| | | | | | | | | Réservoirs aciers Steel tanks |
|------|-----------------------------|-----|-----|-----|-----|-----|-----|---|
| CODE | Tank capacity Volume [l] | A | B | C | D | W | L | Détails Drawing |
| SL30 | 7 | 200 | 91 | 175 | 123 | 160 | 300 |  |
| SL31 | 12 | 210 | 109 | 185 | 123 | 255 | 305 |  |
| SL32 | 15 | 260 | 109 | 235 | 123 | 255 | 305 | |
| SL33 | 20 | 335 | 109 | 310 | 123 | 255 | 305 | |

| | | | | | | | | Steel tanks Serbatoi in lamiera |
|------|-----------------------------|-----|----|-----|-----|-----|-----|--|
| CODE | Tank capacity Volume [l] | A | B | C | D | W | L | Drawing Disegno |
| SL20 | 20 | 285 | 53 | 207 | 123 | 270 | 340 |  |
| SL21 | | | | | | | | |
| SL22 | 30 | 405 | 58 | 322 | 123 | 270 | 340 | |
| SL23 | | | | | | | | |
| SL24 | 45 | 344 | 58 | 261 | 123 | 320 | 540 | |
| SL25 | | | | | | | | |
| SL26 | 60 | 435 | 58 | 352 | 123 | 320 | 540 | |
| SL27 | | | | | | | | |
| SL28 | 90 | 645 | 60 | 557 | 123 | 320 | 540 | |
| SL29 | | | | | | | | |

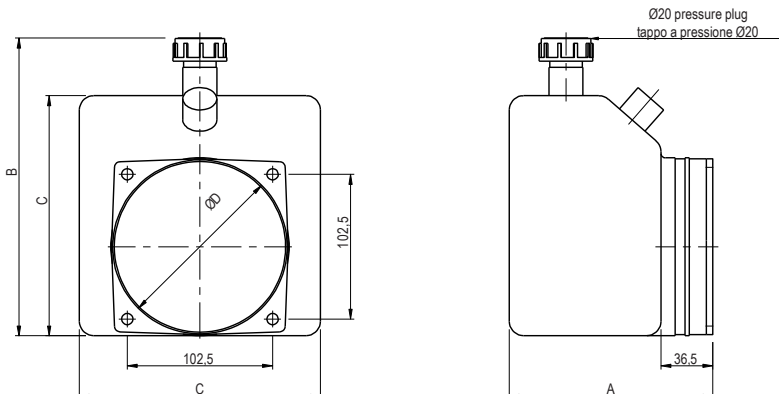
| Réservoirs plastiques version horizontale Plastic tanks: horizontal version | | | | | | |
|--|--------------------------|-----|-----|-----|-----|---|
| CODE | Tank capacity Volume [L] | A | B | C | D | Caractéristiques |
| SP01D | 1 | 135 | 158 | 134 | 123 | Temperature range: -15°C ÷ 70°C Materials: HDPE & PP (polypropilene) Color: neutral transparent |
| SP02D | 1,8 | 180 | 158 | 134 | 123 | |
| SP03D | 2,5 | 240 | 158 | 134 | 123 | |
| SP04D | 3,5 | 280 | 158 | 134 | 123 | |
| SP05D | 4,0 | 330 | 158 | 134 | 123 | |



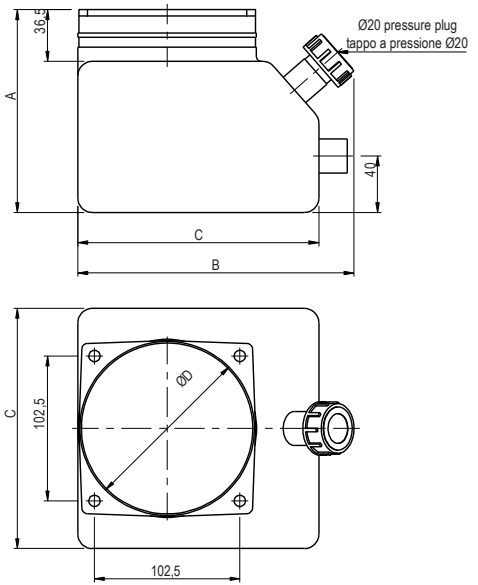
| Réservoirs plastiques version verticale Plastic tanks: vertical version | | | | | | |
|--|--------------------------|-----|-----|-----|-----|---|
| CODE | Tank capacity Volume [l] | A | B | C | D | Caractéristiques |
| SP01V | 1 | 135 | 174 | 134 | 123 | Temperature range: -15°C ÷ 70°C Materials: HDPE & PP (polypropilene) Color: neutral transparent |
| SP02V | 1,8 | 180 | 174 | 134 | 123 | |
| SP03V | 2,5 | 240 | 174 | 134 | 123 | |
| SP04V | 3,5 | 280 | 174 | 134 | 123 | |
| SP05V | 4,0 | 330 | 174 | 134 | 123 | |



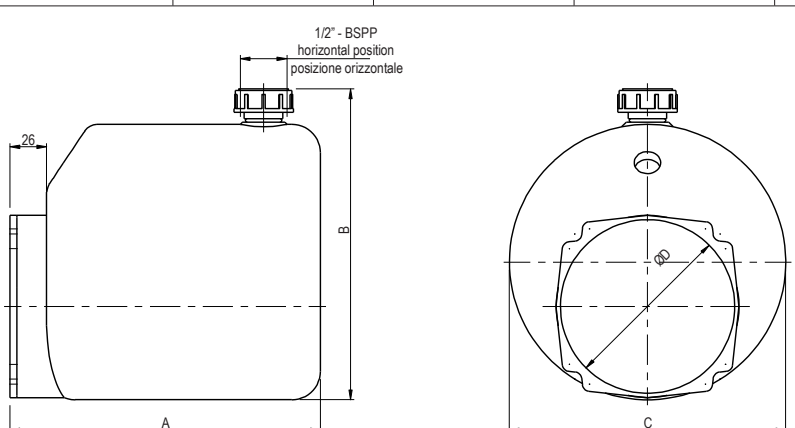
| Réservoirs plastiques version horizontale Plastic tanks: horizontal version | | | | | | |
|--|--------------------------|-----|-----|-----|-----|---|
| CODE | Tank capacity Volume [l] | A | B | C | D | Caractéristiques |
| SP06H | 1.5 | 145 | 211 | 170 | 123 | Temperature range: -15°C ÷ 70°C Materials: HDPE & PP (polypropilene) Color: neutral transparent |
| SP07H | 3 | 200 | 211 | 170 | 123 | |
| SP08H | 5 | 287 | 211 | 170 | 123 | |
| SP09H | 8 | 377 | 211 | 170 | 123 | |
| SP10H | 12 | 520 | 211 | 170 | 123 | |



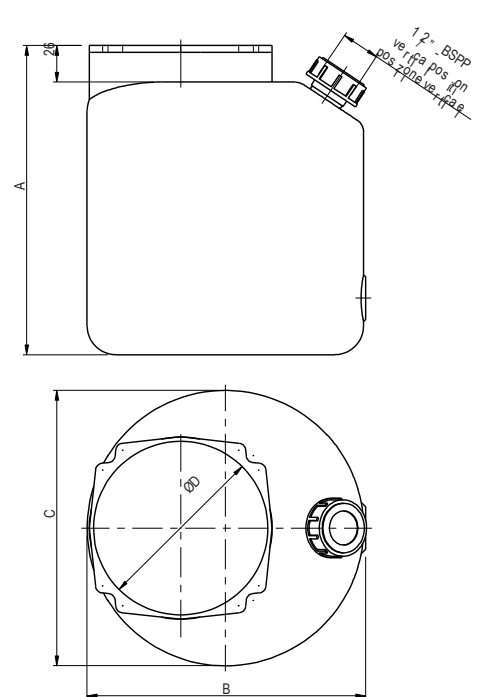
| Réservoirs plastiques version verticale Plastic tanks: vertical version | | | | | | |
|--|--------------------------|-----|-----|-----|-----|---|
| CODE | Tank capacity Volume [l] | A | B | C | D | Caractéristiques |
| SP06V | 1.5 | 145 | 195 | 170 | 123 | Temperature range: -15°C ÷ 70°C Materials: HDPE & PP (polypropilene) Color: neutral transparent |
| SP07V | 3 | 200 | 195 | 170 | 123 | |
| SP08V | 5 | 287 | 195 | 170 | 123 | |
| SP09V | 8 | 377 | 195 | 170 | 123 | |
| SP10V | 12 | 520 | 195 | 170 | 123 | |



| Réservoirs plastiques version horizontale Plastic tanks: horizontal version | | | | | | |
|--|--------------------------|-----|-----|------|-----|---|
| CODE | Tank capacity Volume [l] | A | B | C | D | Caractéristiques |
| SP15H | 5 | 219 | 220 | Ø195 | 123 | Temperature range: -15°C ÷ 70°C Materials: HDPE & PP (polypropilene) Color: neutral transparent |
| SP16H | 7 | 271 | 220 | Ø195 | 123 | |
| SP17H | 8 | 323 | 220 | Ø195 | 123 | |
| SP18H | 11 | 453 | 220 | Ø195 | 123 | |

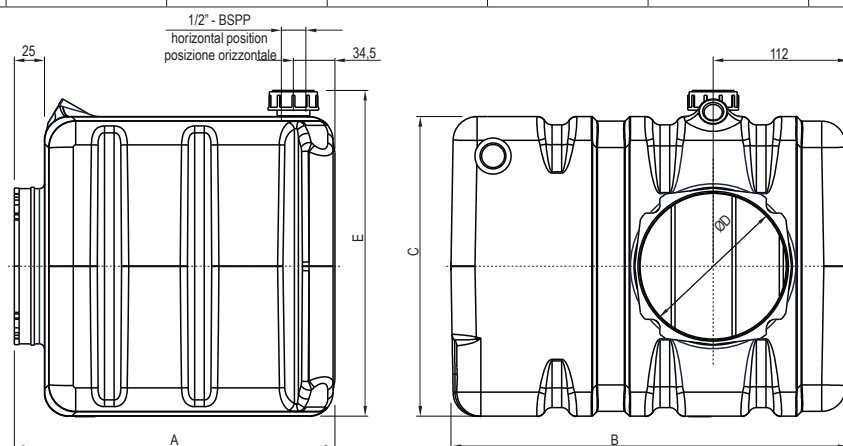


| Réservoirs plastiques version verticale Plastic tanks: vertical version | | | | | | |
|--|--------------------------|-----|-----|------|-----|---|
| CODE | Tank capacity Volume [l] | A | B | C | D | Caractéristiques |
| SP15V | 5 | 219 | 197 | Ø195 | 123 | Temperature range: -15°C ÷ 70°C Materials: HDPE & PP (polypropilene) Color: neutral transparent |
| SP16V | 7 | 271 | 197 | Ø195 | 123 | |
| SP17V | 8 | 323 | 197 | Ø195 | 123 | |
| SP18V | 11 | 453 | 197 | Ø195 | 123 | |



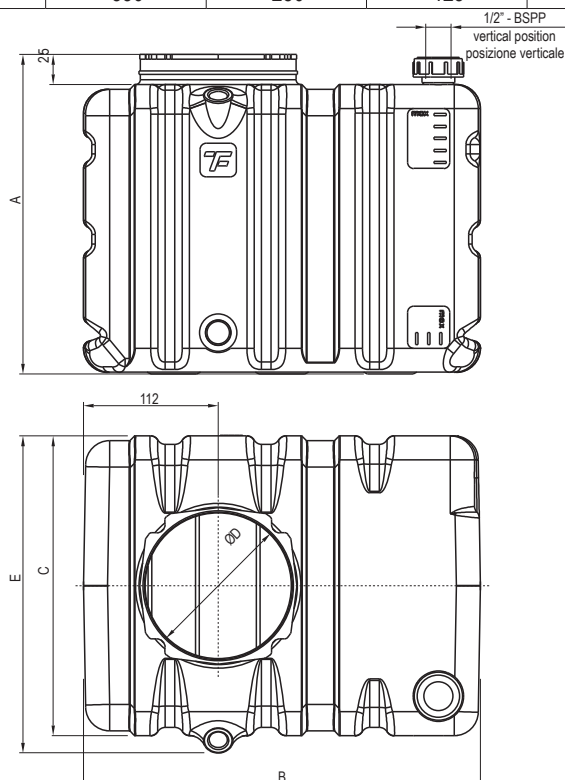
Réservoirs plastiques: version horizontale
Plastic tanks: horizontal version

| CODE | Tank capacity Volume [l] | A | B | C | D | E | Caractéristiques |
|-------|--------------------------|-----|-----|-----|-----|-----|---|
| SP30H | 10 | 192 | 330 | 250 | 123 | 271 | Temperature range: -15°C ÷ 70°C Materials: HDPE & PP (polypropilene) Color: neutral transparent |
| SP31H | 12 | 217 | 330 | 250 | 123 | 271 | |
| SP32H | 15 | 267 | 330 | 250 | 123 | 271 | |
| SP33H | 20 | 332 | 330 | 250 | 123 | 271 | |

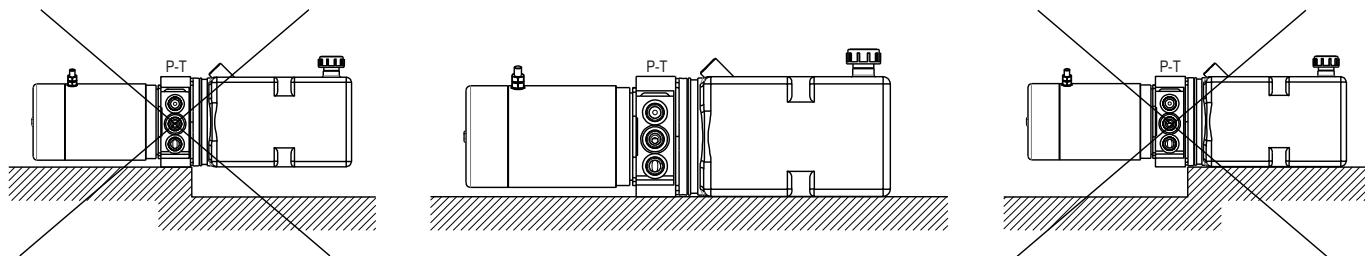


Réservoirs plastiques: version verticale
Plastic tanks: vertical version

| CODE | Tank capacity Volume [l] | A | B | C | D | E | Caractéristiques |
|-------|--------------------------|-----|-----|-----|-----|-----|---|
| SP30V | 10 | 192 | 330 | 250 | 123 | 264 | Temperature range: -15°C ÷ 70°C Materials: HDPE & PP (polypropilene) Color: neutral transparent |
| SP31V | 12 | 217 | 330 | 250 | 123 | 264 | |
| SP32V | 15 | 267 | 330 | 250 | 123 | 264 | |
| SP33V | 20 | 332 | 330 | 250 | 123 | 264 | |



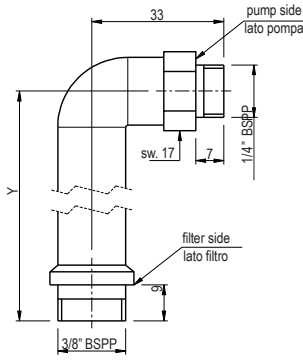
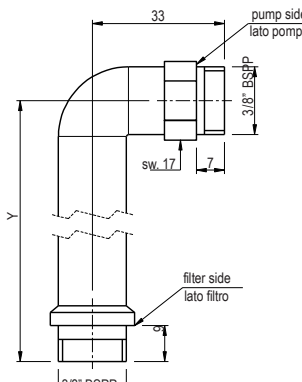
Position correcte de montage pour réservoirs plastiques
Correct mounting position for plastic tanks

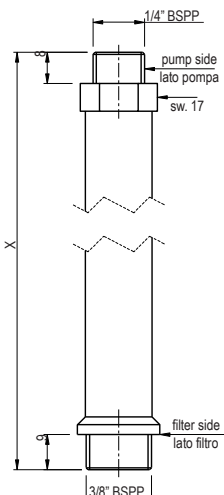
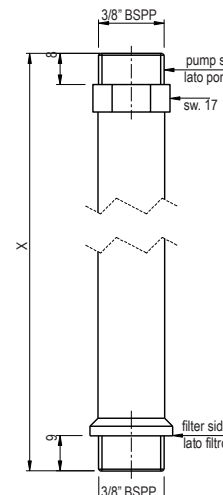


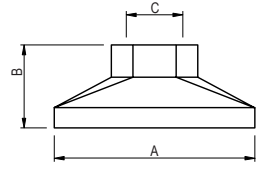
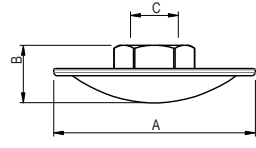
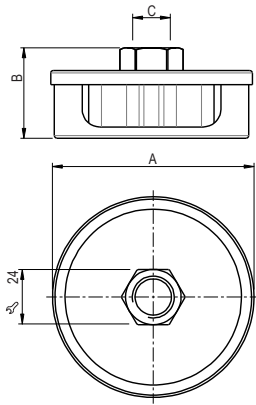
Kits pour montage réservoirs
Tanks mounting kit

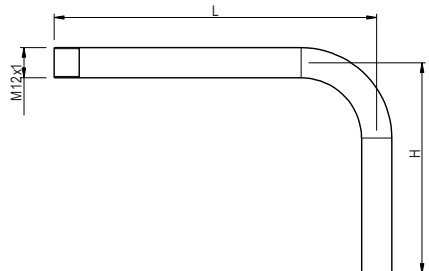
| CODE | Type réservoir Tank type | Détails Drawing |
|------------|--|--------------------|
| KS1 | SP01 - SP02 - SP03 - SP04 - SP05 SP06 - SP07 - SP08 - SP09 - SP10 | |
| KS2 | SP15 - SP16 - SP17 - SP18 | |

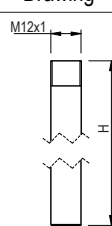
Rev. 1.1

| | | | Tubes aspiration plastiques pour réservoirs montage horizontal Plastic suction pipes for horizontal tanks | |
|------|--------|-----------|--|---|
| CODE | Y [mm] | 4C series | 8C series | |
| 4C35 | 8C35 | 35 |  |  |
| 4C40 | 8C40 | 40 | | |
| 4C50 | 8C50 | 50 | | |
| 4C58 | 8C58 | 58 | | |
| 4C68 | 8C68 | 68 | | |
| 4C77 | 8C77 | 77 | | |
| 4C89 | 8C89 | 89 | | |

| | | | | | Tubes aspiration plastiques pour réservoirs montage vertical Plastic suction pipes for vertical tanks | |
|-------|--------|---|-------|--------|--|--|
| CODE | X [mm] | 4D series | CODE | X [mm] | 8D series | |
| 4D30 | 30 |  | 8D50 | 50 |  | |
| 4D43 | 43 | | 8D75 | 75 | | |
| 4D72 | 72 | | 8D100 | 100 | | |
| 4D87 | 87 | | 8D125 | 125 | | |
| 4D96 | 96 | | 8D150 | 150 | | |
| 4D114 | 114 | | 8D170 | 170 | | |
| 4D132 | 132 | | 8D185 | 185 | | |
| 4D147 | 147 | | 8D200 | 200 | | |
| 4D172 | 172 | | 8D215 | 215 | | |
| 4D187 | 187 | | 8D230 | 230 | | |
| 4D222 | 222 | | 8D245 | 245 | | |
| 4D237 | 237 | | 8D260 | 260 | | |
| | | | 8D280 | 280 | | |
| | | | 8D300 | 300 | | |
| | | 8D320 | 320 | | | |
| | | 8D340 | 340 | | | |
| | | 8D370 | 370 | | | |

| | | | | | | Crépines d'aspiration Suction filters |
|-------------|--------|--------|--------|-------------|----------------------|---|
| CODE | A [mm] | B [mm] | C [mm] | Flow [L/mn] | Filtering Filtraggio | Détails Drawing |
| FP01 | 59 | 24,5 | 1/4" | 15 | 90 μ |  |
| FP02 | 59 | 24,5 | 3/8" | 15 | 90 μ | |
| FM01 | Ø63 | 18,5 | 1/4" | 5 | 90 μ |  |
| FM02 | Ø63 | 20 | 3/8" | 8 | 90 μ | |
| FM21 | Ø80 | 26 | 1/4" | 8 | 90 μ |  |
| FM22 | Ø80 | 36 | 3/8" | 10 | 90 μ | |

| | | | Tubes refoulement aciers pour réservoirs montage horizontal Steel return pipes for horizontal tanks |
|--------------|--------|--------|--|
| CODE | L [mm] | H [mm] | Détails Drawing |
| SC128 | 128 | 84 |  |
| SC114 | 114 | 39 | |
| SC164 | 164 | 84 | |

| | | Tubes refoulement aciers pour réservoirs montage vertical Steel return pipes for vertical tanks |
|--------------|--------|--|
| CODE | H [mm] | Détails Drawing |
| SD080 | 80 |  |
| SD150 | 150 | |
| SD200 | 200 | |
| SD300 | 300 | |
| SD400 | 400 | |