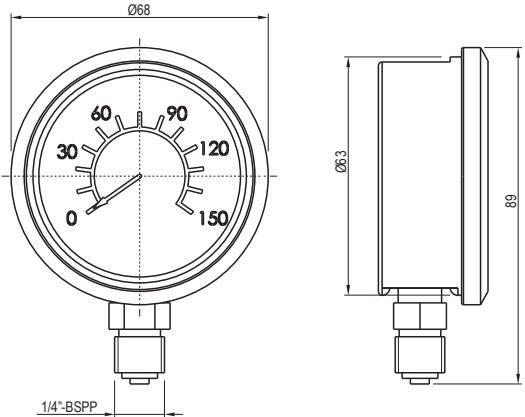
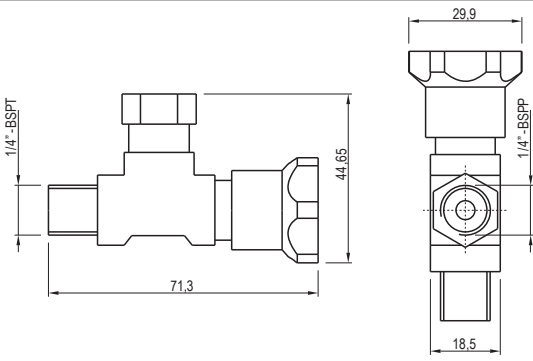
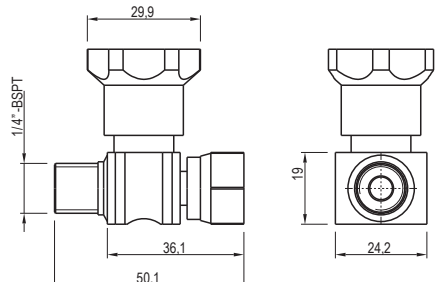
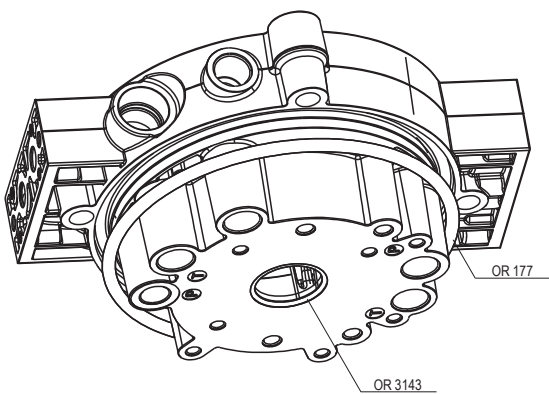


		Manomètre + Isolateur Gauge + Gauge cock
CODE	Description	Détails Drawing
M060	0 - 60 Bar pressure gauge Ø63mm. - 1/4"	
M150	0 - 150 Bar pressure gauge Ø63mm. - 1/4"	
M250	0 - 250 Bar pressure gauge Ø63mm. - 1/4"	
M400	0 - 400 Bar pressure gauge Ø63mm. - 1/4"	
E90	1/4" - 90° pressure gauge cock	
E	1/4" - pressure gauge cock	

		O-Ring
CODE	Description	Détails Drawing
OR3143	O-Ring between pump and manifold O-Ring tra pompa e collettore	
OR177	O-Ring between tank and manifold O-Ring tra serbatoio e collettore	