

5 N; @5 7 C A D C G H 9 G' @H8 .

Unit 5 Stour Valley Business Centre, Brundon Lane, Sudbury CO10 7GB
Tel: 01787 377 322 - Fax: 01787 377 433
info@angliacomposites.co.uk - www.angliacomposites.co.uk

SAFETY GATE DESIGN CONSIDERATIONS

--- ATTACHES EASILY TO ---

ANGLE IRON



FLAT BAR



WELDED PLATE

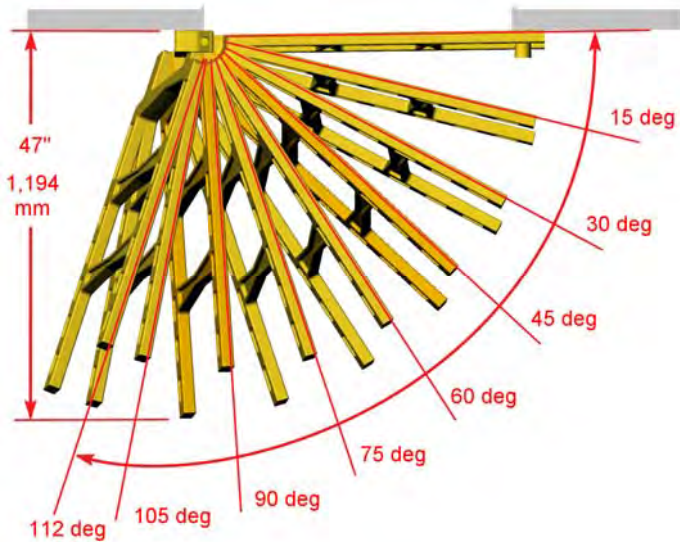


ROUND AND SQUARE TUBE



INTREPID 950mm MAXIMUM SWING ROTATION, RISE, AND KICK-OUT

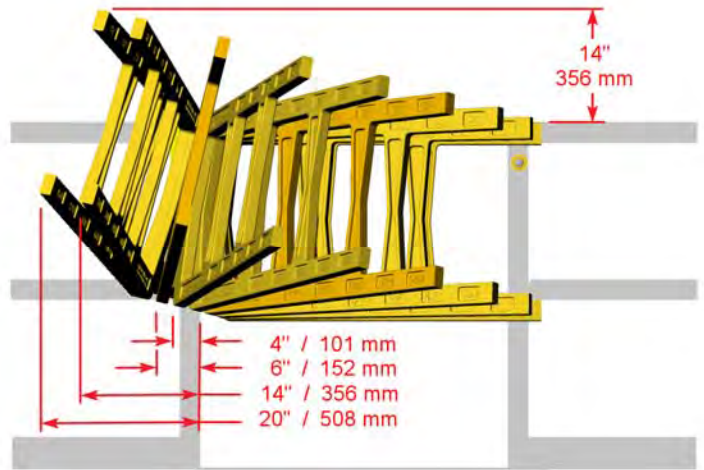
Fully Open = 112 degrees



DESIGN CONSIDERATIONS WHEN GATE IS IN A TIGHT AREA

When the Safety Gate is to be mounted in a tight space, such as a corner or a narrow catwalk area, the designer must be aware of both the rise and the kick-out caused by the swing rotation of the self-closing gate. This is depicted in these two drawings.

INTREPID 950mm Maximum Rise = 356 mm



Please allow as much room as possible so that the gate can swing fully open. However if space is tight, then try to provide at least a 100mm – 150mm corner so that the gate can swing open as much as 75° – 90°.

ANGLIA COMPOSITES LTD

Unit 5 Stour Valley Business Centre, Brundon Lane, Sudbury CO10 7GB Tel:
01787 377 322 - Fax: 01787 377 433
info@angliacomposites.co.uk - www.angliacomposites.co.uk

SAFETY GATE TYPICAL INSTALLATION

MOUNT HINGE

Mount hinge as close as possible to the top of guardrail. Ideally the top bolt hole should be located 25mm down from top rail, but this may need to be adjusted depending upon the guardrail members. Typical dims shown below.

Position two 13mm holes on 159mm centers for two M12 carriage bolts (100mm top and 125mm bottom). Holes should be positioned to allow clearance for tightening nuts.



MOUNT BLOCK

Mount the block so that it is positioned at least 25mm BELOW the closed bar.

Position one 13mm hole for mounting the block with the M12 x 100mm carriage bolt.

Block should not interfere with the opening or closing of the gate. It is intended to provide vertical support in an emergency. The block should be located at least 125mm below where the top of the hinge is positioned.

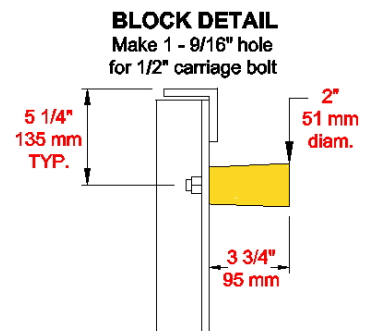
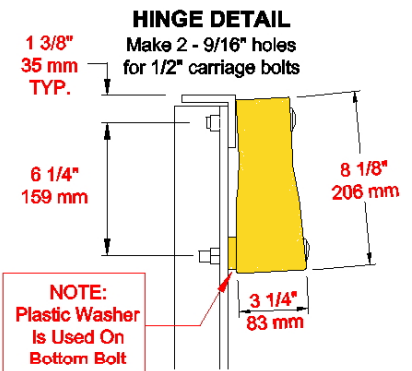
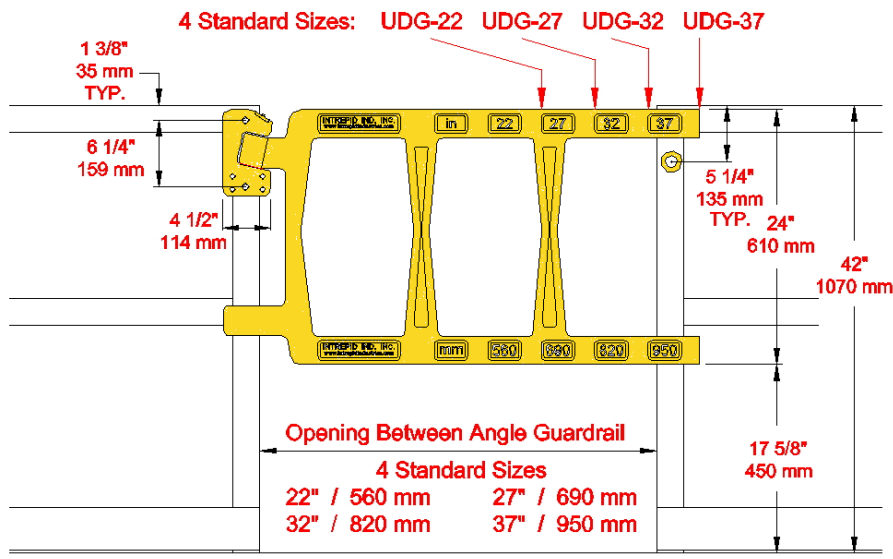


REMEMBER — YOU MUST MAKE SURE:

- Safety Gate is no more than 1100mm above the platform surface to avoid too large of an opening below the gate
- Double bar gate is long enough to contact, and extend past, opposite side guardrail post by 25mm min.
- The block is provided to resist vertical deflection. The block SHOULD NOT MAKE CONTACT WITH THE GATE OR INTERFERE WITH IT SWINGING CLOSED

TYPICAL INSTALLATION OF UDG-37 Universal Double Bar Safety Gate

RIGHT HAND SWING INSTALLATION on Angle Iron Guardrail
NOTE: Only one Hinge and one Block are required for the UDG Gate



ANGLIA COMPOSITES LTD

Unit 5 Stour Valley Business Centre, Brundon Lane, Sudbury CO10 7GB

Tel: 01787 377 322 - Fax: 01787 377 433

info@angliacomposites.co.uk - www.angliacomposites.co.uk

SAFETY GATE ADD-ON INSTALLATION KITS

Pipe or Square Tube Guardrail Attachment

These add-on kits allow for easy installation onto both pipe and square tube. The pipe kit attaches to either 38mm, 50mm or 60mm pipe. The square tube kit can attach to square tube 38mm, 50mm or 60mm. Both are great alternatives to welding plate. Instructions below are for the pipe kit.



INSTALLATION INSTRUCTIONS

HINGE INSTALLATION

Position top of the metal hinge angle plate 25mm below top of the guardrail

Attach plate by putting the two carriage bolts through the plate and tighten nuts.



Install assembly onto guardrail using 2 No M8 round or square U bolts. Loosely install M8 nuts. Once in correct position tighten all nuts.

SUPPORT BLOCK INSTALLATION

Install the block and plate assembly onto the opposite guardrail post, using round or square M8 U bolt. Bolt the support block to the plate using one M12 x 100 bolt (supplied).

Loosely install two M8 nuts to the U bolts. Once the block is positioned approximately 25mm below the bar of the gate, tighten the nuts.



NOTE: The bar of the gate should not rest on the block. Likewise, the block should not interfere with the opening or closing of the gate. It is intended to provide vertical support in an emergency.

HoldTight Magnet Closure Kit

The add-on HoldTight Magnet Closure Kit provides a way to hold the Safety Gate securely in a closed position. All parts of the kit have been designed and tested for outdoor use and exposure. In fact, it has successfully held the Intrepid Safety Gate closed on an offshore rig along the Canadian-Atlantic coastline where the winds are around 30 knots with gusts of 70-80 knots!

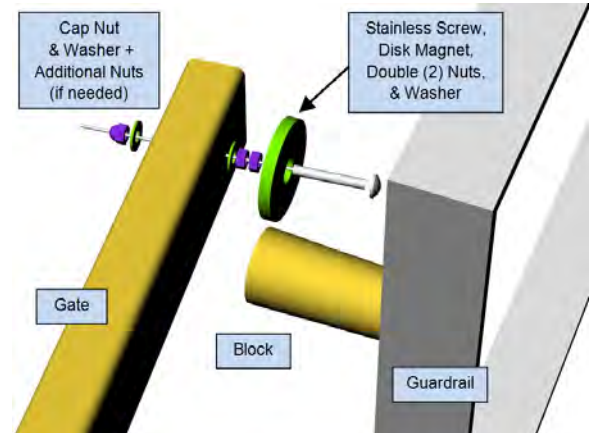


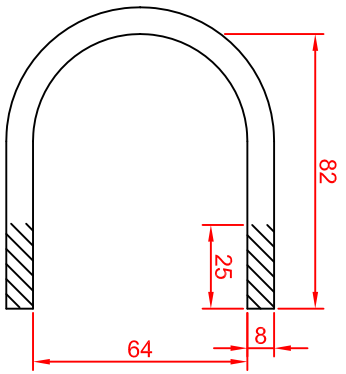
INSTALLATION INSTRUCTIONS

Determine where the Safety Gate contacts the vertical guardrail post. Mark and drill a 6mm hole through the top bar of Safety Gate. Since the bar has both recessed and solid areas along its length, use the shorter machine screw for the recessed areas and the longer machine screw for the solid sections.

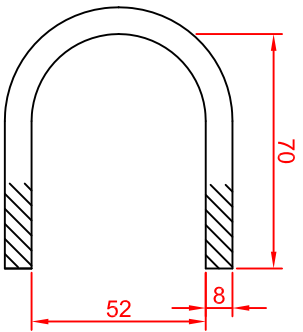
Two nuts are used to secure the magnetic disk. In this way, the magnet can "float" or "wobble", and still make good, flat contact with the metal guardrail post.

Once the screw, nuts, and magnet are together, use the washer, (plus additional nuts, if required) and the cap nut to secure the unit to the gate.

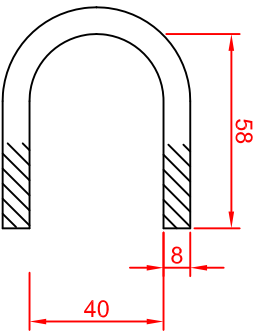




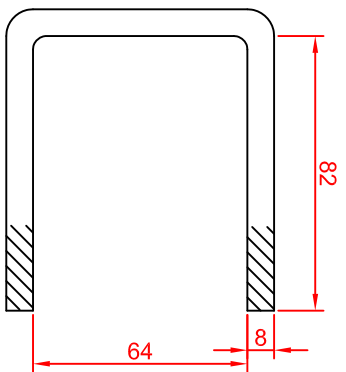
Title: M8 (2.5) Round U Bolt
Thread: M8
Material: Mild steel galvanised or zinc plate.



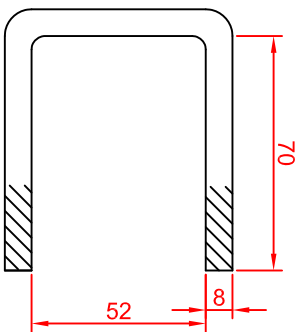
Title: M8 (2.0) Round U Bolt
Thread: M8
Material: Mild steel galvanised or zinc plate.



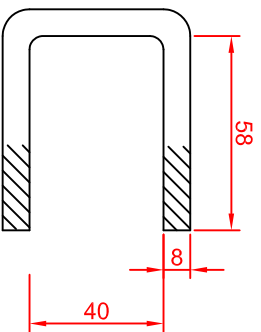
Title: M8 (1.5) Round U Bolt
Thread: M8
Material: Mild steel galvanised or zinc plate.



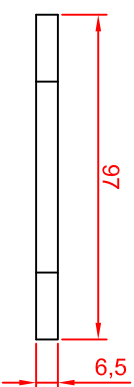
Title: M8 (2.5) Square U Bolt
Thread: M8
Material: Mild steel galvanised or zinc plate.



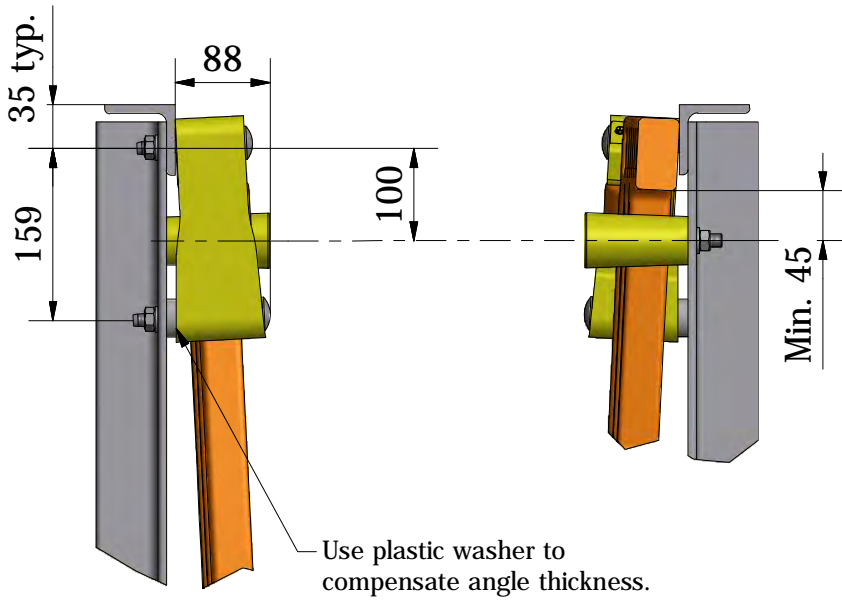
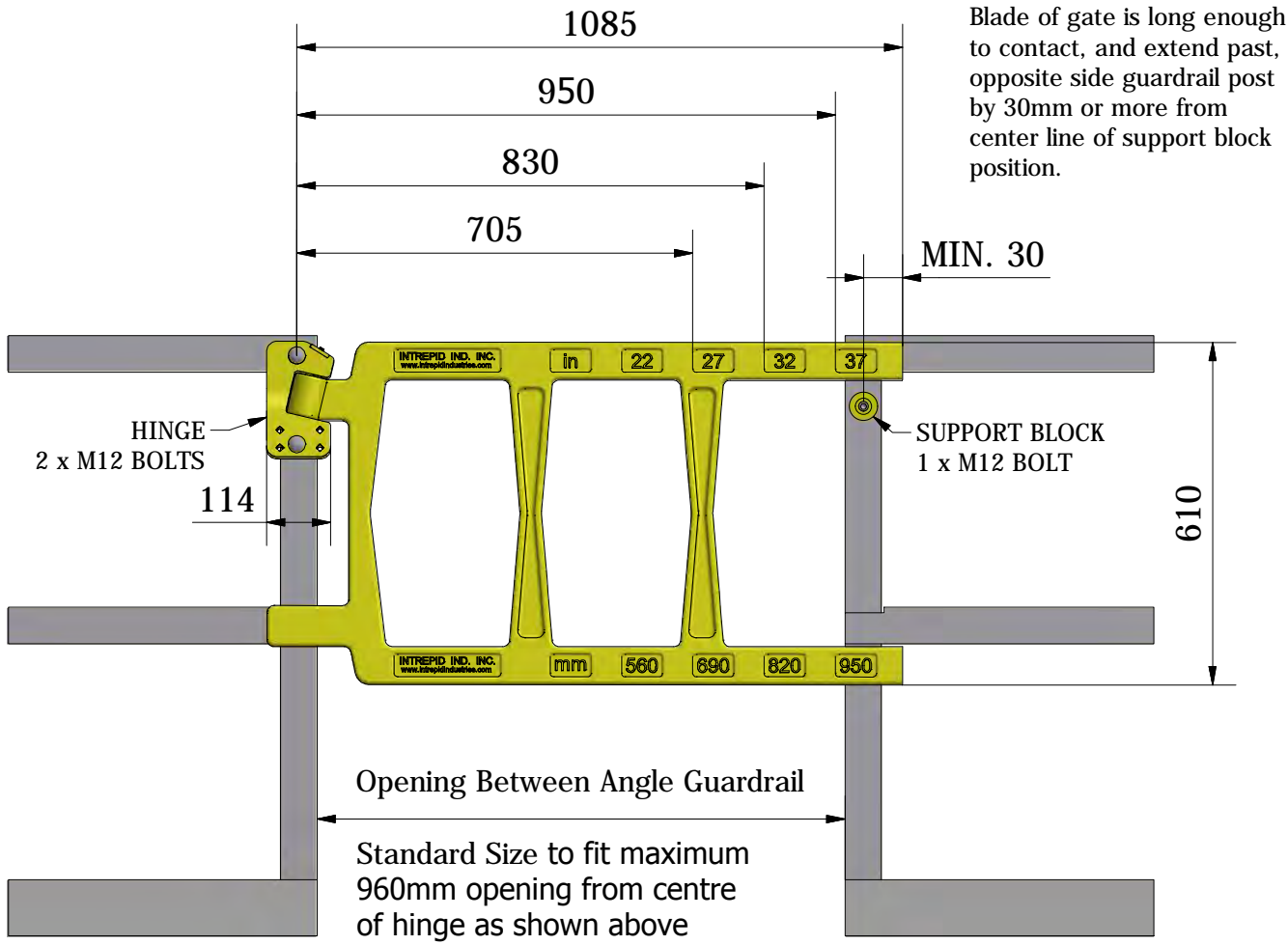
Title: M8 (2.0) Square U Bolt
Thread: M8
Material: Mild steel galvanised or zinc plate.



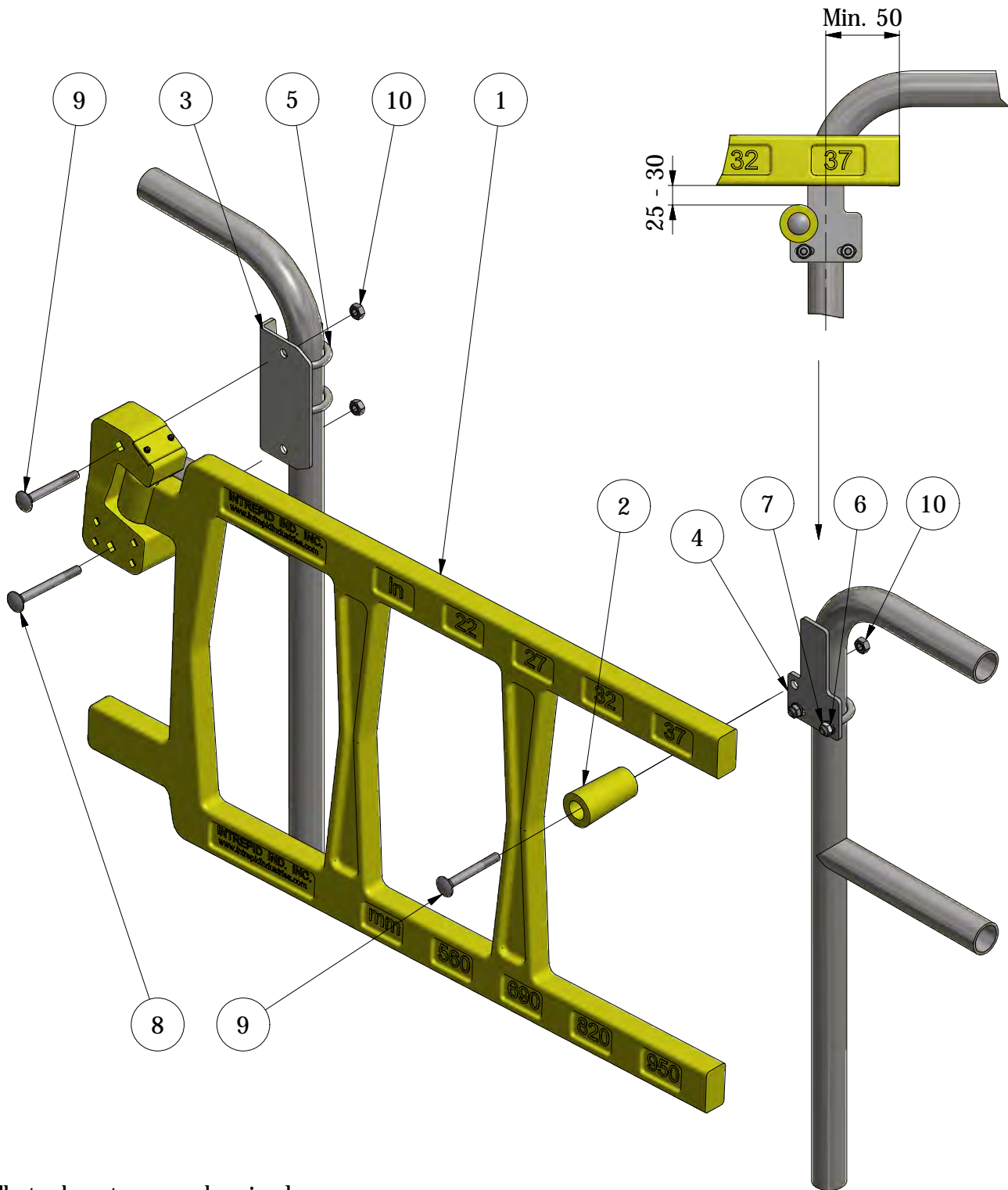
Title: M8 (1.5) Square U Bolt
Thread: M8
Material: Mild steel galvanised or zinc plate.



Title: Gate Stop Fixing Plate
Material: Mild steel galvanised or zinc plate.



Support block is mounted below the top rail of gate to prevent vertical deflection. IT SHOULD NOT MAKE CONTACT WITH THE GATE OR INTERFERE WITH IT SWINGING CLOSED. Field installations: simply mount the block at least 45mm BELOW the closed bar.



All steel parts are galvanized

5	3	U-bolt M8	10	3	Hex Nut M12
4	1	Bracket, support block	9	2	Carriage bolt M12 x 100mm
3	1	Bracket, gate	8	1	Carriage bolt M12 x 125mm
2	1	Support block, Safety Gate	7	6	Hex Nut M8
1	1	Safety Gate	6	6	Washer M8
ITEM	QTY	DESCRIPTION	ITEM	QTY	DESCRIPTION
PARTS LIST			PARTS LIST		
			Round Tube Kit		
			Edition		Sheet
			6		1 / 1