

EOS 46.U Underbench Heaters - heater supplied with 15kg Sauna Rock



High specification German manufacture with outer/inner shells made from stainless steel.
Heater is the "UK Version" with UK version elements.
Heater supplied with 15kg of sauna rock, & includes Safety Grille & Water Infusion Kit (funnel with connection hose).

| Code | Description | Price |
|---------|---|----------|
| 46 U 06 | 6kW Under-bench Heater c/w 6 x 1000w elements (EOS-1000) | 1,400.00 |
| 46 U 08 | 8kW Under-bench Heater c/w 8 x 1000w elements (EOS-1000) | 1,500.00 |
| 46 U 09 | 9kW Under-bench Heater c/w 9 x 1000w elements (EOS-1000) | 1,600.00 |
| 46 U 12 | 12kW Under-bench Heater c/w 8 x 1500w elements (EOS-1001) | 1,700.00 |



| Code | Replacement Spares | Price Each |
|----------|--|------------|
| EOS-1000 | 1000w Replacement Element (UK version) | 70.00 |
| EOS-1001 | 1500w Replacement Element (UK version) | 80.00 |

EOS-1000 Element

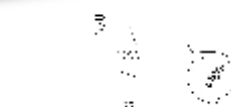
EOS Bi-O Mat U Underbench Heaters - with side-integrated evaporator



Under-bench heater with side-integrated evaporator pan with 1500w heating element.
Heater is supplied with 15kg of sauna rock for stone basket.
Includes Safety Grille & Water Infusion Kit(funnel with connection hose).
All heaters' dimensions are 1120L x 200W x 870H, & 3 phase supply.

| Code | Description | Price |
|---------|--|----------|
| BM U 75 | 7.5kW Under-bench Heater c/w 5 x 1500w elements (EOS-0894) | 1,995.00 |
| BM U 09 | 9kW Under-bench Heater c/w 6 x 1500w elements (EOS-0894) | 2,150.00 |
| BM U 12 | 12kW Under-bench Heater c/w 8 x 1500w elements (EOS-0894) | 2,250.00 |

For all 3 heaters above, only 1 x EOS-9433 1500w Vaporizer Element needed

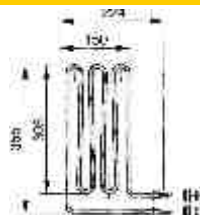


| Code | Replacement Spares | Price Each |
|----------|-------------------------|------------|
| EOS-0894 | 1500w Element | 78.00 |
| EOS-9433 | 1500w Vaporizer Element | 88.00 |

EOS-8533 Element

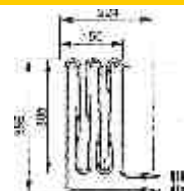
EOS-9433 Element

EOS 34A Heaters - Replacement Elements



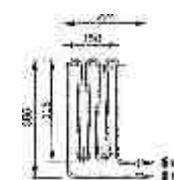
| Heater | No. Elements | Code | Description | Price Each |
|--------|--------------|----------|---------------------------|------------|
| 4.5kW | 3 | EOS-8085 | 1500w Replacement Element | 65.00 |
| 6.0kW | 3 | EOS-8086 | 2000w Replacement Element | 65.00 |
| 7.5kW | 3 | EOS-8084 | 2500w Replacement Element | 65.00 |
| 9.0kW | 6 | EOS-8085 | 1500w Replacement Element | 65.00 |

EOS 43FN Heaters - Replacement Elements



| Heater | No. Elements | Code | Description | Price Each |
|--------|--------------|----------|---------------------------|------------|
| 6.0kW | 3 | EOS-8085 | 1500w Replacement Element | 65.00 |
| 7.5kW | 3 | EOS-8085 | 1500w Replacement Element | 65.00 |

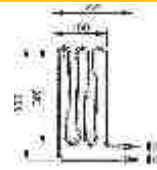
EOS Thermo-Tec Heaters - Replacement Elements



| Heater | No. Elements | Code | Description | Price Each |
|--------|--------------|----------|---------------------------|------------|
| 4.5kW | 3 | EOS-8085 | 1500w Replacement Element | 65.00 |
| 6.0kW | 4 | EOS-8085 | 1500w Replacement Element | 65.00 |
| 7.5kW | 5 | EOS-8085 | 1500w Replacement Element | 65.00 |
| 9.0kW | 6 | EOS-8085 | 1500w Replacement Element | 65.00 |

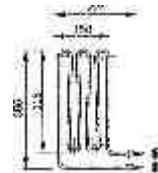
EOS Thermat Heaters - Replacement Elements

| Heater | No. Elements | Code | Description | Price Each |
|--------|--------------|----------|---------------------------|------------|
| 4.5kW | 3 | EOS-8085 | 1500w Replacement Element | 65.00 |
| 6.0kW | 3 | EOS-8086 | 2000w Replacement Element | 65.00 |
| 7.5kW | 3 | EOS-8084 | 2500w Replacement Element | 65.00 |
| 9.0kW | 6 | EOS-8085 | 1500w Replacement Element | 65.00 |



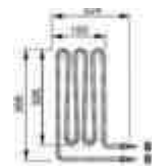
EOS P1 Floor Standing Commercial Heaters - Replacement Elements

| Heater | No. Elements | Code | Description | Price Each |
|---------|--------------|----------|---------------------------|------------|
| 10.5kW | 3 | EOS-8085 | 1500w Replacement Element | 65.00 |
| | 3 | EOS-8086 | 2000w Replacement Element | 65.00 |
| 12.00kW | 6 | EOS-8086 | 2000w Replacement Element | 65.00 |
| 15.00kW | 6 | EOS-8084 | 2500w Replacement Element | 65.00 |



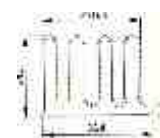
EOS CUBO Floor Standing Commercial Heaters - Replacement Elements

| Heater | No. Elements | Code | Description | Price Each |
|--------|--------------|----------|---------------------------|------------|
| 7.5kW | 5 | EOS-8085 | 1500w Replacement Element | 65.00 |
| 9.0kW | 6 | EOS-8085 | 1500w Replacement Element | 65.00 |
| 12.0kW | 6 | EOS-8086 | 2000w Replacement Element | 65.00 |



EOS Euro-Max Floor Standing Commercial Heaters - Replacement Elements

| Heater | No. Elements | Code | Description | Price Each |
|--------|--------------|----------|---------------------------|------------|
| 9.0kW | 9 | EOS-1599 | 1000w Replacement Element | 80.00 |
| 12.0kW | 9 | EOS-1598 | 1333w Replacement Element | 80.00 |
| 15.0kW | 11 | EOS-1598 | 1333w Replacement Element | 80.00 |



EOS Control Panels

| Code | Description | Price |
|---------|--|--------|
| ECON-D2 | Electronic Control Unit - Finnish (dry sauna only) Up to 9kW Heater - 6 to 12 hours timer - 3 phase connection only Includes temp. sensor with 2m cable (40C to 115C temp control) Connection for sauna internal light/s - Automatic Switch-Off Safety Temperature Limiter (Hi-Limit Stat) 139C | 360.00 |
| ECON-H2 | Electronic Control Unit - Bi-O (dry &/or humidity sauna) Up to 9kW Heater - 6 to 12 hours timer - 3 phase connection only Includes temp. sensor with 2m cable (40C to 115C sauna) Humidity regulation in 10 stages (30C to 70C humidity control) Connection for sauna internal light and fan - Automatic Switch-Off Safety Temperature Limiter (Hi-Limit Stat) 139C | 475.00 |

Spare Temperature Sensors:

supplied complete with housing, sensor board, overheating limiter fuse & 2 metres of silicone cable - suitable for all ECON control units:

| | | |
|--------|---|-------|
| 607520 | Analogue Temperature Sensor (Beige Colour) | 90.00 |
| 945025 | Analogue Temperature Sensor (Anthracite Colour) | 90.00 |



ECON-D2



ECON-H2



**945025
Temperature Sensor**

| | | |
|----------|---|--------|
| EMOTEC-D | Electronic Control Unit - Finnish (dry sauna only) Up to 9kW Heater - 6 to 12 hours timer - 3 phase connection only Includes temp. sensor with 2m cable (40C to 115C temp control) Connection for sauna internal light/s - Automatic Switch-Off | 675.00 |
| EMOTEC-H | Electronic Control Unit - Bi-O (dry &/or humidity sauna) Up to 9kW Heater - 6 to 12 hours timer - 3 phase connection only Includes temp. sensor with 2m cable (40C to 115C sauna) Humidity regulation in 10 stages (30C to 70C humidity control) Connection for sauna internal light and fan - Automatic Switch-Off | 775.00 |

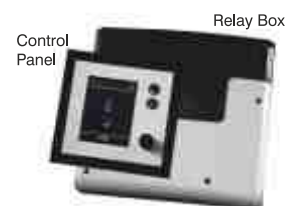
Spare Temperature & Humidity Sensors:

supplied complete with housing, overheating limiter fuse & 5 metres cable - suitable for all EMOTEC D & H control units:

| | | |
|--------|---|--------|
| 945743 | Digital Temperature Sensor (Beige Colour) | 130.00 |
| 945726 | Humidity Sensor (Beige Colour) | 200.00 |



EMOTEC D



EMOTEC H

TYLÖ Compact, Sense Sport & Compact Heaters c/w Built-in Controls

SENSE SPORT



COMPACT



The Sense Sport and Compact Heaters include built-in integral control panels with thermostat and mechanical timer. Protection from over-heating. Sense Heaters require "mini" sauna rocks.

| Code | Description | kW Rating | Cabin Volume | Price |
|----------|--|-------------|------------------------|--------|
| COMPACT | Compact Heater | 2.2 - 4.5kW | 1.2 - 5 m ³ | 718.00 |
| SPORT6 | Sense Sport 6 | 6.6kW | 4 - 8 m ³ | 719.00 |
| SPORT8 | Sense Sport 8 | 8.0kW | 7 - 12 m ³ | 784.00 |
| SENSEKIT | Optional Leg Kit ... for above Sense Heaters | | | 111.00 |

TYLÖ Sense Pure, Sense Commercial Sauna Heaters

These Heaters require a Remote Control Panel to function

SENSE PURE



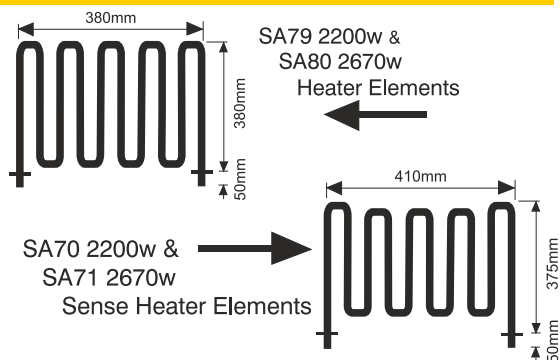
SENSE COMMERCIAL



SENSE COMMERCIAL 10/16/20

| Code | Description | kW Rating | Cabin Volume | Price |
|----------|--|-------------------|------------------------|----------|
| SEPR6 | Sense Pure 6 | 6.6 kW NEW | 4 - 8 m ³ | 995.00 |
| SEPR8 | Sense Pure 8 | 8 kW NEW | 6 - 12m ³ | 1,110.00 |
| SENSEKIT | Optional Leg Kit ... for above Sense Heaters | | | 111.00 |
| SEC6 | Sense Commercial 6 | 6.6 kW NEW | 4 - 8 m ³ | 606.00 |
| SEC8 | Sense Commercial 8 | 8 kW NEW | 6 - 12m ³ | 670.00 |
| SENSEKIT | Optional Leg Kit ... for above Sense Heaters | | | 111.00 |
| SDK10 | Sense Commercial 10 | 10.7 kW | 10 - 20 m ³ | 1,340.00 |
| SD16 | Sense Commercial 16 | 16 kW | 18 - 35 m ³ | 1,665.00 |
| SD20 | Sense Commercial 20 | 20 kW | 22 - 43 m ³ | 1,745.00 |

TYLÖ Heater Elements



| Heater Type | Rating / Element / Qty. | Code | Price each |
|--|-------------------------|-------|------------|
| Compact: 4.4kW heater | 4.4kW 2200w x 2 | SA78 | 101.50 |
| S6, SK 6, SPORT6 & MP E: 6.6kW heaters | 6.6kW 2200w x 3 | SA79 | 101.50 |
| S8, SK 8, SPORT8, MP E: 8kW heaters | 8kW 2670w x 3 | SA80 | 101.50 |
| SDK10 | 10.7kW 1750w x 6 | SA81 | 119.50 |
| SD16 | 16kW 1750w x 9 | SA81 | 119.50 |
| SD 20 | 20kW 2225w x 9 | SA83 | 119.50 |
| "SENSE" 6.6kW & 8kW Heaters: | | | |
| | 6.6kW 2200w x 3 | SA 70 | 101.50 |
| | 8kW 2670w x 3 | SA 71 | 101.50 |
| "SENSE" SK Heaters (October 2014 onwards): | | | |
| | 6.6kW 2200w x 3 | SA 70 | 101.50 |
| | 8kW 2670w x 3 | SA 71 | 101.50 |

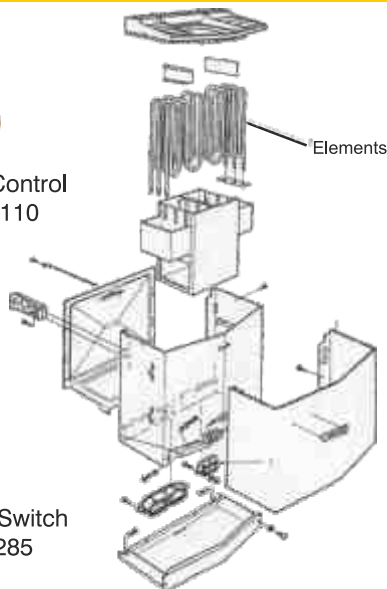
TYLÖ Sauna Heaters Spares



Temp. Limit Control
79 10 000 110



6 Pole On/Off Switch
83 10 000 285

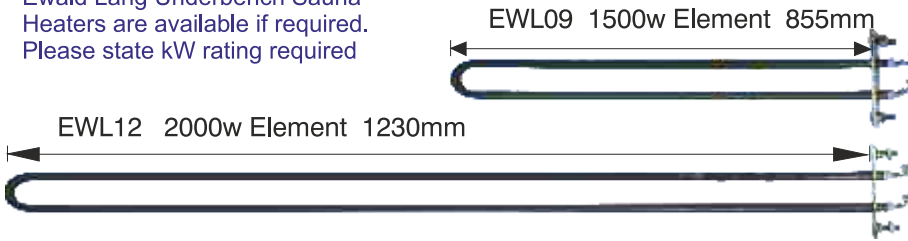


| Item | Code | Description | Price |
|---|---------------|--|--------|
| Compact: | | | |
| | 79 10 000 205 | Timer 4 Pole | 123.50 |
| | 79 10 000 275 | Thermostat 3 Pole | 126.50 |
| MPE & Sport: | | | |
| | 79 10 000 110 | Temp Limit Control 2 pole 40 amp. | 63.00 |
| | 79 10 000 270 | Thermostat 2 pole c/w 0.7m capillary tube | 123.50 |
| | 79 10 000 272 | Thermostat 3 pole | 133.00 |
| | 79 10 000 221 | Timer 6 pole 9 + 3hr 28D | 123.50 |
| | 80 10 001 500 | Pilot Lamp | 22.00 |
| | 83 96 000 040 | 6 Pole On/Off Switch | 92.00 |
| | 80 96 000 096 | PCB (Sport Heater) | 322.00 |
| S/SK Heater: | | | |
| | 79 10 000 110 | Temp. Limit Control 2 pole 40 amp. | 63.00 |
| SE Heater: | | | |
| | 80 96 000 091 | PCB (SE heater) | 260.00 |
| Sense Sport, Sense SK & Sense MPE Heaters: | | | |
| | 79 96 000 258 | Thermostat - 3 pole | 270.00 |
| | 79 96 000 012 | Timer - 6 pole | 123.50 |
| | 79 96 000 105 | PCB (Sense MPE Heater) | 360.00 |
| | 79 96 000 006 | Temp. Limit - 3 pole (on some SK versions) | 85.00 |

Ewald Lang UE35 Underbench Heater Elements

| Code | Description | Price |
|-------|----------------------|-------|
| EWL09 | 1500w Element (Each) | 70.00 |
| EWL12 | 2000w Element (Each) | 75.00 |

Ewald Lang Underbench Sauna Heaters are available if required. Please state kW rating required



Ewald Lang Replacement Heater Elements

| Code | Description | Price |
|-------|----------------------|-------|
| EWL01 | 1000w Element (Each) | 45.00 |

This element fits all these heaters - Type 33, 44, 64, 84 & 104



Looking for a replacement heater, let us quote for a New Ewald Lang Heater



TYLO TS30-012 Control Panel Spares

| No. | Code | Description | Price |
|-----|---------------|--|--------|
| 1 | 80 96 000 122 | Bulb Bracket (sensor holder) grey | 22.00 |
| 2 | 79 96 000 013 | Timer 6 pole 12 hour | 124.00 |
| 3 | 79 96 000 022 | Thermostat 4 pole - 1.87m capillary tube | 155.00 |
| 3 | 79 96 000 023 | Thermostat 4 pole - 5m capillary tube | 177.00 |
| 4/5 | 79 96 000 111 | Timer / Thermostat Knob | 13.00 |



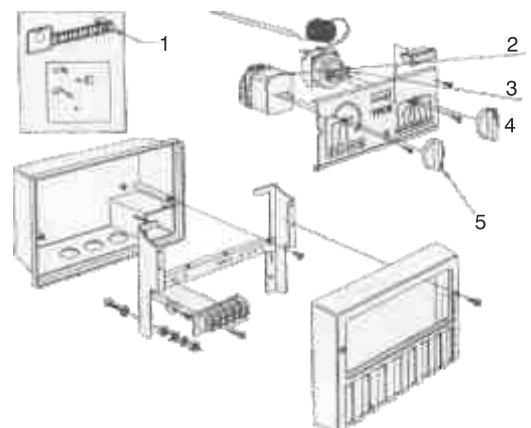
80 96 000 122
Sensor Holder



79 96 000 013
Timer



79 96 000 022
Thermostat 4 Pole



TYLO Digital Control Panel Spares

No serviceable spares are available except for

| Code | Description | Price |
|---------------|-----------------------------|-------|
| 80 96 000 071 | Thermistor (Sensor & Cable) | 59.00 |



TYLO RB30 & RB60 Relay Box Spares

| Code | Description | Price |
|---------------|-----------------------|--------|
| 83 96 000 040 | 6 Pole On/Off Switch | 92.00 |
| 80 96 000 091 | Relay/PCB (RB30 unit) | 260.00 |