

Rainbow Chlorinators/Brominators



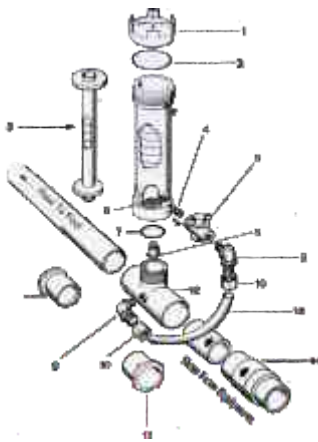
RA300C



RA320C

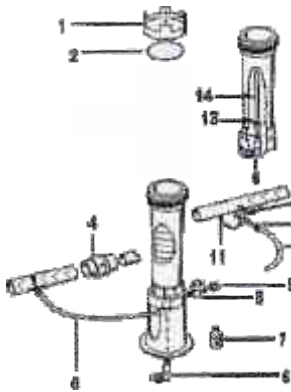
Code	Description	Price
RA320C	Rainbow 320 In-Line Feeder - 2.2kg Capacity - Clear-sided Suitable for Chlorine or Bromine	157.00
SPRA02	Rainbow 320 10" Extension	50.00
RA300C	Rainbow 300 Off-Line Feeder - 2.2kg Capacity - Clear-sided Suitable for Chlorine or Bromine	160.00
RA300-19	Rainbow 300-19 Off-Line Feeder - Suitable for Chlorine or Bromine	186.00
RA3315	Rainbow HC-3315 High Capacity Off-Line Feeder - 6.8kg Suitable for Chlorine or Bromine	246.00
RA3330	Rainbow HC-3330 High Capacity Off-Line Feeder - 13.6kg Suitable for Chlorine or Bromine	275.00

Rainbow 320C & 330C - In-Line Feeder Spares



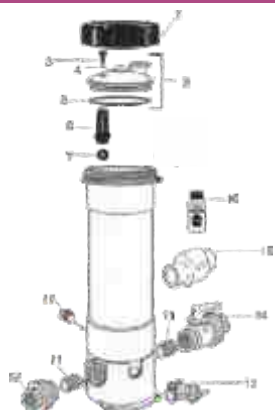
Code	Description	Price
1	SPR01P Lid for 320, 320C & 330C models	27.00
2	SPR04 Lid "O" Ring	4.90
3	SPRA12 Spa Chamber Insert - optional item	31.00
4	SPR07 Connecting Back Nipple 0.5" MPT	9.00
5	SPR11P Strainer	9.00
6	SPR03 0.5" Control Valve	65.00
7	SPR13P Bottom "O" Ring	2.30
8	SPR06 Check Valve	9.00
9	SPR02P 0.5"NPTx5/8" Elbow c/w compression nut	11.50
10	SPR14 Compression Nut	1.95
12	SPR12 Diverter Tee	19.00
13	SPR05 190mm Black Plastic Tube	8.50
13	SPR09 450mm Black Plastic Tube	18.00
14	RANRV 1.5"- 2" Non Return Valve	44.80

Rainbow 300C & 300-19 - Off-Line Feeder Spares



Code	Description	Price
1	SPR01P Lid for 300C & 300-19 models	27.00
2	SPR04 Lid "O" Ring	4.90
4	RANRV 1.5"- 2" Non Return Valve	44.80
5	SPR301 3/8"OD x 1/4"ID Poly Tube - 8ft	13.50
6	SPR306 Combination Check Valve/Elbow	9.00
8	SPR305 Control Valve 1/4"NPT + tube/nut	37.00
9	SPR307 Compression Nut only	2.50
10	SPR302 Tube Fitting with compression nut	9.00
11	SPR304 Saddle Clamp	9.00
12	SPR303 Saddle Clamp Gasket	1.80
13	SPR308 Stand Pipe Adaptor	9.00
14	SPR309 6" Stand Pipe 3/8"OD x 1/4"ID	1.60

Rainbow 3315 & 3330 High Capacity Feeder Spares



Code	Description	Price
1	SP0786 Lid Locking Ring	28.00
2	SPR3301 Lid Assembly Complete	43.00
3	SPR3302 Vent Valve	9.00
4	SPR3303 Vent Valve O'Ring	2.50
5	SPR3304 Lid O'Ring	24.00
6	SPR3307 Screen	9.00
7	SPR3308 Check Ball	2.50
10	SPR3313 1/2" Plug Threaded	9.50
11	SPR3309 1" Close Nipple	9.00
12	SPR3310 1" Female Threaded Union	29.00
13	SPR3312 1/2" Drain Valve	27.00
14	SPR3311 Control Valve	95.00
15	RANRV 1.5"- 2" Non Return Valve	44.80

CHEMICAL DOSING

ASTRAL CHEMICAL EROSION FEEDERS

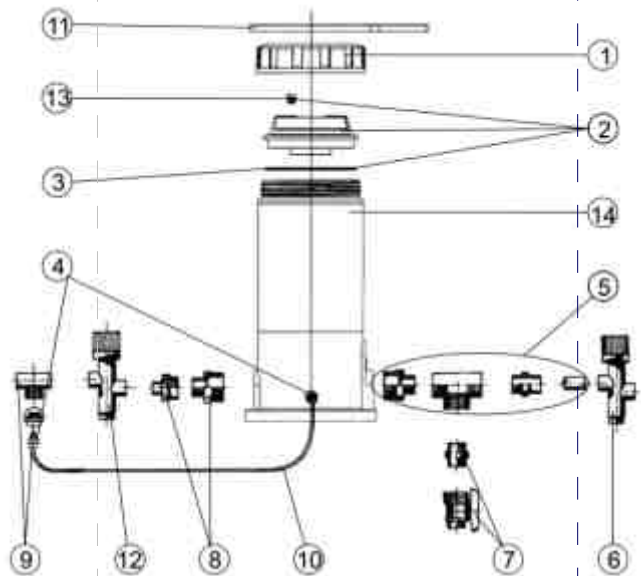
Astral Chlorinators/Brominators

Code	Description	Price
01413	Dossi-5 Off-Line Brominator/Chlorinator c/w 2 regulation valves, 20mm Connections, 5kg tablets. For pools up to 100m ³	225.00
43998	Dossi-10 Off-Line Brominator/Chlorinator c/w 2 regulation valves, 20mm Connections, 10kg tablets. For pools up to 200m ³	236.00
24429	Astral Dossi-3 In-line Chlorinator/Brominator 1.5" connections, 405mm high, Holds 3kg tablets. For pools up to 60m ³ (chlorine) and 30m ³ (bromine)	121.00
24430	Astral Dossi-3 Off-line, Chlorinator/Brominator Via flexible pipe, 405mm high, Holds 3kg tablets. For pools up to 60m ³ (chlorine) and 30m ³ (bromine)	128.00
21438	Dossi-5 In-line Brominator 486mm high, Holds 5.5kg tablets, For pools up to 45m ³ 1.5" Connections	163.00
21439	Dossi-10 In-line Brominator 725mm high, Holds 10kg tablets, For pools up to 90m ³ 1.5" Connections	192.00

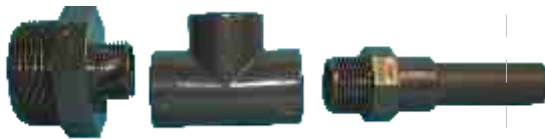


Astral Dossi-5 / Dossi-10 Off-Line Brominator Spares

Part No.	Code	Description	Price
1	4408010101	Lid Locking Nut	23.00
2	4408010102	Lid (c/w O'Ring & Plug)	59.00
3	4408010103	Lid O'Ring	26.00
11	4404130103	Lid Spanner	14.00
4	4408010104	Tube Nut	8.00
5	4408010105	Threaded Reducer Assembly	11.00
6	4408010106	Regulator Valve	30.00
7	4408010107	Ball Valve & Adaptor	19.00
8	4408010108	Threaded Reducer & Adaptor	9.00
9	4408010109	Mixed Tee & Fitting	7.00
12	4408010112	On-Off Regulator Valve	31.00
13	4408031604	Plug & O'Ring	1.40



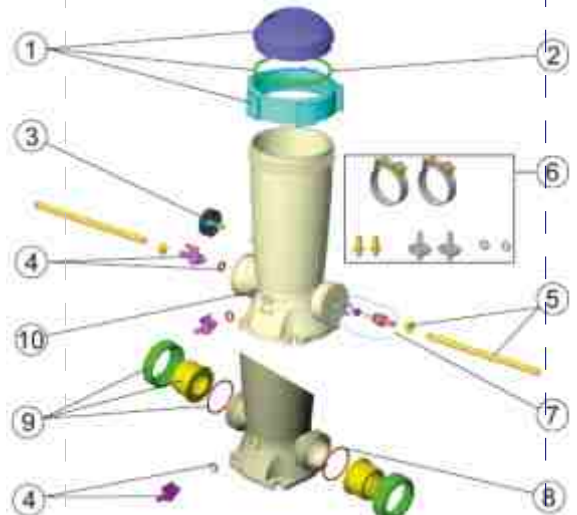
(6) 4408010106



(5) 4408010105

Astral Dossi-3 Off-Line & In-Line Brominator Spares

Part No.	Code	Description	Price
1	4408010701	Lid Kit (c/w O'Ring & Collar)	34.00
2	4408010702	Lid O'Ring	30.00
3	4408010204	Control Valve	9.00
4	4408010205	Purge Valve & Seal	8.00
5	4408010309	Black Flexible Tube	14.00
6	4408010308	Fittings & Tube Clamps	37.00
7	4408010306	Viton Valve with Adaptor	18.00
8	4401120102	O'Ring	2.20
9	4408010206	Union Set	17.00

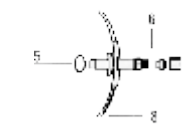


4408010701

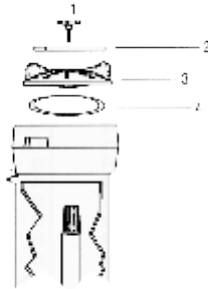


4408010205

“Old Design” Aquabrome Brominator Spares - *while stocks last*

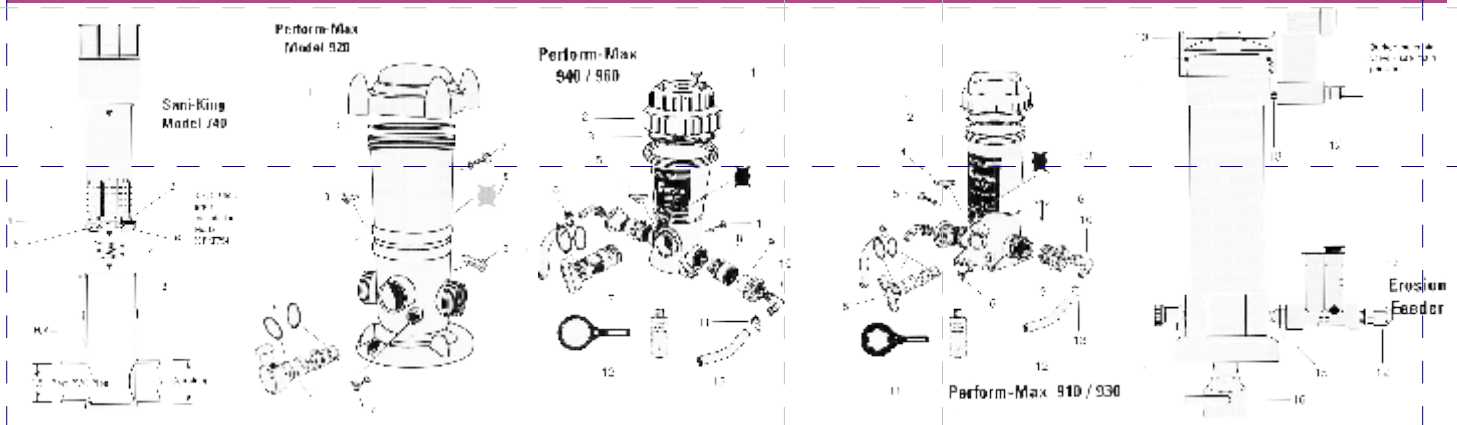


Limited Spares Available



Code	Description	Price
1 SPB8142	Hand Knob	18.15
2 SPB8098	Lid Retaining Bar	26.99
3 SPB8097	Lid - clear	42.46
4 SPB8094	Lid “O” Ring	17.95
5 SPB8154	Saddle Clamp Gasket	19.86
6 SPB8035	Air Vent Nipple & Gasket	18.53
8 SPB8157	Saddle Clamp	20.60
SPB8132M	3/4" Slotted Ball Valve 0.75"FPTxMPT	49.53

For Other Chemical Feeders & Spares - Please Contact us for Prices



1/2" & 3/4" Burkert Valve 240v - Viton seals



BU1/2 - 1/2" Socket Union connections
BU3/4 - 3/4" Socket Union connections
Ideal for chlorine & bromine systems

1/4" Burkert Solenoid Valve 240/24v - Viton Seals



240v or 24v - 1/4" FT ports
Viton/FPM seals.
Suitable for Chlorine/Bromine disinfection systems.
BUO1/4 for pools where o-zone systems are installed.

Code	Description	Price	Code	Description	Price
BU1/2	1/2" Burkert Valve	449.00	BU1/4	1/4" Burkert Valve - 240v	200.00
BU3/4	3/4" Burkert Valve	595.00	BUO1/4	1/4" Burkert Valve (ozone)	225.00
			BU1/4-24V	1/4" Burkert Valve - 24v	200.00

Etatron & Biolab Solenoids



SPETSV14

ETATRON 1/4" Solenoid Valve - 240v
ETATRON 1/2" Solenoid Valve - 240v
BIOLAB 3/4" Solenoid Valve - 240v

* 2 way - normally closed
* Polyphenylene-sulfide reinforced Body
* FPM (Viton) Seals
* Pressure Range 2 bar max.
* Fluid Temp -10 to +90degC
* IP 65 Rating (EN 60529) with plug connector

Code	Description	Price
SPETSV14	1/4" Etatron Valve - 240v	POA
SPETSV12	1/2" Etatron Valve - 240v	POA
BIO-3/4SV R297	3/4" Biolab Valve - 240v Coil Only for the Valve Above	POA 55.00

CO2 Flow Control

Valve Application:
Topline Carbon Dioxide
pH Control

T5065



Code	Description	Price
T5065	Norgren CO ₂ Flow Control Solenoid Valve	145.00

CO2 Flow Control

Valve Application:
Siemens Stranco 3034
Flow Control Unit for
Carbon Dioxide pH Control

3049



Code	Description	Price
3049	CO ₂ Flow Control Solenoid Valve	97.50

Burkert Pool & Spa Mains Water Top-Up Valves

Code	Description	Price
BSV1/2	1/2" Burkert Solenoid Valve - 240v	120.00
BSV3/4	3/4" Burkert Solenoid Valve - 240v	160.00
BSV10	1" Burkert Solenoid Valve - 240v	180.00
BSV15	1.5" Burkert Solenoid Valve - 240v	320.00
BSV20	2" Burkert Solenoid Valve - 240v	345.00

24v & 110v available on special order

Burkert Solenoid
Valves
10 Bar max.



BSV1/2



BSV3/4

Servo-Assisted Solenoid Valves

Code	Description	Price
SASV-1/2	1/2" Solenoid Valve - 240v	80.00
SASV-3/4	3/4" Solenoid Valve - 240v	100.00
SASV-10	1" Solenoid Valve - 240v	120.00
SASV-15	1.5" Solenoid Valve - 240v	225.00
SASV-20	2" Solenoid Valve - 240v	250.00

24v & 110v available on special order



Switches

Code	Description	Price
CON3850	Overflow Tank Control	402.56
High Level & Low Level Float Switches:		
G0076	High Level Drop Float Switch 25VA	35.00
CON3851FS	Low Level Compact Float Switch	35.00
Minimatic Double Action Float Switches:		
DAFS05	Float Switch c/w 5m cable	45.00
DAFS15	Float Switch c/w 15m cable	50.00
High Pressure Brass Piston & Plastic Seat Valves - 8"-10" long arms:		
BTV8742	3/4" Side Entry Piston Valve (BS1212-1)	20.00
BTV8743	1" Side Entry Piston Valve (BS1212-1)	40.00
Plastic Float with Brass Insert:		
BTV11457	6" x 5/16" Plastic Ball (fits BTV8742 above)	6.00
BTV11460	8" x 7/16" Plastic Ball (fits BTV8743 above)	25.00
Copper Float:		
BTV8764	6" x 5/16" Copper Ball (fits BTV8742 above)	25.00
BTV8765	8" x 7/16" Copper Ball (fits BTV8743 above)	45.00



G0076



CON3851FS



BTV8742

Plastic Float



DAFS05



Copper Float



BTV8743