

YAKO Chemical Transfer Pumps



G0055
fitted with
VITON diaphragm

G0056
fitted with
EPDM diaphragm

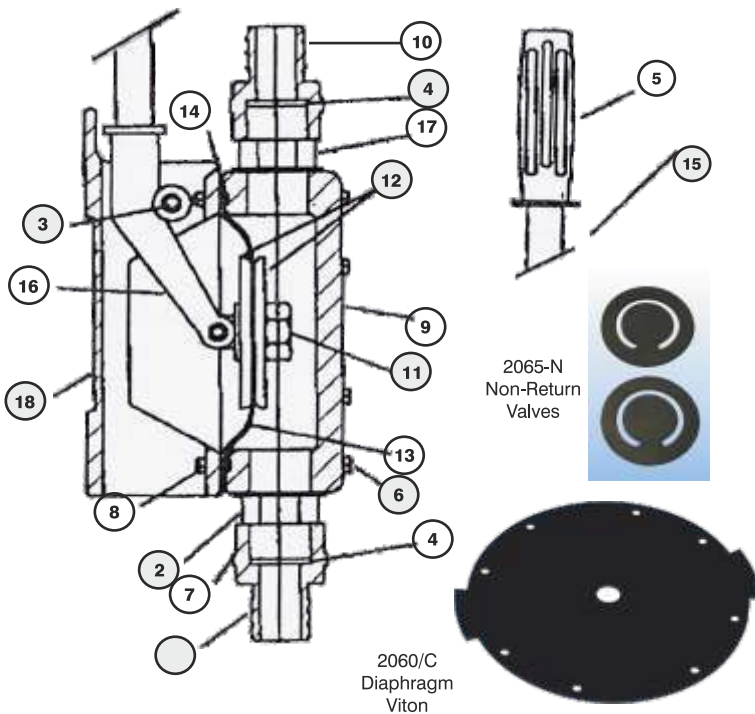
Code	Description	Price
G0055	YAKO Manual Transfer Pump (VITON Diaphragm) c/w 3m 1 1/4" RPVC suction/delivery hose & SS hose clips	425.00

VITON Diaphragm - suitable for Sodium & Calcium Hypochlorite

G0056	YAKO Manual Transfer Pump (EPDM Diaphragm) c/w 3m 1 1/4" RPVC suction/delivery hose & hose clips	415.00
-------	---	--------

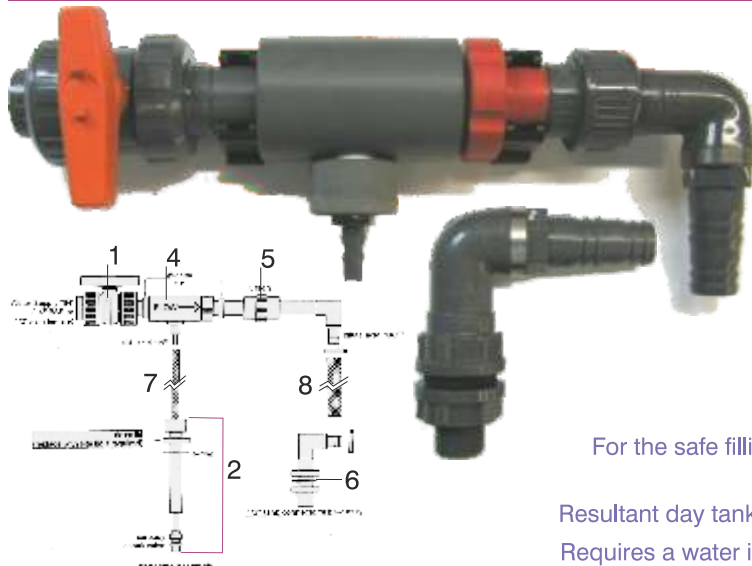
EPDM Diaphragm - suitable for Hydrochloric Acid & Alkalis

YAKO Transfer Pump Spares



No.	Code	Item	Price
	2064V	Spares Kit - 2 no. Non Return Valves 1 no. VITON Diaphragm, 1 no. Body "O" Ring	60.00
1/7	28-G073	1" Hosetail (suction)	23.00
1/7	28-G074	1.25" Hosetail (suction)	23.00
3	2073	Pivot Pin & Nut	1.00
4	2065-N	Non-Return Valve (Viton) - each	10.00
5/15	2069	Handle & Grip	30.00
6/8	2066	Body Bolt & Nut	1.50
9	2067-N	PVC Front Pump Housing (Includes items 2 & 17)	POA
10	28-G080	1" Hosetail (delivery)	22.00
10	28-G081	1.25" Hosetail (delivery)	22.00
11	2077	Retaining Nut	6.00
12	2078	Diaphragm Plates - Pair	25.00
13	2060/C	Diaphragm (Viton)	40.00
13	2060/B	Diaphragm (EPDM)	20.00
14	2067/s	Body "O" Ring	8.00
18	2062	Rear Mount Body - PVC Coated	POA
16	2061	Operating Arm	75.00
As an alternative, the operating arm can be repaired using the following PVC Kit			
	2061-PVC-KIT	PVC Adaptor & Brass Rivet	35.00

Hydrochloric Acid Venturi Dilutor



Code	Description	Price
AD	Hydrochloric Acid Venturi Dilutor Kit c/w drum suction lance assembly	395.00
ADBV	1 1/2" Double Union Ball Valve	32.00
ADSA	2 DN8 Rigid Suction Assembly	95.00
9-AD-SK	Spare Seals Kit - 2 x (4) & 1 x (5)	13.00
ADTG	6 Gasket, EPDM 1/2" Tank Connection	4.25
CX07M	7 12mm OD x 6mm ID RPVC Hose	1.75/metre
CX19M	8 25mm OD X19mm ID RPVC Hose	3.00/metre
HC2232	Stainless Steel Hose Clamp 22-32mm	4.25

For the safe filling of day tanks from acid drums and carboys via mains water
"venturi" principle blending.

Resultant day tank acid solution strength adjustable between approx. 3% and 10%.
Requires a water in-flow of at least 16 litres/minute at a minimum of 1 bar pressure.

CHEMICAL DOSING

CHEMICAL TRANSFER PUMP & FILL VALVES

Economy Chemical Transfer Pumps

Code	Description	Price
EQPSYP	PP25 Koshin Syphon Pump Economy hand transfer pump for weak acids and alkalis.	32.50
VLHP	Lever Hand Pump - Viton Seals Economy hand transfer pump for aggressive chemicals Adjustable Shaft length Supplied c/w 1 metre 1" RPVC & S/S Hose Clamp	130.00



EQPSYP

VLHP

Lutz Jesco Electric Transfer Pump

The Lutz B2 Vario Transfer Pump offers features and benefits to meet the needs of the maintenance technician when transferring sodium hypochlorite** and other pool and spa chemicals. The speed-controllable motor enables small quantities of liquids to be transferred safely and quietly, and the modular construction enables effortless servicing without special tools.

** Polypropylene is only conditionally resistant to sodium hypochlorite.

The pump **MUST NOT** be left in the fluid when not in use, and the pump **MUST** be flushed through with clean fresh water after each use.

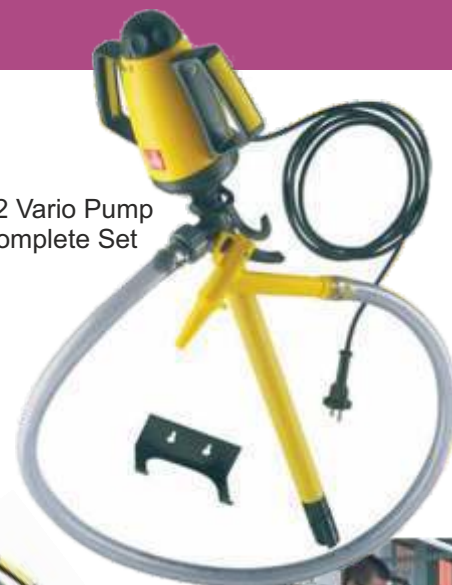
Pump Materials:

* Housing:	Polypropylene/PVDF
* Impeller:	Polypropylene
* Seals:	None
* Mechanical Seals:	None
* Bearing:	ETFE#/PTFE
# ETFE = Ethylene-Tetrafluoroethylene Copolymer	
* Drive Shaft:	Hastelloy C
All suction tubes are 1000mm long	

Specification:

* Ultra quiet variable speed motor with safety cut-out
* 200w motor (230v), 180w motor (110v)
* Delivery Rate: 75l/min (230v), 62l/min (110v)
* Delivery Head: 7m head (230v), 5m head (110v)
* Viscosity: up to 300 mPas
* Temp of Liquid: up to 50degC
* Weight: Motor + Suction Tube 2.5kg

B2 Vario Pump Complete Set



Code	Description	Price
Vario-Set230	B2 Vario Pump Complete Set - 230v Pump c/w Lutz-Nozzle, 2 x 3/4" Hose Clips, 1.5 metre 3/4" RPVC Hose & Wall Bracket	525.00
Vario-Set110	B2 Vario Pump Complete Set - 110v Pump c/w Lutz-Nozzle, 2 x 3/4" Hose Clips, 1.5 metre 3/4" RPVC Hose & Wall Bracket	525.00
Vario-Acs-Set	Vario Accessory Set 1.5 metre 3/4" RPVC Hose, Nozzle & Connections	120.00



PVDF Shaft
Version available on request



Safety Fill Valve

Code	Description	Price
SFV	Safety Auto Shut-Off Fill Valve Kit c/w 1 metre white semi-rigid plastic fill pipe from valve to day tank, day tank connector & flow valve (15mm cold water supply, compression connections). compression fitting connect.	75.00

Protects from accidental over-filling of day tank!!
Push action water fill-up valve - allows fill when continually pressed.
If you release, then valve closes after 15 - 25 seconds.

SFV
Safety Auto Shut-Off
Fill Valve Kit



Wall
Fixing

Tundish Air Gap Devices

Code	Description	Price
TD1522M	Plastic Tundish 15mm Comp x 22mm Comp	22.00
TD2201	Plastic Tundish 22mm x 1" F/T	22.00
TD3401	Angled Plastic Tundish 3/4" MT x 1" FT	22.00

Tundishes (AA Air Gap Devices) required for compliance with Water Regulations when filling chemical day tanks

TD1522M



TD3401

