

CHEMICAL DOSING

LMI CHEMICAL DOSING PUMPS - PD SERIES



LMI PD0 Series Pumps - Standard

Code	Max Output Lt/hr	Max. Pressure	Delivery Hose	Price
LMI PD0 PUMPS - MANUAL STROKE CONTROL				
PD045-920N2	2.6 litre/hr	@ 17.0 Bar Max.	1/4" OD Hose	595.00
PD055-930N2	4.2 litre/hr	@ 10.2 Bar Max.	3/8" OD Hose	625.00
PD065-940N2	7.6 litre/hr	@ 4.8 Bar Max.	3/8" OD Hose	625.00

The new redesigned PD series pumps replace the old series P, P+ & Roytronic pumps.
Features:

- * **Advanced Electronics** with dynamic compensation for temperature & voltage conditions
- * **Improved Drive Design**
- * **Fast Prime** as standard
- * **Dual Voltage:** 110/240V
- * +/- 3% accuracy/repeatability
- * Speed Adjustment only
- * IP65 Housing
- * 200:1 turn down
- * Suction Lift 1.5m

See pages 2 & 3 for more details on Features



LMI PD7 Series Pumps - Enhanced

Code	Max Output Lt/hr	Max. Pressure	Delivery Hose	Price
LMI PD7 PUMPS -				
PD745-920N2	2.6 litre/hr	@ 10.2 Bar Max.	1/4" OD Hose	POA
PD755-930N2	4.2 litre/hr	@ 10.2 Bar Max.	3/8" OD Hose	POA
PD765-940N2	7.6 litre/hr	@ 4.8 Bar Max.	3/8" OD Hose	POA

The new redesigned PD series pumps replace the old series P, P+ & Roytronic pumps, as per the PD0 with added extras:

- * **2.4" Colour LCD**
- * **External Control Inputs**
- * **Calibration Assist**
- * **System & User Totaliser**
- * **StayPrime Degassing Technology**

See pages 2 & 3 for more details on Features

New Style 4 Function Valve



57709
Supplied without a hose connection kit

Code	Description	Price
57709	4 Function Valve	115.00
58062	4 Function Valve - PRO for Sodium Hypochlorite	295.00
77382	1/4" Hose Connection Assembly	17.50
77383	3/8" Hose Connection Assembly	17.50



58062
Supplied without a hose connection kit

The Roytronic 4 function valves provide the following functions:

- * Anti-Syphon
- * Back Pressure Valve
- * Priming and Line Depressurisation.

CHEMICAL DOSING

LMI CHEMICAL DOSING PUMPS -SPARES FOR PD SERIES

NEW Style 4 Function Valve



The 4 function valves provide the following functions:

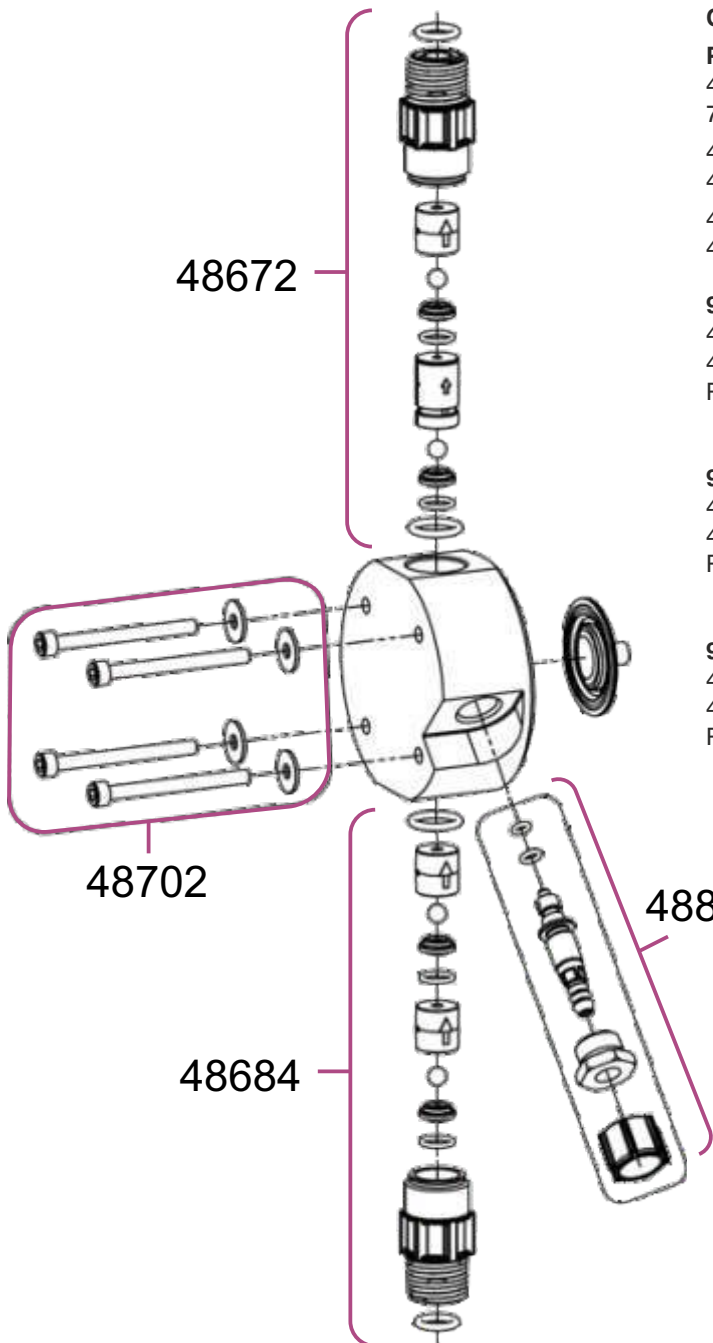
- * Anti-Syphon
- * Back Pressure valve
- * Priming
- * Line Depressurisation.

Supplied without a hose connection kit

Code	Description	Price
57709	4 Function Valve - PD Series Pumps (for pressures up to 10 bar)	115.00
58062	4 Function Valve PRO - PD Series Pumps Specifically designed for use with Chlorine	295.00
Optional Extras:		
77382	1/4" Hose Connection Assembly	17.50
77383	3/8" Hose Connection Assembly	17.50

PD Pump 900 LE Spares

(these spares also cross over with the P+ Roytronics Pumps)



Code	Description	Price
PD Series - Spares All Pumps		
48728	Injector Only (no hose connection assembly)	55.00
77367	Foot Valve Assembly (no hose connection assembly)	55.00
48672	Discharge Valve Assembly (no hose connection assembly)	67.50
48684	Suction Valve Assembly (no hose connection assembly)	69.50
48702	Pump Head Screws Kit (Set of 4 bolts and washers)	25.00
48848	FastPrime™ Valve	45.00

920NX Liquid End Head Spares (for PD045-920NX):

48218	920NX Acrylic FastPrime™ Pump Head	260.00
48187	920NX Diaphragm Only	67.50
RPM822	920NX Repair & Preventative Maintenance Kit <i>Spares Kit Includes; 1no. Diaphragm, Injection Cartridge Assembly O'Rings & Cartridges for Suction, Discharge & Foot Valves</i>	125.00

930NX Liquid End Head Spares (for PD055-930NX):

48222	930NX Acrylic FastPrime™ Pump Head	275.00
48188	930NX Diaphragm Only	77.62
RPM832	930NX Repair & Preventative Maintenance Kit <i>Spares Kit Includes; 1no. Diaphragm, Injection Cartridge Assembly O'Rings & Cartridges for Suction, Discharge & Foot Valves</i>	135.00

940NX Liquid End Head Spares (for PD065-940NX):

48226	940NX Acrylic FastPrime™ Pump Head	350.00
48189	940NX Diaphragm Only	108.50
RPM842	940NX Repair & Preventative Maintenance Kit <i>Spares Kit Includes; 1no. Diaphragm, Injection Cartridge Assembly O'Rings & Cartridges for Suction, Discharge & Foot Valves</i>	175.00

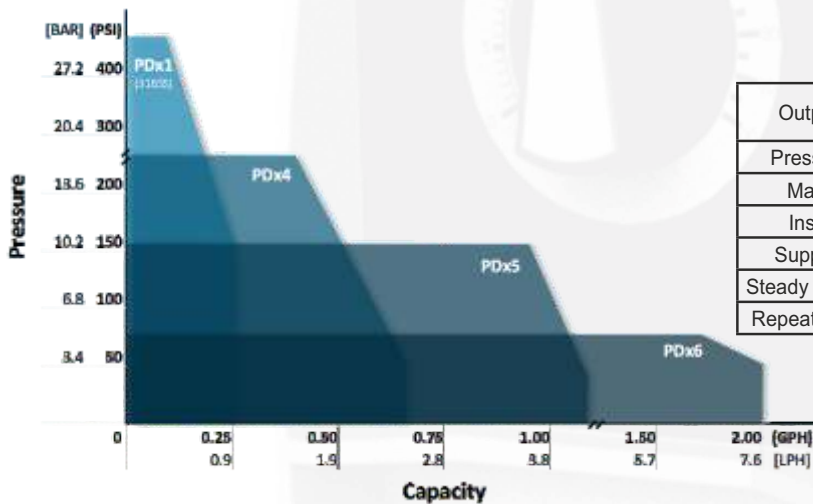


Designed to Last

Introducing the PD Series chemical metering pump, the new standard in water treatment. This upgrade to LMI's most popular pump series includes an improved drive design, all new electronics, and proven FASTPRIME™ liquid ends. Available in Manual or Enhanced control models, the PD Series pump fits seamlessly into your process control application. The Manual model offers straightforward control without the need for tedious calculations. Its split-scale dial ensures precision, even at lower flow rates. The Enhanced model offers external control and a large graphical display to provide intuitive access to advanced features such as calibration assist, system and user totalizers, the new STAYPRIME™ degassing technology, and more.

Trusted by water treatment professionals for more than a generation, the PD Series chemical metering pump will continue to earn your trust for years to come.

Performance Specifications



Manual Model

Output Range	.002 – 2.0 GPH (.008 – 7.6 LPH)
Pressure Range	50-450 PSI (3.4-30.6 BAR)
Max Stroke	160 SPM
Installation	Indoor/Outdoor
Supply Voltage	115-230V / 50-60Hz
Steady State Accuracy	+/- 3%
Repeatable Accuracy	+/- 3%

Enhanced Model

FastPrime™ Liquid Ends

	PSI	GPH	BAR	LPH
PDx1	450	0.10	30.6	0.38
	300	0.20	20.4	0.76
PDx4	150	0.25	10.2	0.95
	250	0.35	17.0	1.32
PDx5	50	0.68	3.4	2.57
	150	0.52	10.2	1.97
PDx6	70	1.10	2.0	4.20
	150	0.80	10.2	3.03
PDx6	60	1.85	4.1	7.00
	50	2.00	3.4	7.57

*Standard on PD0 and PD7 models

Features and Benefits

- Shared drive platform with universal 115-230V, 50/60 Hz power supply
- Flows from 2 GPH (7.57 LPH) up to 450 PSI (30.6 BAR)
- Simplified capacity control with constant stroke length to maintain calibration across the adjustable range
- Advanced electronics with dynamic compensation for temperature and voltage conditions
- FastPrime™ liquid ends (standard) that allow fast and easy priming with integrated bleed valve
- AutoPrime™ liquid ends (optional), designed specifically for off-gassing liquids (See page 4 for performance specifications)
- Rugged construction with NEMA 4X/IP 65 housing for the harshest environments and outdoor use
- Compact footprint for efficient use of space in process applications or OEM configuration
- Agency certifications - NSF 61 and 50 (pending), ETL, CE
- Built on decades of experience and fully backed by LMI's two-year warranty

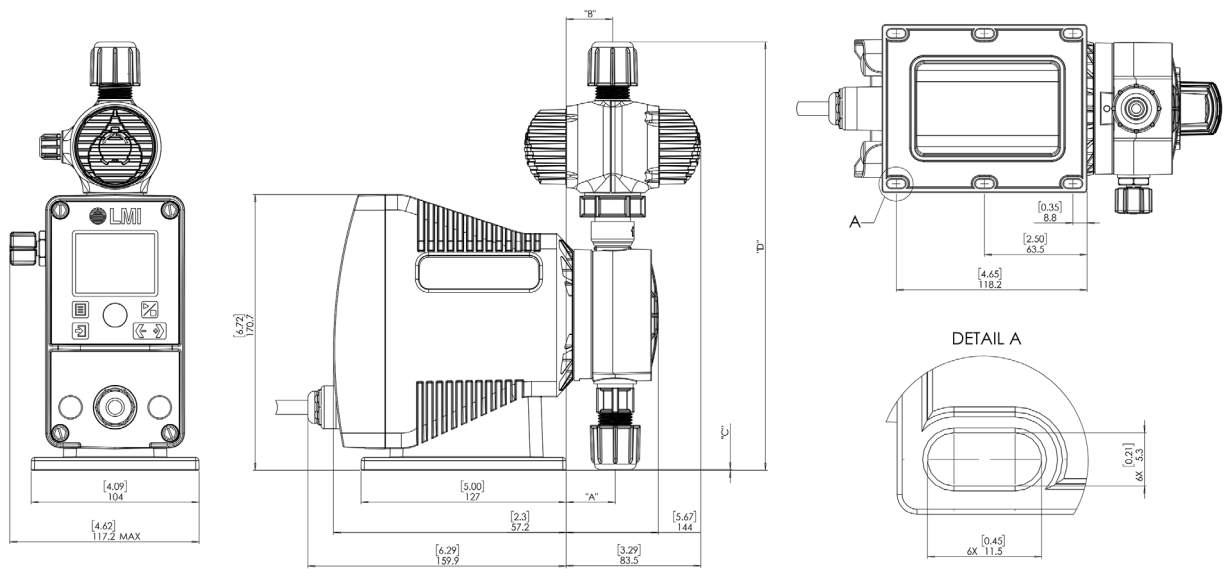
Enhanced Functionality (PD7)

- 2.4" Color LCD - Intuitive navigation allows you to configure and operate with ease – view status and alerts from a distance to confirm safe operation
- External Control Inputs - Automate your process with pulse pacing, 4-20 mA analog input, remote start/stop, and tank level indication – ideal for proportional dosing
- Calibration Assist - Simply draw from a column and adjust the estimated value on-screen to the measured actual – calibration is that easy
- System & User Totalizers - An odometer for your pump that logs pump strokes, estimated volume, and power cycles – confirm pump operation between visits
- StayPrime™ Degassing Technology - Automates the priming cycle after a period of idle pump time to ensure prime

4-20 mA Analog Input usage requires the MP-100 Pulse Pacer and the 57958 adapter cable.

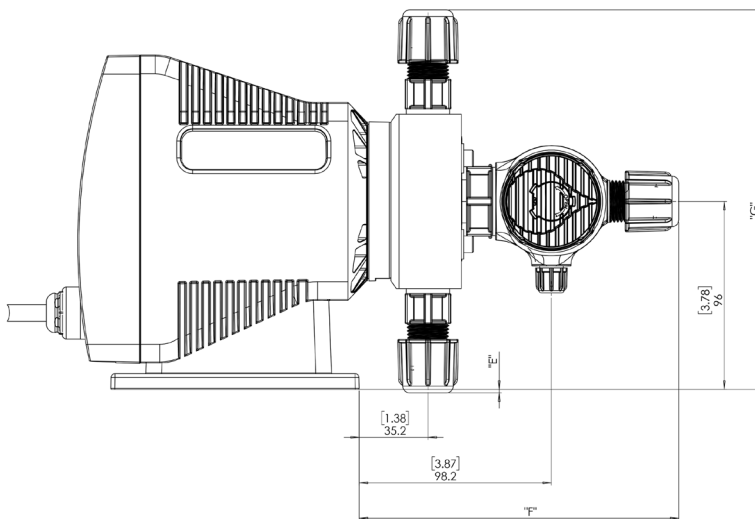


Dimensions



LIQUID END MODEL	"A"		"B"		"C"		"D"	
	INCH	MM	INCH	MM	INCH	MM	INCH	MM
LE-7XXNX	1.20	30.5	1.13	28.8	0.34	8.6	7.84	199.2
LE-7XXNX	1.20	30.5	1.13	28.8	0.34	8.6	10.45	265.4
LE-8XXNX	1.20	30.5	1.13	28.8	0.01	0.3	8.17	207.5
LE-8XXSX	1.20	30.5	1.13	28.8	0.01	0.3	10.45	265.4
LE-90XNX, LE-92XNX, LE-93XNX	1.39	35.2	1.39	35.2	0.10	2.5	7.47	189.7
LE-90XSX, LE-92XSX, LE-93XSX	1.39	35.2	1.39	35.2	0.10	2.5	9.75	247.6
LE-94XNX	1.39	35.2	1.39	35.2	-0.07	-1.8	7.64	194
LE-94XSX	1.39	35.2	1.39	35.2	-0.07	-1.8	9.92	251.9

AUTOPRIME™ LIQUID END



LIQUID END MODEL	"E"		"F"		"G"	
	INCH	MM	INCH	MM	INCH	MM
LE-A1XNX, LE-A2XNX, LE-A3XNX	-0.10	-2.5	4.15	105.4	7.46	189.6
LE-A1XSX, LE-A2XSX, LE-A3XSX	-0.10	-2.5	6.43	163.3	7.46	189.6
LE-A4XNX	0.07	1.8	4.15	105.4	7.63	193.8
LE-A4XSX	0.07	1.8	6.43	163.3	7.63	193.8

Performance Specifications

AutoPrime™
Degassing
Liquid Ends

	PSI	GPH	BAR	LPH
PDx4	250	0.20	17.0	0.76
	150	0.30	10.2	1.14
PDx5	110	0.75	7.5	2.84
	50	0.85	3.4	3.22
PDx6	50	1.75	3.4	6.62
	30	1.85	2.0	7.00

About Ingersoll Rand Inc.

Ingersoll Rand Inc. (NYSE:IR), driven by an entrepreneurial spirit and ownership mindset, is dedicated to helping make life better for our employees, customers and communities. Customers lean on us for our technology-driven excellence in mission-critical flow creation and industrial solutions across 40+ respected brands where our products and services excel in the most complex and harsh conditions. Our employees develop customers for life through their daily commitment to expertise, productivity and efficiency. For more information, visit www.IRCO.com



FastPrime is a trademark of Milton Roy, LLC
AutoPrime is a trademark of Milton Roy, LLC
StayPrime is a trademark of Milton Roy, LLC
Polyprel is a registered trademark of Milton Roy, LLC

Contact your local representative to find out more about Series PD Chemical Metering Pumps

www.lmpumps.com
www.relyonLMI.com

