

STEAM

CAREL STEAM GENERATOR SPARES



Carel Steam Generator - Replacement Cylinders

Code	Description	Detail	Price
Disposable:			
BL0T 3B 00H2	10 to 18kg/hr Cylinder	3 Phase Type B	195.00
BL0T 3C 00H2	10 to 18kg/hr Cylinder	3 Phase Type C	195.00
BL0T 3D 00H2	10 to 18kg/hr Cylinder	3 Phase Type D	195.00
BL0T 4B 00H2	25 to 45kg/hr Cylinder	3 Phase Type C	355.00
BL0T 4C 00H2	25 to 45kg/hr Cylinder	3 Phase Type C	355.00
BL0T 4D 00H2	25 to 45kg/hr Cylinder	3 Phase Type D	355.00

Cleanable cylinders will be price on application and bought in on a special order, please email sales@leisureteq.co.uk with you cylinder code for a quotation

Cylinder Selection:
 Type B = Soft Water - 75 - 350us/cm
 Type C = Intermediate Water - 350 - 750us/cm
 Type D = Hard Water - 750 - 1250us/cm

General Spares



ASET030001



1312365AXX



10C615A238



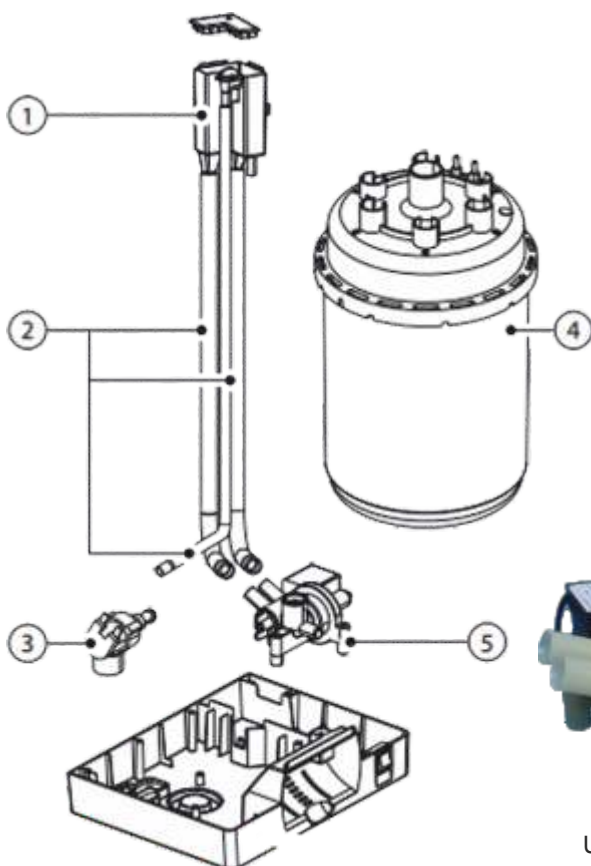
10C615A090



10C615A025

Code	Description	Price	Code	Description	Price
ASET030001	Temp sensor c/w 4 mtr cable	120.00	Connection Kit for 10-18kg units:		
S90CONN002	Telephone Connector 0.8m	8.00	10C615A238	Connection Kit (Set of 3 cables/adaptors)	55.00
1312365AXX	Steam Hose 30mm i/d UE010-018	50.00/mtr	10C615A090	Auxiliary Wiring Set (red cables set)	65.00
1312367AXX	Steam Hose 40mm i/d UE025-045	80.00/mtr	Connection Kit for 25-45kg units:		
			10C615A025	Connection Kit (Set of 6 cables/adaptors)	69.50

Spares - UE010 - 018



Wellness UE010W - UE018W

No.	Code	Description	Price
1	UEKVASC100	Fill Tank with conductivity meter	37.00
2	UEKT10000M	Internal Hose Kit	42.00
3	KITVC10011	Solenoid Fill Valve	68.00
5	UEKDRAIN01	Manifold with Drain Pump 230v	125.00
	KIT98C478P001	Pack of 5 O'Rings for UEKDRAIN01	5.00
	UEKTAM0000	TAM (Current Transformer)	84.00
	UEKTR30000	Transformer 230-400 / 24v	150.00
	UEKCONT400	Contactur	240.00

X-Plus UE010X - UE018X

As above with the exception of:

No.	Code	Description	Price
	UEKCONT200	Contactur	95.00



UEKDRAIN01



UEKVASC100



KITVC10011



UEKTAM0000

Updated Prices - 01-02-2022

Spares - UE025 - 045 & 065

Wellness UE025W

No.	Code	Description	Price
2	KITVC10058	Solenoid Fill Valve Kit 5.8l/min	55.00
3	UEKT10000L	Internal Hose Kit	30.00
4	KITCN00000	Conductivity Meter Kit	70.00
5	KITPSE0000	Drain Pump Kit 25kg/h	150.00
6	UEKCOLL000	Fill/Drain Manifold 25-130kg/h	60.00
7	UEKDH00000	Drain Pump Hose / metre	27.50
	UEKTAM0000	TAM (Current Transformer)	84.00
	UEKCONT400	Contactar	POA
	UEKTR30000	Transformer 230-400 / 24v	POA

Wellness UE035W - UE045W

As above with the exception of:

No.	Code	Description	Price
10	UEKCONT500	Contactar	POA

Wellness UE065W

As above with the exception of:

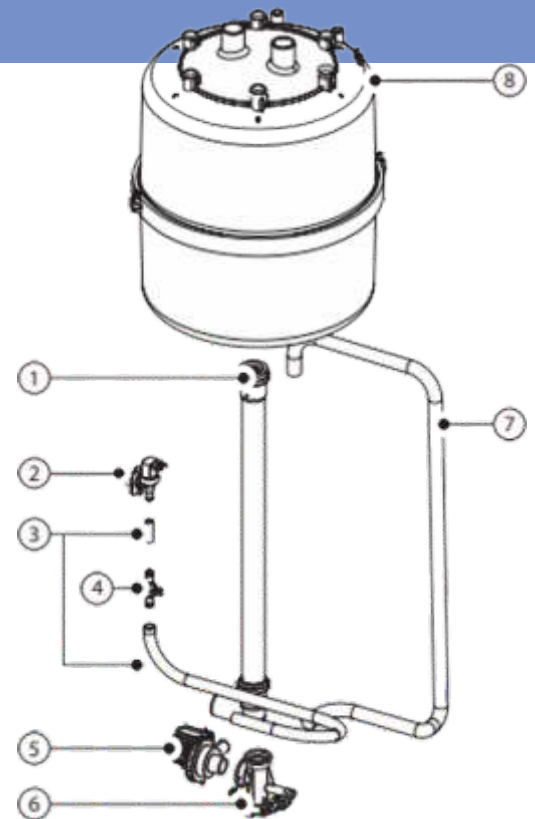
No.	Code	Description	Price
2	KITVC10070	Solenoid Fill Valve Kit 7l/min	55.00
3	UEKT10000XL	Internal Hose Kit	30.00
10	UEKCONT300	Contactar	POA

X-Plus UE025X

As above with the exception of:

No.	Code	Description	Price
10	UEKCONT200	Contactar	95.00

Other spares maybe available for special order.
Please specify exact model when enquiring.



KITPSE0000
Drain Pump



UEKCOLL000
Fill/Drain Manifold

Spares - Old Units UE010H & UE015H

Code	Description	Price
UEKVASC000	Fill Tank with conductivity meter	37.50
UEKT10000M	Internal Hose Kit	42.00
KITVC00012	Solenoid Fill Valve	55.00
13C499A030	Drain Valve Kit	POA
UEI00000000	Control Board version H-T (with TAM)	POA



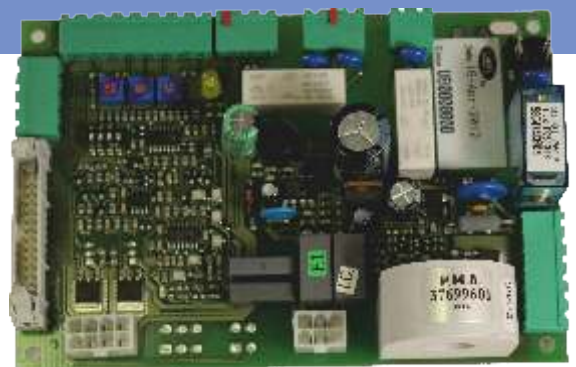
KITVC00012
Solenoid Fill Valve



13C499A030
Drain Valve Kit

Spares - Old Units UE025H

Code	Description	Price
UEKVASC000	Fill Tank with conductivity meter	37.50
UEKT10000L	Internal Hose Kit	30.00
KITVC00040	Solenoid Fill Valve	55.00
KITPS00000	Drain Valve Kit	145.00
UEIN000000	Control Board version H-T (no TAM)	POA



UEIN0000000
Control Board Version H-T

Other spares maybe available for special order.
Please specify exact model when enquiring.