

STEAM NORDMANN AT4D GENERATOR SPARES

Nordmann AT4D Steam Generator - Replacement Cylinders

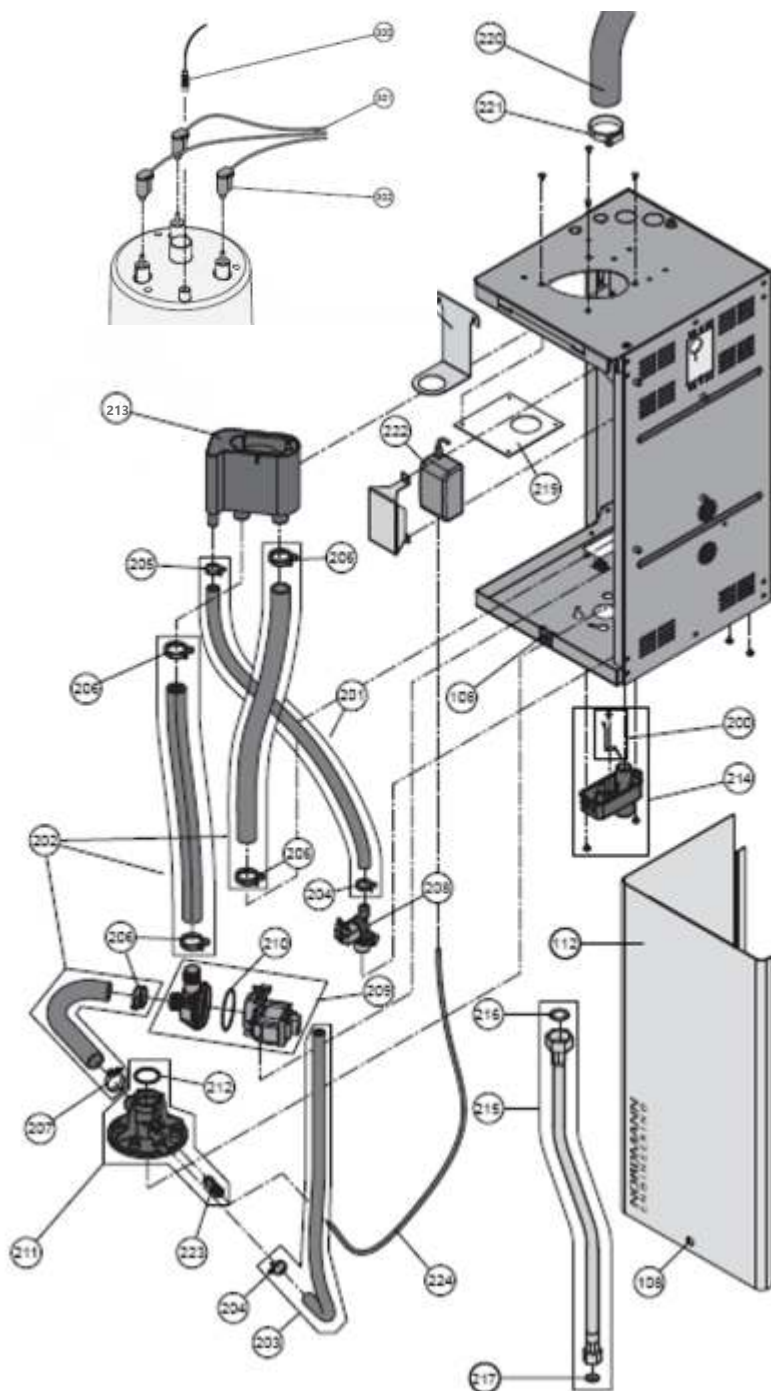


All Cylinders are classed as disposable, as the Nordmann Steam Generator is fitted with a "self-clean" system pump



Code	Description	Max. Output	Price
5170003	Cylinder 834A	8 kg/hr	135.00
5170005	Cylinder 1534A	15 kg/hr	150.00
5170007	Cylinder 2364A	23 kg/hr	215.00
5170009	Cylinder 3264A	32 kg/hr	245.00
5170011	Cylinder 4564A	45 kg/hr	295.00

Nordmann AT4D Generator Spares



No.	Code	Description	Price
201	2560092	Hose Set Inlet for 1534A & 2364A	27.00
202	2560112	Hose Set Pump for 1534A & 2364A	88.00
203	2560095	Drain Hose for 1534A & 2364A	17.00
208	2560021	Fill Valve - 15 & 23kg/hr - 1.2/min	35.00
209	2560166	Synchronous (Drain) Pump	95.00
210	2549680	Pump Housing Gasket	18.00
211	2560165	Coupling Sleeve	54.00
212	2402914	O'Ring	2.00
213	2559988	Water Cup	27.50
214	2560026	Drain Cup	35.00
220	2400010	Steam Hose/metre - 35/46mm dia. For use on 1534A & 2364A Cylinders	48.00/m
221	HC3850	Hose Clip - Stainless Steel	4.25
222	2559911	SC System Pump	120.00
223	2560221	Check Valve for SC System Pump	40.00
300	2553025	Sensor Plug & Cable	37.50
302	2553024	Electrode Cap (pk of 3)	50.00



2560166
Synchronous Drain Pump



2553024
Electrode Cap (pk of 3)



2560021
Fill Valve

Nordmann AT3000D Steam Generator - Replacement Cylinders

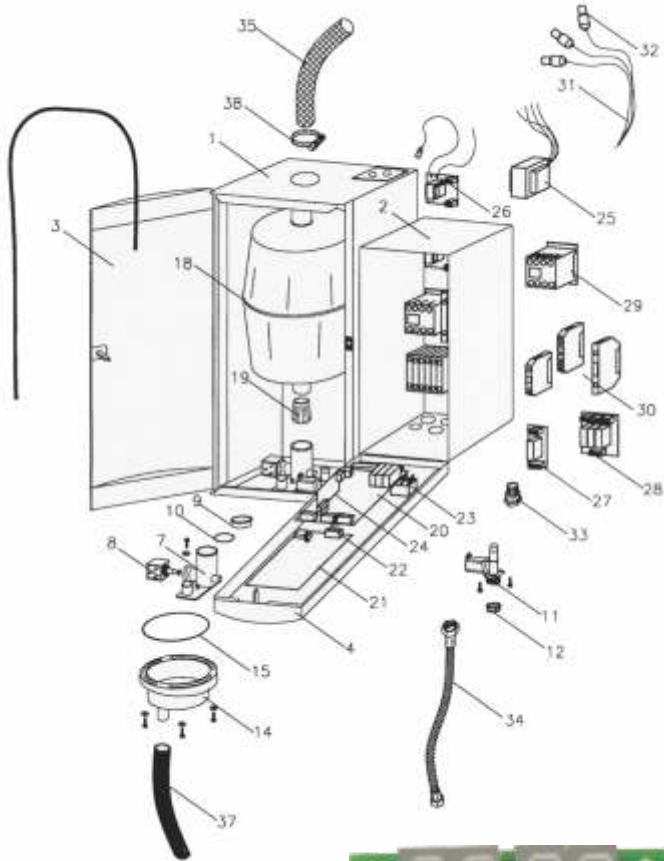


All Cylinders are classed as disposable, as the Nordmann Steam Generator is fitted with a "self-clean" system pump



Code	Description	Maximum Output	Price
6391511	Cylinder 424	4 kg/hr	75.00
6391513	Cylinder 434	4 kg/hr	85.00
6391523	Cylinder 834	8 kg/hr	125.00
6391531	Cylinder 1534	15 kg/hr	135.00
6391541	Cylinder 2364	23 kg/hr	195.00

Nordmann AT3000D Generator Spares - *While Stocks Last*

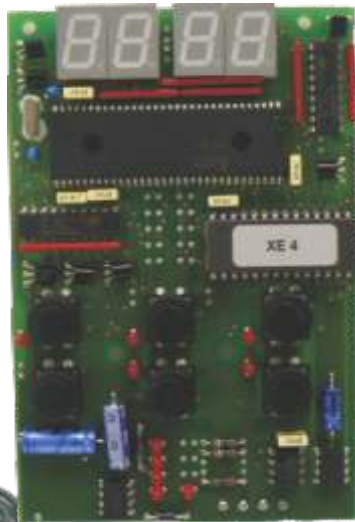


No.	Code	Description	Price
4	2402879	Keypad-Panel AT3000D with lock	125.00
8	2402804	Drain Operator (coil & plunger)240v	120.00
9	2402820	Support Ring for "O" Ring - Each	25.00
10	2402914	"O" Ring - Each	1.20
	2402918	Internal Gasket Outlet Valve (pk of 10)	20.00
11	9030002	Fill Valve - in-line - 4kg/hr - Yellow type	35.00
11	9030011	Fill Valve - in-line - 8kg/hr - Green type	35.00
11	9030040	Fill Valve - in-line - 15 & 23kg/hr - Blue	35.00
11	9030041	Fill Valve - in-line - 23 & 45kg/hr - Pink	35.00
11	9030046	Fill Valve - 90 deg - 4kg/hr - Yellow	35.00
11	9030044	Fill Valve - 90 deg - 8kg/hr - Green	35.00
11	9030042	Fill Valve - 90 deg - 15 & 23kg/hr - Blue	35.00
11	9030043	Fill Valve - 90 deg - 23 & 45kg/hr - Pink	35.00
12	9030022	Filter for water intake valves	11.50
	SH03	Set of 3 hoses & clips for 2402837	51.50
14	6392039	Drainage Cup Horizontal & screws	62.00
15	2402916	"O" Ring for drainage cup	6.50
19	3826006	Drainage Strainer	27.50
25	2539258	Transformer 230v/24v	70.00
29	2538522	D09 Contactor - for 1534 unit	70.00
21	2537667	Key Pad & Display PCB	295.00
31	2538562	Power Cable Set - 1534 Unit	70.00
32	2537270	Electrode Plug only - EACH	20.00
	2402919	Level Sensor Plug only - EACH	5.00
	NPCS	1m of Red/White & Black Power Cable	10.00
34	2402913	Water Supply Hose 3/4" x 22mm	18.00
35	2400010	Steam Hose/metre - 35/46mm dia. For use on 1534 & 2364 Cylinders	48.00/m
38	HC3850	Hose Clip - Stainless Steel	4.25
35	1105176	Steam Hose/metre - 22/31mm dia. For use on 424, 434 & 834 Cylinders	30.00/m
38	HC3240	Hose Clip - Stainless Steel	4.25
36	2400011	Condensate Hose - 6/10mm dia.	10.00/m
	2402746	Temperature Sensor (1m cable)	80.00
Fuses:	2402940	Fuses F2 rated 1.6 Amp - Pack 10	7.00
	2402941	Fuses F1 rated 6.3 Amp - Pack 10	7.00
	2402942	Fuses 3.15 Amp - Pack 10	7.00

8 2402804
Drain Operator



11 9030042 **11 9030040**
Fill Valve - 90deg. - Blue Fill Valve - In-line - Blue



21 2537667
Keypad & Display PCB
1 left in stock



32 2537270
Electrode Plug



2402746
Sensor & 1 m Cable



29 2538523
Contactor



14 2538978
Drainage Cup Vertical