

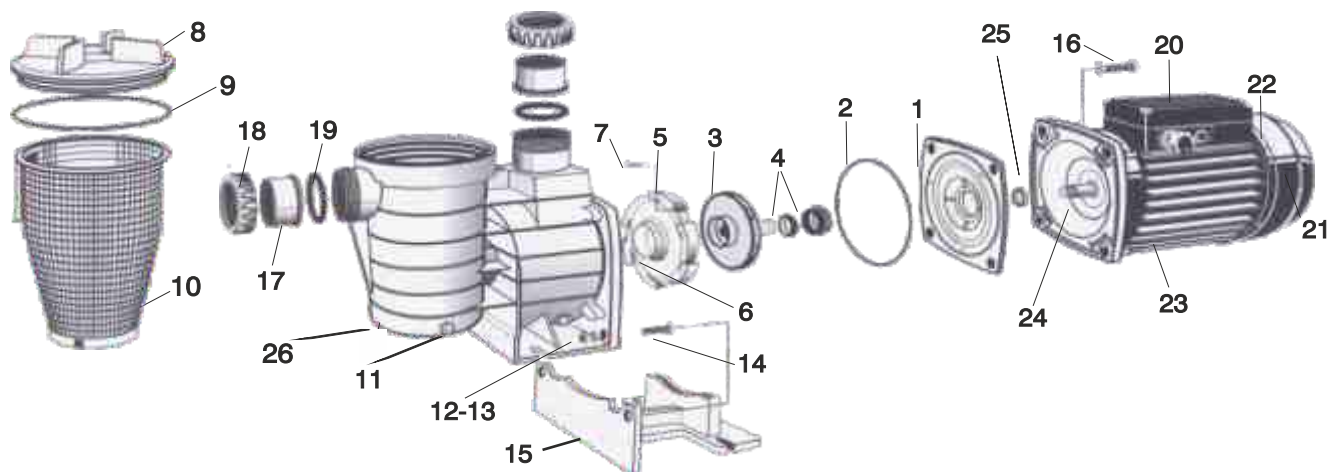
Certikin AquaSpeed Pumps



Pump Code	Suction & Delivery	HP	kW	Electrical Supply	Price
AQP051N	1.5/2"	0.50	0.25	Single Phase	547.00
AQP071N	1.5/2"	0.75	0.56	Single Phase	571.00
AQP101N	1.5/2"	1.00	0.75	Single Phase	599.00
AQP151N	1.5/2"	1.50	1.10	Single Phase	645.00
AQP201N	2"	2.00	1.50	Single Phase	660.00
AQP301N	2"	3.00	2.25	Single Phase	615.00
AQP073N	1.5/2"	0.75	0.56	Three Phase	566.00
AQP103N	1.5/2"	1.00	0.75	Three Phase	582.00
AQP153N	1.5/2"	1.50	1.10	Three Phase	590.00
AQP203N	2"	2.00	1.50	Three Phase	608.00
AQP303N	2"	3.00	2.25	Three Phase	613.50

Pump Code	HP	Electrical Supply	Price	Pump Code	HP	Electrical Supply	Price
AQP2151N	2 Speed 1.5HP	Single Phase	675.00	AQP100ECO-V	1.0HP	Variable Speed	1,295.00
				AQP150ECO-V	1.5HP	Variable Speed	1,380.00

AquaSpeed Pump - Spares



No.	Code	Description	Price	No.	Code	Description	Price
1	SPAQ18	Adaptor Plate with Sprung Part of Mechanical Seal	58.23	16	SPAQ41	Motor - Body Washer 0.5 - 2HP	4.83
2	SPAQ19	Main Body 'O' Ring	16.19	16a	SPAQ42	Motor - Body Bolt 3HP allen key	9.33
3	SPAQ20	0.5HP Impeller	60.94	17	SPAQ16	Socket Union Adaptor 2"	3.98
3	SPAQ21	0.75HP Impeller	60.94	17	SPAQ16M	Socket Union Adaptor 63mm	4.17
3	SPAQ22	1HP Impeller	60.94	18	SPAQ15	Socket Union Nut	4.17
3	SPAQ23	1.5HP Impeller	60.50	19	SPAQ17	Socket Union 'O' Ring	0.78
3	SPAQ24	2HP Impeller	60.50	20	SPMG01	Capacitor 0.5HP (14µF)	21.71
3	SPAQ26	3HP Impeller	71.50	20	SPMG02	Capacitor 0.75HP (20µF)	24.83
3	SPAQ44	Pump Seal	36.84	20	SPMG03S	Capacitor 1-1.5HP (25µF)70mm x 45mm	27.93
4	SPAQ29	Diffuser 0.5HP to 2HP	41.65	20	SPMG03L	Capacitor 1-1.5HP (25µF)95mm x 45mm	27.93
5	SPAQ30	Diffuser 2.5HP to 3.5HP	36.65	20	SPMG04S	Capacitor 1.5HP (16µF)2 Speed 70mm x 35mm	27.95
5	SPAQ31	Diffuser Gasket	3.53	20	SPMG04M	Capacitor 1.5HP (16µF)2 Speed 70mm x 40mm	27.95
6	SPAQ32	Diffuser Screw 0.5HP to 2HP - Self Tapper	4.39	20	SPGM04L	Capacitor 1.5HP (16µF)2 Speed 70mm x 45mm	27.95
7	SPAQ32L	Diffuser Screw 2.5HP to 3.5HP - Self Tapper	0.90	20	SPMG05	Capacitor 2, 2.5 & 3HP (30µF)70mm x 45mm	31.33
7	SPAQ47	Diffuser Screw 0.5HP to 2HP - Pan Head	1.05	21	SPMG05N	Capacitor 2, 2.5 & 3HP (30µF)70mm x 45mm	31.33
7	SPAQ48	Diffuser Screw 2.5HP to 3HP - Pan Head	9.13	21	SPMG06	Motor Fan 0.5HP - 0.75HP	5.31
8	SPAQ33	Strainer Lid	35.94	21	SPMG07	Motor Fan 1HP - 1.5HP	5.65
8	SPAQ34	Strainer Lid 'O' Ring	16.95	22	SPMG08	Motor Fan 2HP - 3.5HP	6.44
9	SPAQ35	Strainer Basket	39.53	22	SPMG09	Fan Cover 0.5HP - 0.75HP	7.64
10	SPAQ36	Drain Plug	3.14	22	SPMG10	Fan Cover 1HP - 1.5HP	11.10
11	SPAQ37	Foot M6 Nut - Stainless Steel	1.85	25	SPMG11	Fan Cover 2HP - 3.5HP	11.02
12	SPAQ38	Foot M6 Washer - Stainless Steel	2.56	26	AQPM354	Water Slinger	7.02
13	SPAQ39	Foot M6 x 25mm Bolt - S/Steel	3.73		SPAQW	Wet End - without Impeller	248.53

Part 23 Aquaspeed Motors only

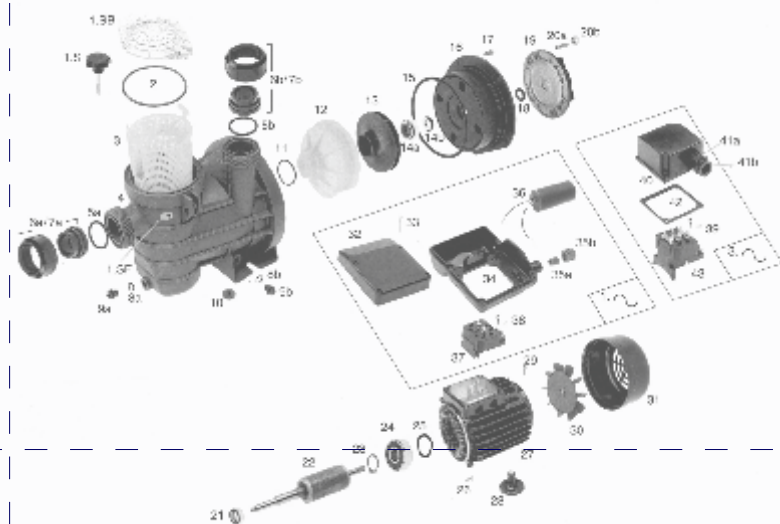
Code	HP / kW	Pump Type	Price	Code	HP / kW	Pump Type	Price
SPAQM051	0.50 / 0.25	Single Phase	243.45	SPAQM073	0.75 / 0.56	Three Phase	242.75
SPAQM071	0.75 / 0.56	Single Phase	257.32	SPAQM103	1.00 / 0.75	Three Phase	256.63
SPAQM101	1.00 / 0.75	Single Phase	263.55	SPAQM153	1.50 / 1.10	Three Phase	277.43
SPAQM151	1.50 / 1.10	Single Phase	311.07	SPAQM203	2.00 / 1.50	Three Phase	298.24
SPAQM201	2.00 / 1.50	Single Phase	388.40	SPAQM303	3.00 / 2.20	Three Phase	312.11
SPAQM301	3.00 / 2.20	Single Phase	364.82				

CK NEW HPS Swimflo Pumps



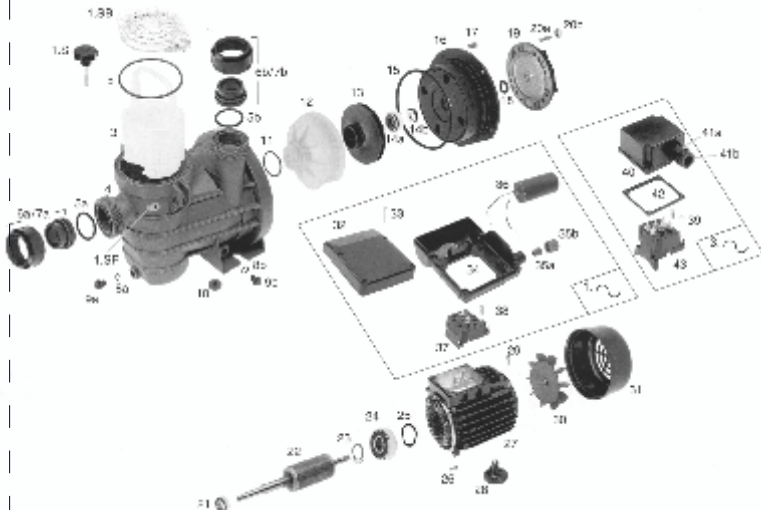
Pump Code	HP	KW	Power Supply	Connection	Price
HPS031SM	0.3HP	0.24	Single Phase	1.5"	465.00
HPS051SM	0.50	0.37	Single Phase	1.5"	494.00
HPS071SM	0.75	0.55	Single Phase	1.5"	514.00
HPS101SM	1.00	0.74	Single Phase	1.5"	530.00
HPS151SM	1.50	1.10	Single Phase	1.5"	580.00

Certikin HPS Swimflo / HPS Hydrosxim Pump - SPARES



Item No.	Code	Description	Price
1.S	SPHSP03	Lid Handwheel	16.98
1.SB	SPHSP01	Clear Lid	76.36
1.SB	SPHSP01S	Clear Lid - Screw Top	52.48
1.SF	SPHSP03N	Handwheel Swivel Nut	12.40
2	SPHSP02	Lid 'O' Ring	12.04
3	SPHSP04	Strainer Basket	17.19
4	SPHSP10	Pump Body	176.06
6, 7 A+B	HS1152	Pump Union - 1.5"	6.51
8, 9 A+B	SPHSP09	Drain Plug & 'O' Ring	10.06
11	SPHSP11	Diffuser 'O' Ring	13.61
12	SPHSP12	Diffuser	50.06
13	SPHSP50	Impeller - 0.33 HP	56.05
13	SPHSP51	Impeller - 0.5 HP	56.05
13	SPHSP52	Impeller - 0.75 HP	56.05
13	SPHSP53	Impeller - 1 HP	56.05
13	SPHSP54	Impeller - 1.5 HP	56.05
14 A+B	SPHSP05	Mechanical Seal	35.48
15	SPHSP115	Body 'O' Ring	14.17
	SPHSP116	Pump Flange - 0.33, 0.5 & 0.75HP	74.52
16	SPHSP117	Pump Flange - 1HP & 1.5HP	75.50
18	SPHSP73	Water Slinger	6.00
28	SPHSP31	Motor Support 0.33, 0.5, 0.75HP	8.08
30	SPHSP16	Motor Fan 0.33, 0.5, 0.75HP	16.84
38, 39	SPHSP102	Terminal Block Screw - all	0.87

Old Series Certikin HGS Hydrosxim Pump - Spares only



Item No.	Code	Description	Price
1.S	SPHSP03	Lid Handwheel	16.98
1.SB	SPHSP21	Clear Lid - 150mm diameter	66.55
1.SF	SPHSP03N	Handwheel Swivel Nut	12.40
2	SPHSP22	Lid 'O' Ring	7.79
3	SPHSP24	Strainer Basket	40.32
4	SPHSP20	Pump Body	222.01
6, 7 A+B	HS2152	Pump Union - 2"	12.08
8, 9 A+B	SPHSP09	Drain Plug & 'O' Ring	10.06
11	SPHSP11	Diffuser 'O' Ring	13.61
12	SPHSP39	Diffuser	33.94
13	SPHSP51G	Impeller - 0.5 HP	54.45
13	SPHSP52G	Impeller - 0.75 HP	55.66
13	SPHSP53G	Impeller - 1 HP	56.87
13	SPHSP54G	Impeller - 1.5 HP	58.08
13	SPHSP68	Impeller - 2 HP	59.29
13	SPHSP69	Impeller - 2.5 & 3HP single phase	60.50
13	SPHSP30	Impeller - 3 & 4 HP three phase	57.14
14 A+B	SPHSP05	Mechanical Seal	35.48
15	SPHSP36	Body 'O' Ring	13.92
	SPHSP36S	Body 'O' Ring HGS Swimflo	5.32
16	SPHSP71	Pump Flange - 0.5HP - 1HP	90.50
	SPHSP71L	Pump Flange - 1.5HP - 3HP	78.87
18	SPHSP73	Water Slinger	6.00?

PUMPS & FILTERS

CERTIKIN SWIMFLO PLUS PUMPS & SPARES

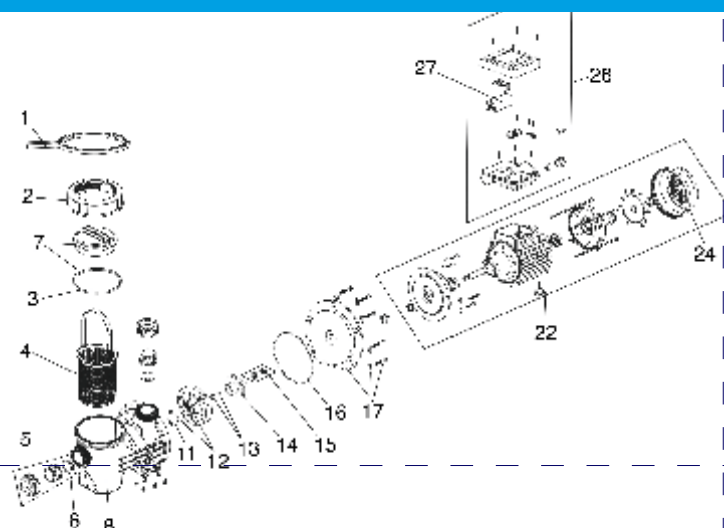
Certikin HGS Swimflo Plus Pumps 1.5" & 2" Suction & Delivery

Pump Code	HP	kW	Power Supply	Connection	Price
HGS051SM	0.50	0.37	Single Phase	1.5"	520.00
HGS071SM	0.75	0.55	Single Phase	1.5"	568.00
HGS101SM	1.00	0.74	Single Phase	1.5"	601.00
HGS151SM	1.50	1.10	Single Phase	2"	640.00
HGS201SM	2.00	1.50	Single Phase	2"	685.00
HGS251SM	2.50	1.84	Single Phase	2"	775.00
HGS301SM	3.00	2.20	Single Phase	2"	854.00
HGS073SM	0.75	0.55	Three Phase	1.5"	568.00
HGS103SM	1.00	0.74	Three Phase	1.5"	601.00
HGS153SM	1.50	1.10	Three Phase	2"	640.00
HGS203SM	2.00	1.50	Three Phase	2"	685.00
HGS303SM	3.00	2.20	Three Phase	2"	830.00



Certikin Swimflo Plus Pump - Spares

Item No.	Code	Description	Price
3	SPHSP22SM	Lid 'O' Ring	7.92
4	SPHGSSM04	Strainer Basket	11.99
5	SPHGSSM06	1.5" Union Kit	14.12
7	CE05012002	Lid & Gasket	41.66
8	CE05012055	Wet End (Pump Body +)	225.68
13	CE05010134	Impeller Screw LH thread	19.19
14	CE05012015	Impeller 0.5HP single phase	58.08
14	CE05012016	Impeller 0.75HP single phase	58.08
14	CE05012017	Impeller 1.0HP single phase	58.08
14	CE05012018	Impeller 1.5HP single phase	58.08
14	CE05012019	Impeller 2.0HP single phase	58.08
14	CE05012020	Impeller 2.5HP single phase	58.08
14	CE05012021	Impeller 3.0HP single phase	58.08
14	CE05012022	Impeller 0.5HP three phase	58.08
14	CE05012023	Impeller 0.75HP three phase	58.08
14	CE05012024	Impeller 1.0HP three phase	58.08
14	CE05012025	Impeller 1.5HP three phase	58.08
14	CE05012026	Impeller 2.0HP three phase	58.08
14	CE05012027	Impeller 3.0HP three phase	58.08
15	CE05012028	Mechanical Seal	37.95
16	CE05012029	Flat Body Basket 193x5x11.5	10.95



Certikin Mini Pumps 1.5" Suction & Delivery

Pump Code	HP	kW	Power Supply	Price
NEWMP025M	0.25	0.20	Single Phase	319.00
NEWMP033M	0.33	0.25	Single Phase	327.00
NEWMP050M	0.50	0.37	Single Phase	347.00
NEWMP075M-IF	0.75	0.55	Single Phase	378.00



Certikin Mini Pump - Spares

Item No.	Code	Description	Price
1	SPIM06000	Lid - Screw Type	13.88
2	SPIM18015	Strainer Basket	10.55
3	SPIM21005	Lid "O" Ring	2.66
9	SPIM41025	Mini Pump Body	54.45
10	SPIM21050	Diffuser "O" Ring	3.03
11	SPIM46020	Diffuser	12.04
12	SPIM31070	Impeller Nut	3.57
13	SPIM51105	Impeller 0.25HP	26.62
13	SPIM51110	Impeller 0.33HP	26.62
13	SPIM51115	Impeller 0.5 HP	26.62
13	SPIM51125	Impeller 0.75HP	26.62
14	SPIM21075	Body "O" Ring	4.54
15	SPIM56000	Mechanical Seal	12.98
34	SPIM86040	Fan	5.93
35	SPIM86050	Fan Ring	1.15
36	SPIM86055	Fan Cover	5.99
38	SPIM76010	Union Nut only	4.66
41	SPIM76000	Lid Tool	12.22

