

YAKO Chemical Transfer Pumps



G0055
fitted with
VITON diaphragm

G0056
fitted with
EPDM diaphragm

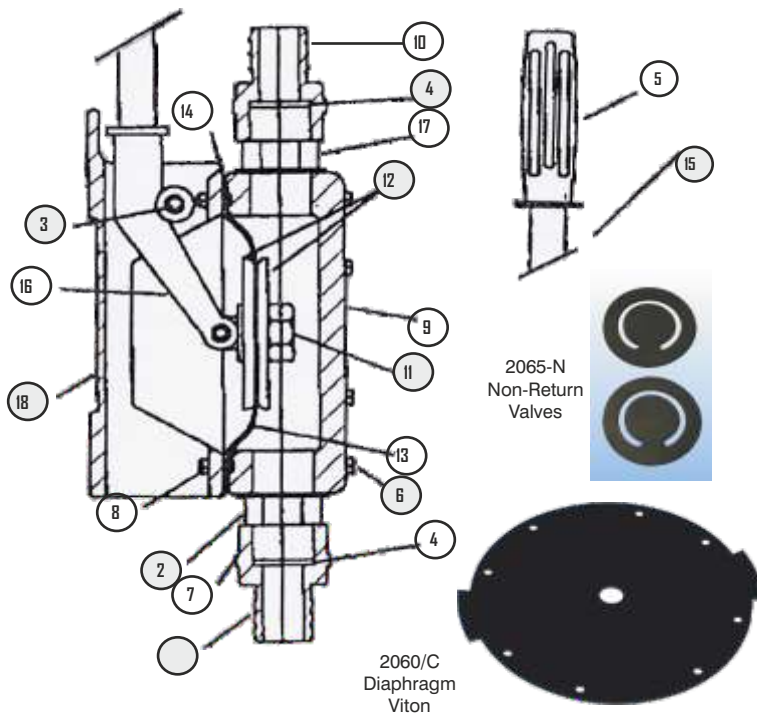
Code	Description	Price
G0055	YAKO Manual Transfer Pump (VITON Diaphragm) c/w 3m 1 1/4" RPVC suction/delivery hose & SS hose clips	385.00

VITON Diaphragm - suitable for Sodium & Calcium Hypochlorite

G0056	YAKO Manual Transfer Pump (EPDM Diaphragm) c/w 3m 1 1/4" RPVC suction/delivery hose & hose clips	345.00
-------	---	--------

EPDM Diaphragm - suitable for Hydrochloric Acid & Alkalis

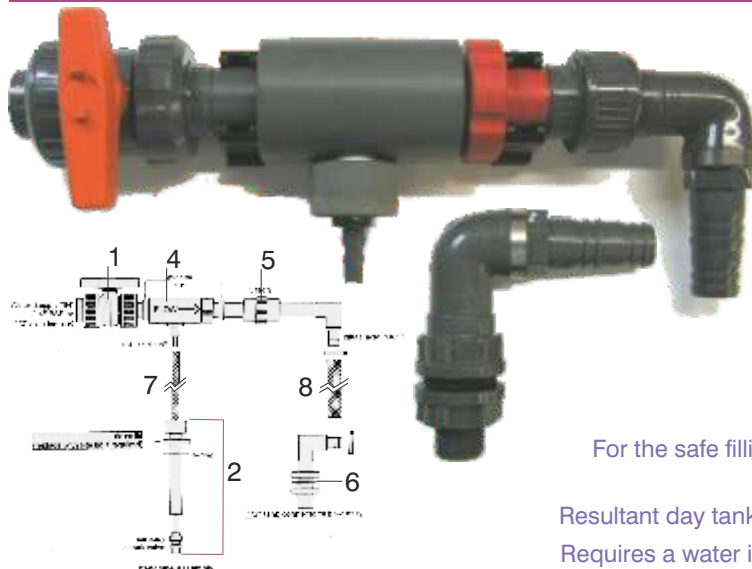
YAKO Transfer Pump Spares



No.	Code	Item	Price
	2063E	Spares Kit - 2 no. Non Return Valves 1 no. EPDM Diaphragm, 1 no. Body "O" Ring	40.00
	2064V	Spares Kit - 2 no. Non Return Valves 1 no. VITON Diaphragm, 1 no. Body "O" Ring	60.00
1/7	28-G073	1" Hosetail (suction)	23.00
1/7	28-G074	1.25" Hosetail (suction)	23.00
3	2073	Pivot Pin & Nut	1.00
4	2065-N	Non-Return Valve (Viton) - each	10.00
5/15	2069	Handle & Grip	30.00
6/8	2066	Body Bolt & Nut	1.50
9	2067-N	PVC Front Pump Housing (Includes items 2 & 17)	175.00
10	28-G080	1" Hosetail (delivery)	22.00
10	28-G081	1.25" Hosetail (delivery)	22.00
11	2077	Retaining Nut	6.00
12	2078	Diaphragm Plates - Pair	25.00
13	2060/C	Diaphragm (Viton)	40.00
13	2060/B	Diaphragm (EPDM)	20.00
14	2067/s	Body "O" Ring	8.00
18	2062	Rear Mount Body - PVC Coated	125.00
16	2061	Operating Arm	50.00
	2061-PVC-KIT	PVC Adaptor & Brass Rivet	30.00

As an alternative, the operating arm can be repaired using the following PVC Kit

Hydrochloric Acid Venturi Dilutor



Code	Description	Price
AD	Hydrochloric Acid Venturi Dilutor Kit c/w drum suction lance assembly	400.00
ADBV	1 1/2" Double Union Ball Valve	32.00
ADSA	2 DN8 Rigid Suction Assembly	90.00
9-AD-SK	Spare Seals Kit - 2 x (4) & 1 x (5)	13.00
ADTG	6 Gasket, EPDM 1/2" Tank Connection	4.25
CX07M	7 12mm OD x 6mm ID RPVC Hose	1.75/metre
CX19M	8 25mm OD X19mm ID RPVC Hose	3.00/metre
HC2232	Stainless Steel Hose Clamp 22-32mm	4.25

For the safe filling of day tanks from acid drums and carboys via mains water
"venturi" principle blending.

Resultant day tank acid solution strength adjustable between approx. 3% and 10%.
Requires a water in-flow of at least 16 litres/minute at a minimum of 1 bar pressure.

ORDERS OVER £100 NETT FREE CARRIAGE*

*EXCEPT VOLUME/BULKY ITEMS; PLEASE ASK FOR A QUOTE ~ SALES@LEISURETEQ.CO.UK

CHEMICAL DOSING

CHEMICAL TRANSFER PUMP & FILL VALVES

Economy Chemical Transfer Pumps

Code	Description	Price
EQPSYP	PP25 Koshin Syphon Pump Economy hand transfer pump for weak acids and alkalis.	32.50
VLHP	Lever Hand Pump - Viton Seals Economy hand transfer pump for aggressive chemicals Adjustable Shaft length Supplied c/w 1 metre 1" RPVC & S/S Hose Clamp	130.00



Lutz Jesco Electric Transfer Pump

The **Lutz B2 Vario Transfer Pump** offers features and benefits to meet the needs of the maintenance technician when transferring **sodium hypochlorite**** and other pool and spa chemicals.

The speed-controllable motor enables small quantities of liquids to be transferred safely and quietly, and the modular construction enables effortless servicing without special tools.

** Polypropylene is only conditionally resistant to sodium hypochlorite.

The pump **MUST NOT** be left in the fluid when not in use, and the pump **MUST** be flushed through with clean fresh water after each use.

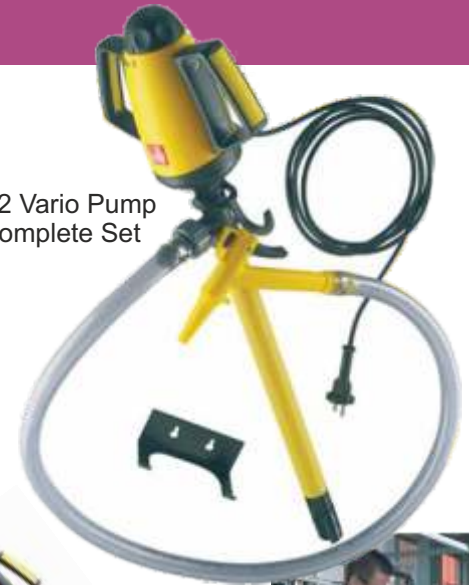
Pump Materials:

* Housing:	Polypropylene/PVDF
* Impeller:	Polypropylene
* Seals:	None
* Mechanical Seals:	None
* Bearing:	ETFE#/PTFE
# ETFE = Ethylene-Tetrafluoroethylene Copolymer	
* Drive Shaft:	Hastelloy C
All suction tubes are 1000mm long	

Specification:

* Ultra quiet variable speed motor with safety cut-out
* 200w motor (230v), 180w motor (110v)
* Delivery Rate: 75l/min (230v), 62l/min (110v)
* Delivery Head: 7m head (230v), 5m head (110v)
* Viscosity: up to 300 mPas
* Temp of Liquid: up to 50degC
* Weight: Motor + Suction Tube 2.5kg

B2 Vario Pump Complete Set



Code	Description	Price
Vario-Set230	B2 Vario Pump Complete Set - 230v Pump c/w Lutz-Nozzle, 2 x 3/4" Hose Clips, 1.5 metre 3/4" RPVC Hose & Wall Bracket	525.00
Vario-Set110	B2 Vario Pump Complete Set - 110v Pump c/w Lutz-Nozzle, 2 x 3/4" Hose Clips, 1.5 metre 3/4" RPVC Hose & Wall Bracket	525.00
Vario-Acs-Set	Vario Accessory Set 1.5 metre 3/4" RPVC Hose, Nozzle & Connections	120.00



Safety Fill Valve

Code	Description	Price
SFV	Safety Auto Shut-Off Fill Valve Kit c/w 1 metre white semi-rigid plastic fill pipe from valve to day tank, day tank connector & flow valve (15mm cold water supply, compression connections). compression fitting connect.	75.00

Protects from accidental over-filling of day tank!!
Push action water fill-up valve - allows fill when continually pressed.
If you release, then valve closes after 15 - 25 seconds.

SFV
Safety Auto Shut-Off
Fill Valve Kit



Wall
Fixing

Tundish Air Gap Devices

Code	Description	Price
TD1522M	Plastic Tundish 15mm Comp x 22mm Comp	22.00
TD2201	Plastic Tundish 22mm x 1" F/T	22.00
TD3401	Angled Plastic Tundish 3/4" MT x 1" FT	22.00

Tundishes (AA Air Gap Devices) required for compliance with Water Regulations when filling chemical day tanks



TD1522M

TD3401