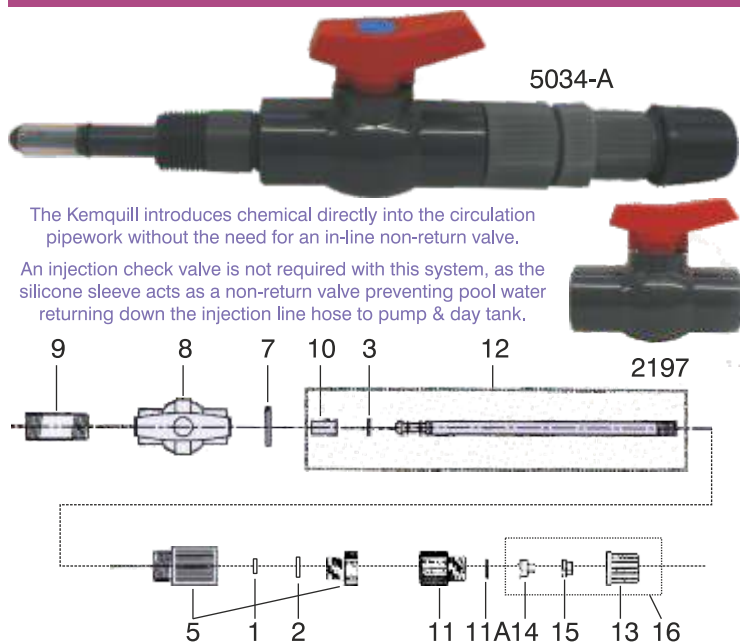


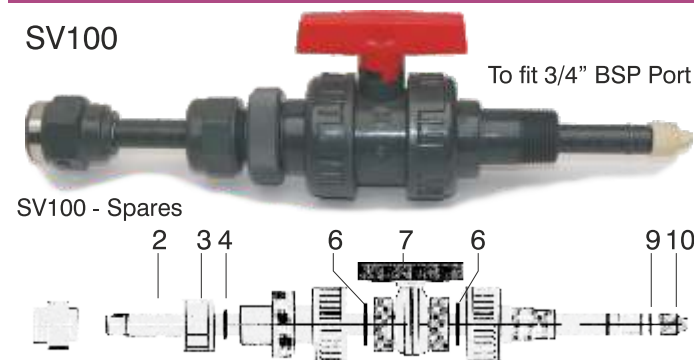
TEQ Kemquill Injectors & Spares



The Kemquill introduces chemical directly into the circulation pipework without the need for an in-line non-return valve. An injection check valve is not required with this system, as the silicone sleeve acts as a non-return valve preventing pool water returning down the injection line hose to pump & day tank.

No.	Code	Description	Price
	5034-A	Kemquill Injector - fits 1/2" BSP port Includes 1/2" & 3/8" OD hose connection kit	110.00
	5034-OR	Kemquill O-Ring Kit Includes: 3 x item 1, 2, 3, 7 & 11A	7.50
10	5032	Pack of 10 - Silicone Sleeves	3.00
5	5043	Lock Nut and Extension Piece	23.50
8	2197	1/2" F/T Compact Ball Valve	24.00
9	2189	1/2" MT/MT Nipple	4.00
11	5046	Adaptor c/w "O" Ring	16.00
12	5044-A	Solution Tube Assy (225mm)	25.00
12	5044-L	Solution Tube Assy (300mm)	47.00
16	77383	3/8" OD Hose Connection Assembly Cone, Sleeve & Universal Coupling Nut	15.50
16	77384	1/2" OD Hose Connection Assembly Cone, Sleeve & Universal Coupling Nut	15.50

Stop Valve Injectors & Spares



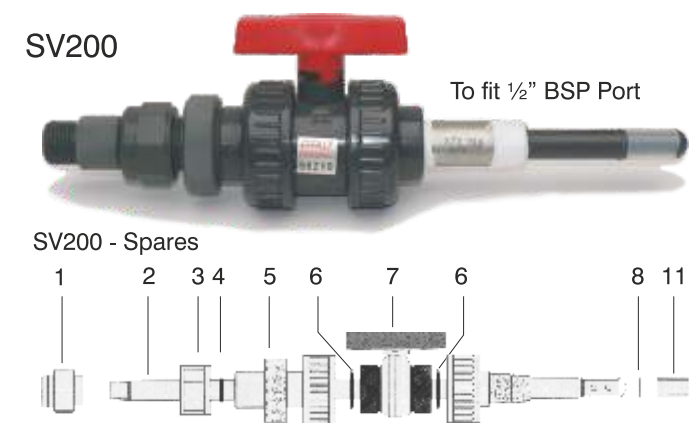
SV100

To fit 3/4" BSP Port

SV100 - Spares

Code	Description	Price
SV100	Stop Valve/Injector - fits 3/4" BSP port Calcium/Sodium Hypochlorite (50lt/hr max)	150.00
SV100-SK	SV100 Spares Kit Kit Includes: 1x(4), 2x(6), 2x(9), 6x(10)	91.50
SV122	1/4" Solution Tube (2)	25.00
SV123	1/2" BSP x 14mm ID Cap (3)	7.50
EF034BV	3/4" BSP PVC Effast Ball Valve (7)	26.50

The SV100 is a low maintenance injector for Sodium and Calcium Hypochlorite. The design features a flapper valve and a tapered solution tube to prevent accidental withdrawal when under pressure.



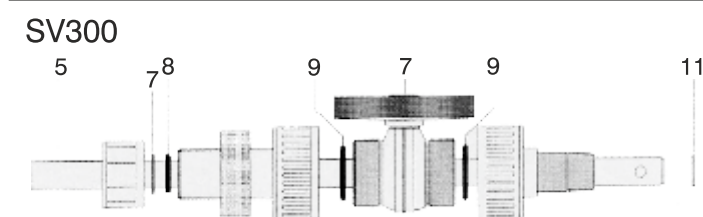
SV200

To fit 1/2" BSP Port

SV200 - Spares

SV200	Stop Valve/Injector - fits 1/2" BSP port Sodium Hypochlorite, Acids, PAC injection Includes Imperial Fitting Kit	150.00
SV200-SK	SV200 Spares Kit Includes: 1x(4), 1x(5), 2x(6), 2x(8), 1x(10), 6x(13)	25.00
SV250	Hose Connection Assy (1)	10.50
SV222	1/4" Solution Tube (2)	25.00
SV123	1/2" BSP x 14mm ID Cap (3)	7.50
SV229/10	Pack of Silicone Sleeves (11)	8.50
EF034BV	3/4" BSP PVC Effast Ball Valve (7)	26.50

The SV200 does NOT require an Injection Check Valve. The principle is similar to the Kemquill, the delivery hose is connected at the rear of the injector using the "new style" LMI hose connection assemblies with a silicone sleeve at the injection point acting as a non-return valve.



SV300

SV300	3/4" BSP Injector c/w DN20 Sprung Valve Assembly	295.00
SV300-SK	Spares Kit: 1 x Check Valve Spares kit Plus: 1x(7), 1x(8), 2x(9), 2x(11)	67.50
SV300-SK2	Lance Spares Kit: 1 x Union End, 1x(5), 1x(11)	50.00
EF034BV	3/4" BSP Ball Valve (10)	26.50
DN20-SCV	DN20 Sprung Check Valve (2)	110.00

If you are unsure of any spare, please do not hesitate to contact us.
sales@leisureteq.co.uk