

TYLÖ Commercial VA Steam Generators only - Control Panel required



Code	Heater kW	to heat Room Size	Steam Output	Price
6VA	6 kW Generator	2 - 8m ³	8kg/hr	2,650.00
9VA	9 kW Generator	4 - 16m ³	12kg/hr	2,800.00
12VA	12 kW Generator	8 - 20m ³	16kg/hr	3,300.00
18VA	18 kW Generator	13 - 30m ³	24kg/hr	6,700.00
24VA	24 kW Generator	18 - 40m ³	32kg/hr	7,990.00

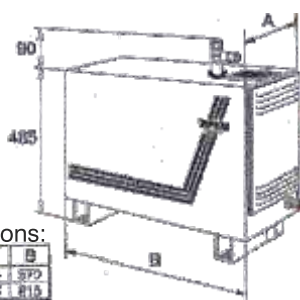
The TYLÖ VA steam generator requires a separate control panel to operate.

The steam generator can be located up to 15 metres away from the steam cabin.

- * Acid-resistant heating elements
- * Self-cleaning calcium-repellent electrodes
- * Built-in safety valve with temperature cut-off
- * Stainless steel water tank with automatic emptying & flushing
- * Solenoid valves with water filters and an adjustable steam head
- * Variable temperature control
- * Low water cut-off
- * Electronic water-level indicator

If the calcium hardness of the water supply is greater than 36mg/litre, a commercial water softener must be fitted on the incoming water supply to the generator to protect the manufacturer's warranty of the unit.

TYLÖ Sealed Tanks & New Style Elements



Dimensions:

HW	A	B
8-12	233	379
18-24	445	515

Code	Description	Price
83 96 000 187	6VA Sealed Tank Assembly	775.00
83 96 000 189	9/18VA Sealed Tank Assembly	775.00
83 96 000 188	12/24VA Sealed Tank Assembly	850.00

New Style VA Generator:

83 96 000 233	6VA Tank Element - each	175.00
83 96 000 234	9VA Tank Element - each	215.00
83 96 000 232	12VA Tank Element - each	220.00

TYLÖ Control Panels



H1



CC50



RB30

Code	Description	Price
CC50	Control Panel* - Digital - semi automatic/manual	473.00
H1	Control Panel* - Digital - 23 hours running time	553.00
RB30	Relay Box	553.00
RB60	Relay Box	1,276.00

* TYLÖ Control Panels are NOT supplied with Thermistor Sensors, please add 80 96 000 071 Thermistor (Sensor) @ £59.00 if required, (see Thermistor at bottom of this page).

CC50 Digital Control Panel displays time & bathing temperature, switch for sauna lighting & security code function. Programmable up to 12 hours running time. Size 130 x 190 x 27mm.

TYLÖ Digital Control Panel & Relay Box Spares



80 96 000 071



83 96 000 040

Code	Description	Price
80 96 000 071	Thermistor (Sensor)	59.00
83 96 000 040	6 Pole On/Off Switch (Relay Box)	92.00
80 96 000 091	Relay/PCB (RB 30 Relay box)	260.00

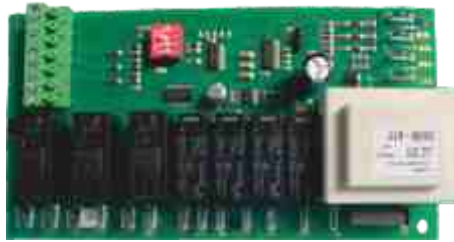
TYLO VA Steam Generator Spares

No.	Code	Description	Price
New Style VA Generators:			
1	83 96 000 233	6VA Tank Element - each	175.00
1	83 96 000 234	9VA Tank Element - each	215.00
1	83 96 000 232	12VA Tank Element - each	220.00

For older Steam Generator Sealed Tanks - see page opposite

All Tylo VA Generators:			
2	83 96 000 002	Temperature Limit Control 3 pole	103.50
3	83 96 000 042	Contactors 3 pole K209 A10	103.00
4	83 96 000 088	PCB - Post June 1996	402.50
5	82 96 000 130	Jet Nozzle only - Plastic	25.00
6	83 96 000 056	Solenoid Valve In	116.50
7	83 96 000 060	Activator for outlet valve - post 2002	108.00
8	83 96 000 123	Plunger for outlet valve - post 2002	41.50
9	83 96 000 180	Water Level Probe (long)	64.50
10	83 96 000 131	Outlet Mounting Kit - Complete	185.00
	83 96 000 040	VA - 6 pole On/Off Switch	92.00
	83 17 000 710	150mm Short Breather Hose	20.00
	2094-2994	Safety Valve 0.5bar	56.00

No. 6 - 83 96 000 056
Solenoid Valve In
*Supplied with
Long Water Hose*



No. 4 - 83 96 000 088
PCB - Post June 1996



No. 7 - 83 96 000060
Activator for Outlet Valve



No. 8 - 83 96 000 123
Plunger for Outlet
Valve

Steam Outlets:

Code	Description	Price
35 90 029 250	Grace Steam Outlet	81.00
82 96 000 130	Jet Nozzle only - Plastic	25.00

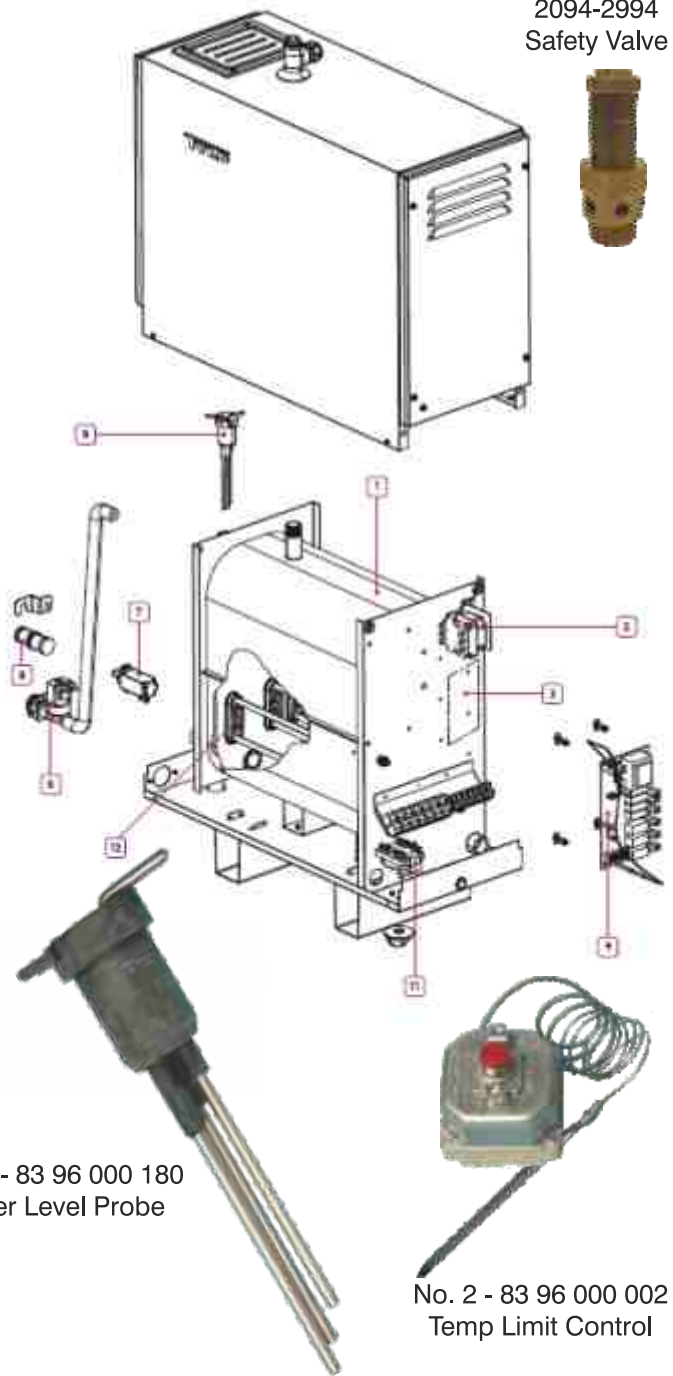


82 96 000 130
Steam Jet Nozzle only



35 90 029 250
Grace Steam Outlet

2094-2994
Safety Valve



Steam Outlets:

Code	Description	Price
35 90 029 250	Grace Steam Outlet	81.00
82 96 000 130	Jet Nozzle only - Plastic	25.00



82 96 000 130
Steam Jet Nozzle only



35 90 029 250
Grace Steam Outlet

helo Commercial Steam Generators - complete



Code	HELO Generator kW		Cabin Volume		Price
			Plastic	Tiled	
MT6/2/C	6 kW	Generator - 1 or 3 phase	8 m ³	3 m ³	2,750.00
MT9/2/C	9.5kW	Generator - 1 or 3 phase	15 m ³	6 m ³	2,950.00
MT12/2/C	12 kW	Generator - 3 phase only	18 m ³	8 m ³	3,400.00
MT14/2/C	14 kW	Generator - 3 phase only	20 m ³	9 m ³	3,600.00

All Commercial Steam Generators supplied c/w

- * Steam Generator
- * Auto Clean System
- * Digital Control Panel
- * Temperature Sensor
- * Std Steam Outlet Assembly
- * Connection Cables
- * Instructions for Installation & Operation

Dimensions: 520mm long x 160mm wide x 380mm high

HELO Steam Generators have a corrosion resistant case with stainless steel tank and heater elements for long life and high output, electronically controlled water feed solenoid valve with low water level cut-out, safety valve, standard steam outlet assembly (STHD/A/COMM), and flexible hose for water feed connection. Secondary protection of heater elements by overheat limit fuse. All commercial Steam Generators have an "Auto-Clean System" to drain & flush scale deposits from the tank each day - flushes after 4 hour "cool down" period.

Steam Generator Warranty: All steam generators must be protected with an appropriate commercial in-line water softener for the water supply where the water hardness exceeds 50mg/l Calcium Carbonate.

Code	Description	Price
MIDI/STEAM2	Midi Controller for HNS M2 Generators	375.00
S-ZH 37	Sensor with holder for M Series Generator <i>Allows remote mounting of MIDI Controller</i>	95.00



helo Steam Elements & Fuse Link



Generator	Element Code	Rating x No.	Required	Price*
4.7kW	SEPD98B	1567w	2	90.00
	SEPD112A (fused)	1567w	1	120.00
6 kW	SEPD99B	2000w	2	90.00
	SEPD113A (fused)	2000w	1	120.00
7.7 kW	SEPD100B	2567w	2	95.00
	SEPD114A (fused)	2567w	1	150.00
9.5 kW	SEPD116B	3000w	2	145.00
	SEPD115B (fused)	3500w	1	165.00
12 kW	SEPD119A	4250w	2	145.00
	SEPD115B (fused)	3500w	1	165.00
14 kW	SEPD116B	5250w	2	145.00
	SEPD115B (fused)	3500w	1	165.00
19558	Element Fuse Link (each)		60.00

* Elements are priced individually - NOT as a set

helo Steam Generator Spares

Common Spares (Commercial & Domestic)

Code	Description	Price
Sensor-C	Temperature Sensor c/w cable	50.00
NLWD1-1	Connector Block	14.00
SENS/ESC/C	Chrome Escutcheon for Sensor-C	19.00



Sensor-C



NLWD1-1



SENS/ESC/C

HST Commercial Generator

Code	Description	Price
OLEA21/C	PCB (Commercial Generator - no timer)	250.00
OKSE1-3	25 Amp Contactor - 3 phase	125.00
WProbe/HST	HST Water Level Probe	115.00
SafetyValve	Pressure Relief Valve (HSS/HST Gen)	50.00
KM01	Solenoid Water Inlet Valve	35.00
Dig/C	Commercial Control Panel (no cable, sensor, trim or back box)	250.00
DIG/CAB/ASSC	Digital Cable Assembly For Dig/C Commercial Control Panel above	16.00
AUTOCLEAN	Auto Clean (Autobox + Autovalve complete)	675.00
AUTOBOX	Control Box only (for Autoclean)	402.00
AUTOVALVE	Solenoid Valve & Control	470.00



WProbe/HLS



WProbe/HNS



W-ProbeHST



OLEA21/C



OKSE1-3

HSS Domestic Generator

Code	Description	Price
OLEA21	PCB (Domestic Generator <u>with</u> timer)	260.00
WProbe-HSS	Water Level Probe	97.50
DIG/I	Internal Digital Control (for HLS/HSS/HST Generators)	230.00
DIG/CAB/ASS	Digital Cable Assembly - Dig/I	25.00



AUTOCLEAN



AUTOVALVE

HNS & HLS Generators

Code	Description	Price
WProbe/HNS	HNS Water Level Probe	97.50
WProbe/HLS	HLS Water Level Probe	97.50
7819508	Solenoid Water Inlet Valve -HNS/HLS	65.00
7819708	Pressure Relief Valve - HNS/HLS	90.00
SafetyValve/HLS	Safety Valve - HNS/HLS	95.00



DIG/C



7819708



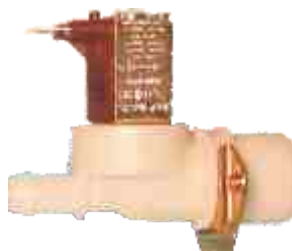
SafetyValve

M Series Generator

Code	Description	Price
OLEA72	Replacement PCB - M series only	445.00
MIDI/STEAM	Midi Controller - M-Series Generator	375.00

HNS-M2 Generator

Code	Description	Price
OLEA72-1	Replacement PCB (HNS-M2 Gen)	275.00
MIDI/STEAM2	Midi Controller (for HNS-M2 Gen)	375.00
S-ZH 37	Sensor with holder (for HNS-M2 Gen)	95.00

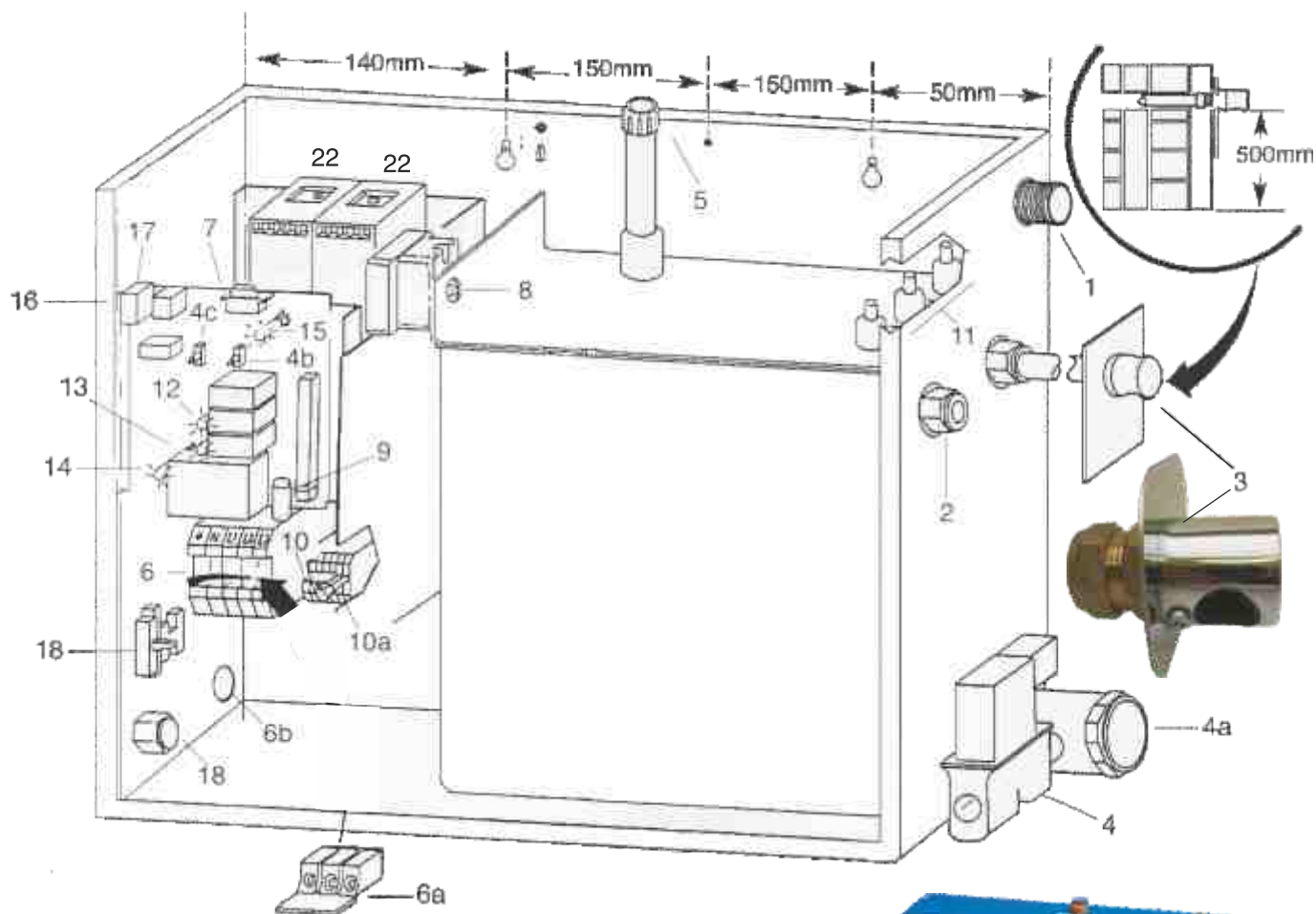


KM01



7819508

Certikin Steam Generator Spares



Spares:

No.	Code	Description	Price
1	VAK06	Inlet Water Solenoid	45.89
2	VAK18	Safety Valve	18.80
3	VAK01	Steam Outlet Nozzle - 15mm	143.77
3	VAK01C	Steam Outlet Nozzle - 22mm	165.60
4	VAK17	Outlet Solenoid	225.24
4a	VPIL92	Rubber Seal for Outlet	13.55
6	VAK43	Connector Blocks 3ph to 1ph	22.31
7	VAK09	PCB - Commercial (6-12kW +)	405.30
10	VAK43	Connector Block for KW Change	22.31
11	VAK03	Set of Blue Probes - AKW Gen.	101.33
11	VAK03/BKW	Set of Probes - BKW Generator	101.33
20	VAK10	Contacting C 4-9-M40	62.58
21	VAK21	Outer Case 6-9-12	384.30



Heating Elements:

For 6kW, 9kW or 12kW Generators - order 1 x VAK07, + 1 x VAK16
For 18kW or 24kW Generators - order 2 x VAK07 + 2 x VAK16 Elements

Code	Description	Price
VAK07	Set of 3 - 3kW Heater Elements	240.35
VAK16	1 x 3kW Heater Element c/w Cut Out	135.31

Other Spares:

VAK23	Main Connector Block	51.73	VAK45	Contacting C1-4-9-01	73.27
VAK28	Set of Controls - BKW Gen. C/w sensors	802.89	YH378	Tank 18-24kW	POA
VAK29	Time Clock for BJ Series	192.30	VAK69	Stat & Probe	231.54
VAK31/8	8 metre Lead with Probe (3 core) for BKW	106.83	CK7736	6 Metre Extension Lead & Plug	91.49
VAK31/15	15 metre Lead with Probe (3 core) for BKW	111.83	CK7737/9	5 Metre 9 Pin Sensor Lead	63.89
VAK34	24 hour Time Clock	141.99	CK7739N	Commercial Control Panel - BKW	818.71
VAK48	Fuse for PCB Board	3.15	CK7742	10 Metre 9 pin Sensor Lead	46.20