

Certikin Stainless Steel Hand Rail & Fittings - 32mm dia. - Grade 316



CK1
Handrail



CK76N
Open Bracket



CK76CN
Closed Bracket



JS1
Spigot

Code	Description	Price
Stainless Steel Handrail:		
CK120/3	32mm Diameter Handrail - 3 metre	135.00
JS120	32mm Rail-Rail Spigot Connector	13.50
Stainless Steel Brackets:		
CK76N	32mm Open Bracket c/w 2 fixings	77.50
CK76CN	32mm Closed Bracket c/w 2 fixings	77.50

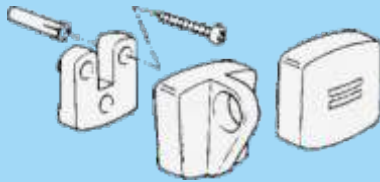
Certikin Stainless Steel Hand Rail & Plastic Fittings - 32mm dia.



HD76C
Closed Bracket



HD76
Open Bracket

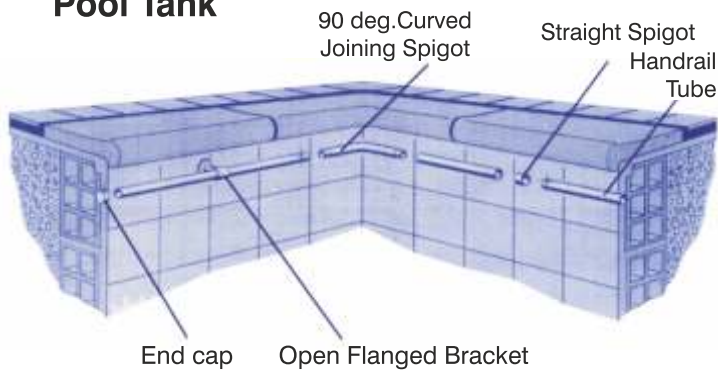


HD77
Clip Fit Bracket

Code	Description	Price
Stainless Steel Handrail:		
CK120/3	32mm Diameter Handrail - 3 metre	135.00
JS120	32mm Rail-Rail Spigot Connector	13.50
ABS Fittings:		
HD77	32mm Clip Fit Bracket c/w fixings	34.00
HD76	32mm Open Bracket	6.40
HD76C	32mm Closed Bracket	6.35
EC125	32mm Rail End Cap	3.10
ZZ0552	Set of 10 - Rawlplugs & Screws	8.35

ASTRAL Stainless Steel Hand Rails & Fittings - 43mm dia. Rails - Grade 316

Pool Tank



Code	Description	Price
05545	43mm Hand Rail - 1 metre with sealed ends	82.00
05545200	43mm Hand Rail - 2 metre with sealed ends	162.00
05545300	43mm Hand Rail - 3 metre with sealed ends	243.00
05545500	43mm Hand Rail - 5 metre with sealed ends	405.00
09452	43mm Straight Joining Spigot	72.00
11286	43mm 90 deg Curved Joining Spigot	117.00
08014	43mm End Cap	22.00
08013	43mm Open Flanged Bracket c/w gaskets, plugs & screws	67.00
07789	43mm Closed Flanged Bracket c/w gaskets, plugs & screws	79.00
11143	43mm 90 deg Angle Handrail Support	109.00



11143



08013



09452



11286

Rubber Rawl Anchors

Code	Description	Price
PE10608	M8 Rubber Rawl Anchor c/w Stainless Steel Set Screw 50mm long x 18mm dia. - to fit 20mm hole	8.00
PE10610	M10 Rubber Rawl Anchor c/w Stainless Steel Set Screw 55mm long x 20mm dia. - to fit 22mm hole	9.00



PE10610



PE10608

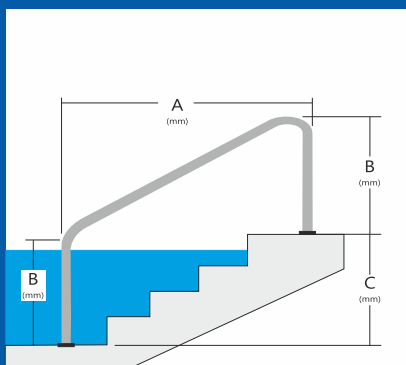
Rubber Rawl Anchors simply expand in dry hole as bolt is tightened - no chemicals involved.

ASTRAL Grab Rails - 43mm dia. - 316 Stainless Steel

Code	Description	Price
00034	43mm - 2 Grab Rails - for Embedding - 1220mm	448.00
00035	43mm - 2 Grab Rails - for Embedding - 1524mm	471.00
00036	43mm - 2 Grab Rails - with Flanges - 1220mm Flanges c/w gaskets, fixing plugs & screws	616.00
00037	43mm - 2 Grab Rails - with Flanges - 1524mm Flanges c/w gaskets, fixing plugs & screws	637.00

Dimensions for Grab Rails (mm)

Code	A	B	C
00034 / 00036	1220	800	608
00035 / 00037	1524	800	855



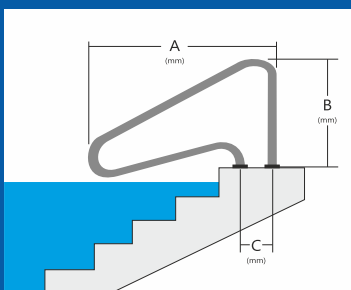
Grab Rails are sold as a PAIR

ASTRAL Extra Reach Grab Rails (Snoopy Type) - 43mm dia. - 316 Stainless Steel

Code	Description	Price
07780	43mm - Extra Reach Grab Rail - each For embedding	273.00
07781	43mm - Extra Reach Grab Rail - each With Flanges c/w gaskets, fixing plugs & screws	330.00

Dimensions for Extra Reach Grab Rails (mm)

Code	A	B	C
07780	1250	800	203
07781	1250	800	203



Grab Rails are sold INDIVIDUALLY

ASTRAL Grab Rails - 43mm dia. - 316 Stainless Steel

Code	Description	Price
05540	43mm - Exit Grab Rail - each (for Embedding)	215.00
05541	43mm - Exit Grab Rail - each with Flanges c/w gaskets, fixing plugs & screws	231.50
05542	43mm - Exit Grab Rail - each With Flanges c/w gaskets, fixing plugs & screws	245.00

Dimensions for Exit Grab Rails (mm)

Code	A	B	C
05540	800	800	270
05541	800	800	270
05542	470	800	225



Grab Rails are sold INDIVIDUALLY

ASTRAL Grab Rails - Rectangular Base Plate - 43mm dia. - 316 Stainless Steel

Code	Description	Price
05543	470 x 800 - 2 Exit Grab Rails with fixing plates c/w gaskets, screws and rawl plugs	490.00
05544	Cross-Over - 2 Exit Grab Rails with fixing plates c/w gaskets, screws and rawl plugs	548.00

Dimensions for Grab Rails (mm)

Code	A	B	C
05543	470	800	150
05544	375	750/900	130



These Grab Rails are sold as a PAIR