

### Dry Pressure Gauges 1/4" BSP Thread



Code	Description	Price
G3000	Pressure Gauge - Side Entry	9.50
G3000B	3D/Purex Pressure Gauge - Back Entry	14.50

### Glycerine Filled Gauges 1/4" BSP Thread



Code	Description	Price
G3010	Deluxe PG - Glycerine filled - Side Entry	24.00
G3010B	Deluxe PG - Glycerine filled - Back Entry	24.00

### 100mm dia. Face Pressure Gauges



Code	Description	Price
PG100412D	PG - 100mm face (0-4bar) 1/2" BSP - Dry	30.00
PG100438D	PG - 100mm face (0-4bar) 3/8" BSP - Dry	30.00
PG100412G	PG - 100mm face (0-4bar) 1/2" BSP Glycerine filled - Side Entry	35.00

### Astral Pressure Gauges Panels



00729



Code	Description	Price
00729	Pressure Gauge Panel - 3 bar	168.00
00730	Pressure Gauge Panel - 6 bar	168.00
00731	Pressure Gauge Panel Support Bracket	15.00
4404170101	Pressure Gauge Only - 6 bar	59.00
4404170102	Pressure Gauge Only - 3 bar	59.00
4404170103	Air Bleed Assembly	11.00
4404170104	Pressure Gauge Fittings + Tube	9.00
4404170105	Gauge Panel Body Only	64.00

### Pipe Thermometer



WT06

Range: 0 - 120°C  
Diameter: 63mm  
Spring Mount

Code	Description	Price
WT06	Dial Pipe Thermometer	16.00

### Clip-on Flow Meters



Code	Description	Price
04229	2" pipe 151 - 530 lt/min	120.00

Clip-on Flowmeters  
with air purge.  
Dual scale in:  
Litres/min & gallons/min

### Astral Sight Glass & Air Relief Valves

Code	Description	Price
00647	Backwash Sight Glass - 1.5" MT connection	12.00
09381	Double Effect Air Relief Valve 1" - max 16 bar 1" Male Thread Base - 1/4" PP/FT Air Bleed Connection	60.00
09382	Double Effect Air Relief Valve 2" - max 16 bar 2" Male Thread Base - 1.25" FT Air Bleed Connection	144.00

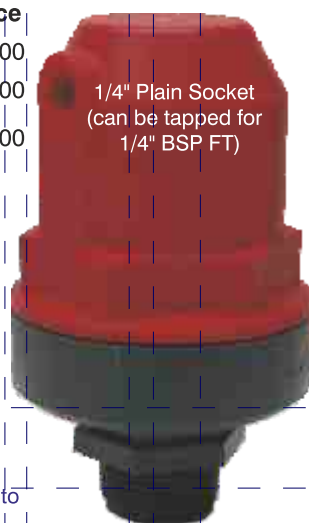


00647

Available only whilst stocks last

00647  
White ABS & Clear PVC  
Backwash Sight Glass  
1.5" Male Thread

09381 has a 1/4" Plain Socket, this can be tapped to 1/4" BSP Female to allow a hose adaptor to be threaded in.



1/4" Plain Socket (can be tapped for 1/4" BSP FT)

09381

1" BSP Male Thread

1.25" BSP Female Thread

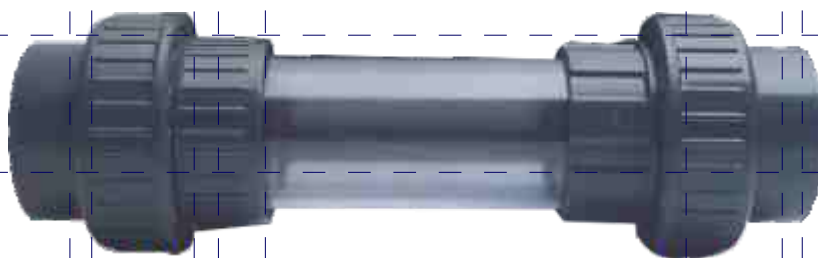


09382

2" BSP Male Thread

### Socket Union Sight Glass Assembly - clear PVC pipe is 12" /300mm before glued into sockets

Code	Size	Description	Price
GP012BSG	1/2"	SU Sight Glass	22.00
GP034BSG	3/4"	SU Sight Glass	25.00
GP100BSG	1"	SU Sight Glass	30.00
GP112BSG	1.5"	SU Sight Glass	35.00
GP200BSG	2"	SU Sight Glass	40.00
GP212BSG	2.5"	SU Sight Glass	75.00



Sold as a kit for gluing together on site

### Backwash Sight Glass Assembly - Plain Sockets

Code	Size	Description	Price
<b>Imperial Sizes:</b>			
SPXSG112	1.5"	Sight Glass	33.00
SPXSG200	2"	Sight Glass	41.90
SPXSG212	2.5"	Sight Glass	94.00
SPXSG300	3"	Sight Glass	121.70
SPXSG400	4"	Sight Glass	147.90
SPXSG500	5"	Sight Glass	206.80
SPXSG600	6"	Sight Glass	POA
SPXSG800	8"	Sight Glass	POA
<b>Metric Sizes:</b>			
SPXSG50	50mm	Sight Glass	29.50
SPXSG63	63mm	Sight Glass	36.10
SPXSG75	75mm	Sight Glass	94.00
SPXSG90	90mm	Sight Glass	113.90
SPXSG110	110mm	Sight Glass	141.30
SPXSG125	125mm	Sight Glass	166.20
SPXSG140	140mm	Sight Glass	206.80
SPXSG160	160mm	Sight Glass	299.90
SPXSG200	200mm	Sight Glass	345.50
SPXSG225	225mm	Sight Glass	426.80

SPXSG112/  
SPXSG200

SPXSG212-  
SPXSG800



### Filter Media

**\* All filter media - Carriage at cost - please ask for quote**



Code	Description	Price
<b>Sand:</b>		
C67	16/30 grade Silica Filter Sand - 25kg sack	12.50*
<b>Pea Gravel:</b>		
C67P	Pea Gravel - 6mm - 25kg sack	12.50*
Large Quantities: We can quote for any quantity of Filter Sand and/or Pea Gravel		
<b>DE Filter Media:</b>		
C66	Diatomaceous Earth - 20kg sack	78.75*
<b>ECO Clear Glass Filter Media:</b>		
C62/G1	Grade 1 (0.5-1mm) Glass - 25kg sack (16/30 grade)	18.55* <small>Equivalent to</small>
C62/G2	Grade 2 (1 - 3mm) Glass - 25kg sack (8/16 grade)	18.55*
C62/G3	Grade 3 (3 - 7mm) Glass - 25kg sack (Pea Gravel)	18.55*
Large Quantities: We can quote for any quantity of Glass Filter Media		
<b>Activated Glass Filter Media: #</b>		
AFM1	Grade 1 (0.5-1mm) Activated Glass - 21kg sack	POA
AFM2	Grade 2 (1 - 3mm) Activated Glass - 21kg sack	POA
Large Quantities: We can quote for any quantity of Activated Glass Filter Media		
# Activated Glass Filter Media is made from green glass developed to exceed by approx. 30%, the performance of quartz and glass sand.		
# It is bio-resistant and self-sterilising, which means no biofilm is formed in the filter bed.		
# It is manufactured under ISO 9001-2008 standards & is a filter material certified under European standards for drinking water.		

### Filtration Aids - Flocculents

Please Note: "hazchem" delivery charges may apply - please ask



# HAZCHEM Carrier Charge:  
All products classified as "hazardous" for transportation (identified with a UN number), have restrictions applied to each, in conformance with current legislation.  
Our carrier levies a "Hazchem Charge" per 100kg consignment, and is applicable for all deliveries of Hazardous Chemicals marked. Please ask at time of ordering.

Code	Description	Pack Size	Price
C551	Pool Clarifier	1 Litre	8.00
C55	Pool Clarifier	5 Litre	20.00
C56	Pool Clarifier #	25 Litre	48.00

**Pool Clarifier** is an effective synthetic flocculent and assists your pool filter recover water clarity during and after heavy bathing loads or algal colonisation.  
Manual application at approx. 500ml-1000ml per 45m<sup>3</sup> (10,000 gallons).  
Ideal for continuous, systematic / automatic dosing into the circulation of commercial pools.  
Guidance on Continuous PAC Dosing: 0.1 - 0.2 ml per 1m<sup>3</sup> (1,000 litres) flow rate per hour



Code	Description	Pack Size	Price
C52	Aluminium Sulphate (kibbled)	10kg bucket	24.00
C53	Aluminium Sulphate (kibbled)	25kg bucket	42.00
C54	Aluminium Sulphate (kibbled)	25kg sack	36.00

Aluminium Sulphate 17% Iron Free

**Aluminium Sulphate - Kibbled** (material in a rock-like form) is used as a filtration aid which enhances the efficiency of sand filters. Water clarity is an essential requirement for a pool's aesthetic appearance and is a treatment usually following the "backwash" of filters.  
Aluminium Sulphate is designed to be used at a rate of 1kg per 45m<sup>3</sup> (10,000 gallons).



Code	Description	Pack Size	Price
FICT1	Fi-Clor Clarifier Tablets	1.25kg	18.00
FICS1	Fi-Clor Rapid Clarifier	1 Litre	9.00
FICL3	Fi-Clor Liquid Flocc	3 Litre	14.00
MGF	Goldifloc Filter Aid Tablets	18 tablets	16.50
JG-S	Jolly Gel Blocks	4 x 67gms	11.50
One block treats up to 12,500 gallons (56,800 litres)			
JG-COM	Jolly Gel Commercial Block - each	11cmx12cmx7cm	31.00
One block treats up to 100,000 gallons (454,500 litres)			



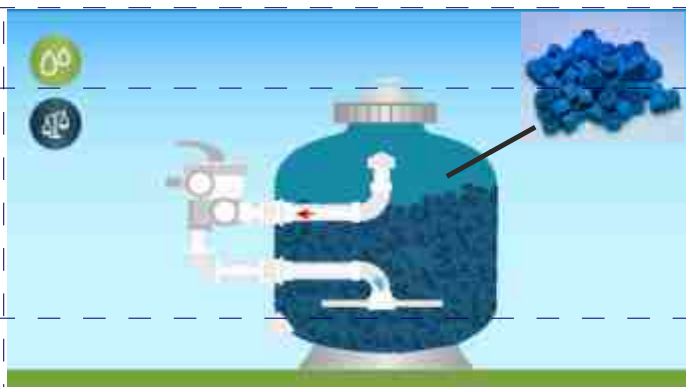
### OC-1 Filter Media



**British Made**

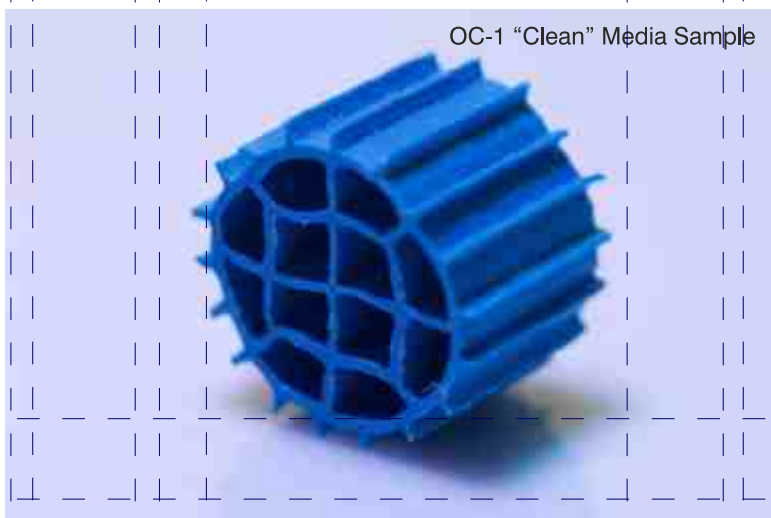
\* All filter media - Carriage at cost - please ask for quote

- \* Traditional filter media .... Silica "Sharp" Sand has for decades been the logical and sound choice for many thousands of pools in the UK.
- \* Over the past 20+ years, a design of filter media, what can only be described as a "plastic noodle", has been used in a variety of different water filtration applications in the UK and worldwide, and now has been adapted for swimming pools.
- \* This little plastic object has revolutionised water filtration thinking, and proved itself as an attractive alternative to sand or glass media.
- \* It can replace existing sand and glass media when it is needed to be replaced next, and the process for replacing is exactly as for standard media materials.
- \* If you choose OC-1 owing to the light weight of the pieces, an inlet diffuser will be needed to prevent pieces escaping during back-washing.



#### ADVANTAGES:

- \* Works on any filter
- \* Reduces energy consumption
- \* Reduces head loss in system
- \* Filters as well as traditional medias
- \* Bigger debris accumulation capacity within filter
- \* Increases efficiency of back-wash
- \* Reduces back-washing cycle time
- \* Lightweight and easy to handle and fill filter
- \* Suitable for any pool, spa or hydrotherapy pool (up to 50degC)
- \* Payback on investment and offers ongoing savings
- \* Can operate with all disinfectants, Chlorine, Bromine, on-site Chlorine Generation, & in conjunction with UV and Ozone.
- \* Velocity - can operate up to 50cu.m/sq.m/hr.
- \* Ideal velocity @ 25cu.m/sq.m/hr.
- \* Lifespan: replacement of media every 5 years, although, as it does not deteriorate, it will tend to hold onto hair that will need to be removed.

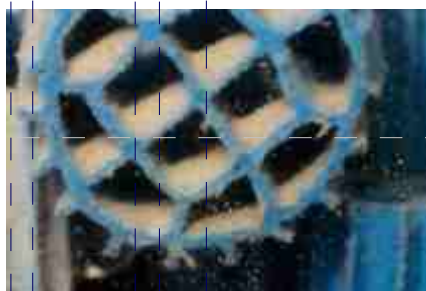


During the filtration cycle, dirt passing through settles in and onto crevices and parts of the OC-1 pieces where water flow slows.

Water continues to pass through the filter leaving more suspended particulates to settle in and on the media.



This dirt and debris accumulates on the inside AND outside, as shown (left), which is basically anywhere where the water flow slows and allows dirt to deposit.



Back-washing, as with sand agitates the whole of the media in the filter, and owing to the light weight of the plastic OC-1 pieces, easier dirt removal results, with a shorter backwash time, and in turn reduced water loss.

Code	Description	Price
OC-1/50	OC-1 50 Litre Bags (9kg weight)	63.00



#### Filter Diffusers:

To enable OC-1 to be used in your filter, a diffuser is needed to prevent the media from leaving the filter during the back-wash cycle.

Please identify your filter make, model number and pipe size, to enable us to quote for the correct size diffuser

