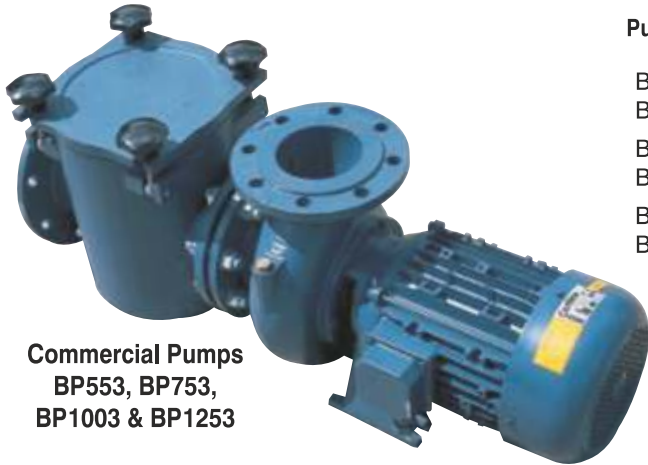


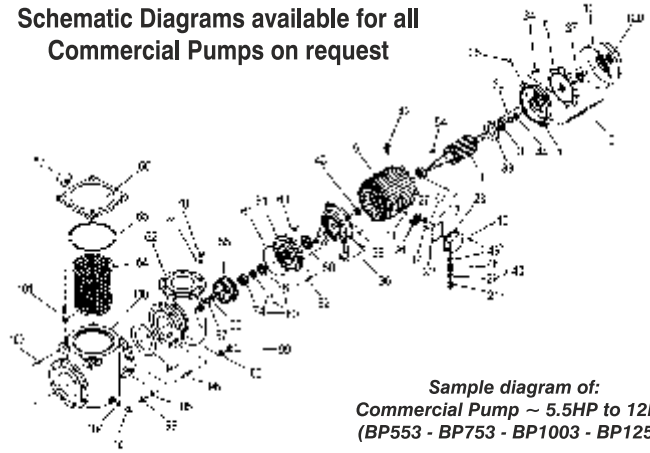
Certikin Commercial Pumps - BP Range - 3000rpm



Commercial Pumps
BP553, BP753,
BP1003 & BP1253

Pump Code	HP	KW	Rotation	Electrical Supply	Price
BP303	3.0	2.2	3,000rpm Pump	3 Phase	2,100.00
BP403	4.0	3.0	3,000rpm Pump	3 Phase	2,450.00
BP553	5.5	4.1	3,000rpm Pump	3 Phase	2,815.00
BP753	7.5	5.6	3,000rpm Pump	3 Phase	3,040.00
BP1003	10.0	7.5	3,000rpm Pump	3 Phase	3,625.00
BP1253	12.5	9.4	3,000rpm Pump	3 Phase	3,835.00

Schematic Diagrams available for all Commercial Pumps on request



Sample diagram of:
Commercial Pump ~ 5.5HP to 12HP
(BP553 - BP753 - BP1003 - BP1253)

2.5HP Pump (Parts diagram on request)

No.	Code	Description	Price
10	SPBP003	Motor Fan Cover	113.00
50	SPBP06/S	Slinger Washer	4.00
55	SPBP018	Brass Impeller	420.00
60	SPBP16/G	Diffuser Gasket	9.50
61	SPBP017/G	Pump Housing Gasket	13.50
64	SPBP005	Strainer Basket	32.00
65	SPBP005/G	Strainer Lid Gasket	12.60
66	SPBP005/L	Strainer Cover	255.00
67	SPBP005/N	Strainer Thumb Nut	13.30
69	SPBP13	Drain Plug & Gasket	9.50
80	BPSP01	Mechanical Seal Assembly	67.00

3HP Pump (BP303)

No.	Code	Description	Price
8	SPBP03/3	Motor Fan	75.00
10	SPBP003	Motor Fan Cover (Pre 2014)	113.00
10	SPBP003A	Motor Fan Cover (Post 2014)	143.10
50	SPBP08	Slinger Washer	3.80
55	SPBP010	Brass Impeller	775.00
56	SPBP010A	Impeller Washer	2.50
57	SPBP010B	Impeller Nut	17.50
61	SPBP11/G	Pump Housing Gasket	12.00
62	SPBP11	Cast Iron Pump Housing	POA
64	SPBP007	Stainless Steel Filter Basket	210.00
65	SPBP012	Strainer Lid Gasket	21.00
66	SPBP013	Strainer Cover (Cast Iron)	120.00
67	SPBP006	Strainer Thumb Nut	10.80
69	SPBP13	Drain Plug & Gasket	9.50
80	SPBP002	Mechanical Seal Assembly	67.00
97	SPBP15/G1	Filter Housing Gasket	16.00
101	SPBP014/A	Filter Screw - all models	14.40
102	SPBP014/B	Filter Screw Bolt	4.10

4HP Pump (BP403)

No.	Code	Description	Price
8	SPBP641	Motor Fan	48.00
10	SPBP410	Motor Fan Cover	73.00
50	SPBP08/L	Slinger Washer	12.00
55	SPBP622	Bronze Impeller	840.00
56	SPBP010A	Impeller Washer	2.50
57	SPBP010B	Impeller Nut	17.50
61	SPBP11/G	Pump Housing Gasket	12.00
62	SPBP12	Cast Iron Pump Housing	POA
64	SPBP007	Stainless Steel Filter Basket	210.00
65	SPBP012	Strainer Lid Gasket	21.00
66	SPBP013	Strainer Cover (Cast Iron)	120.00
67	SPBP006	Strainer Thumb Nut	11.00
69	SPBP13	Drain Plug & Gasket	9.50
80	SPBP002	Mechanical Seal Assembly	67.00
97	SPBP701	Filter Housing Gasket	14.50
101	SPBP014/A	Filter Screw - all models	14.40
102	SPBP014/B	Filter Screw Bolt	4.10

5.5HP Pumps

No.	Code	Description	Price
2/3	SPBP541	Motor Bearing 5.5HP	POA
8	SPBP412	Fan 5.5HP	52.50
10	SPBP610	Motor Fan Cover	48.00
50	SPBP08/L	Slinger Washer	12.00
55	SPBP009	Bronze Impeller	935.00
56	SPBP010A	Impeller Washer	2.50
57	SPBP010B	Impeller Nut	17.50
61	SPBP11/G	Pump Housing Gasket	12.00
62	SPBP12	Cast Iron Pump Housing	POA
64	SPBP007/B	Stainless Steel Filter Basket	290.00
65	SPBP012/B	Strainer Lid Gasket	17.00
66	SPBP013/B	Strainer Cover (Cast Iron)	370.00
67	SPBP006	Strainer Thumb Nut	11.00
69	SPBP13	Drain Plug & Gasket	9.50
80	SPBP002	Mechanical Seal Assembly	67.00
97	SPBP15/G	Filter Housing Gasket	14.50
100	SPBP15	Filter Housing	POA
101	SPBP014/A	Filter Screw - all models	14.40
102	SPBP014/B	Filter Screw Bolt	4.10

7.5HP, 10HP & 12.5HP Pumps

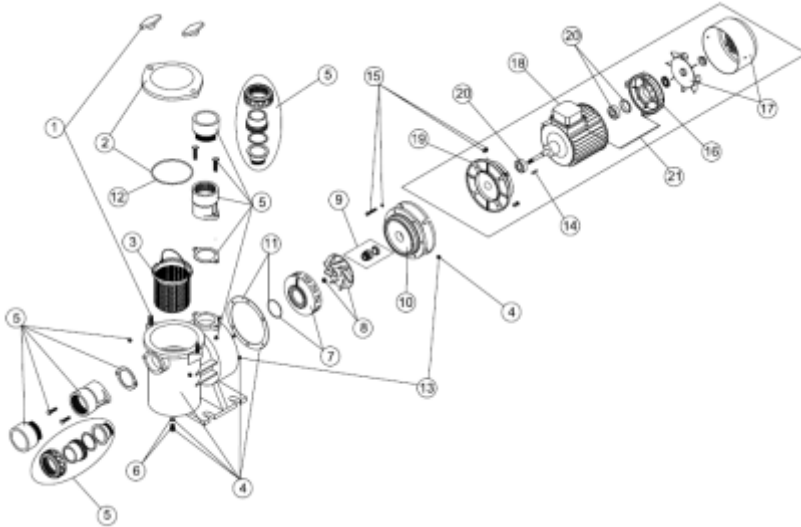
No.	Code	Description	Price
8	SPBP432	Fan	115.00
10	SPBP610	Motor Fan Cover	48.00
50	SPBP08/L	Slinger Washer	12.00
55	SPBP015	Bronze Impeller 7.5HP	935.00
55	SPBP008	Bronze Impeller 10HP	945.00
55	SPBP721	Bronze Impeller 12.5HP	955.00
56	SPBP010A	Impeller Washer	2.50
57	SPBP010B	Impeller Nut	17.50
61	SPBP11/G	Pump Housing Gasket	12.00
62	SPBP12	Cast Iron Pump Housing	POA
64	SPBP007/B	Stainless Steel Filter Basket	290.00
65	SPBP012/B	Strainer Lid Gasket	17.00
66	SPBP013/B	Strainer Cover (Cast Iron)	370.00
67	SPBP006	Strainer Thumb Nut	11.00
69	SPBP13	Drain Plug & Gasket	9.50
80	SPBP002	Mechanical Seal Assembly	67.00
97	SPBP15/G	Filter Housing Gasket	14.50
100	SPBP15	Filter Housing	POA
101	SPBP014/A	Filter Screw - all models	14.40
102	SPBP014/B	Filter Screw Bolt	4.10

Astral SP-3000 Cast Iron Pumps - discontinued

Pump Code	HP	kW
01187	2.0	1.5
01188	3.0	2.2
01190	4.0	3.0
01192	5.5	4.0



Astral SP-3000 Cast Iron Pump Spares - Please specify parts required for a quote



No.	Code	Description
1	4405010501	Prefilter Closure Set - 2HP
1	4405010502	Prefilter Closure Set - 3 - 5.5HP
2	4405010503	Prefilter Cover - 2HP
2	4405010504	Prefilter Cover - 3 - 5.5HP
3	4405010505	Prefilter Basket- 2HP
3	4405010506	Prefilter Basket- 3 - 5.5HP
5	4405010509	Suction/Return Union - 2HP
5	4405010510	Suction/Return Union - 3HP
5	4405010511	Suction/Return Union - 4 - 5.5HP
7	4405010513	Diffusor - 2HP
7	4405010514	Diffusor - 3HP
7	4405010515	Diffusor - 4 - 5.5HP
8	4405010516	Impeller - 2HP
8	4405010517	Impeller - 3HP
8	4405010518	Impeller - 4HP
8	4405010519	Impeller - 5.5HP
9	4405010520	Pump Seal - 2 - 5.5HP
11	4405010524	Pump Gaskets - 2HP
	4405010525	Pump Gaskets - 3 - 5.5HP
12	4405010526	Strainer Housing Gasket - 2HP
12	4405010527	Strainer Housing Gasket - 3 - 5.5HP

Astral C-3000 Cast Iron Pumps

3,000rpm - St. Steel shaft, mechanical seal & strainer basket

Pump Code	HP	kW	Electrical Supply	Price
01193	3.0	2.2	Pump - 3 Phase - 3" pipe	3,204.00
01195	4.0	2.95	Pump - 3 Phase - 3" pipe	3,574.00
01197	5.5	4.0	Pump - 3 Phase - 3" pipe	4,219.00
01199	5.5	4.0	Pump - 3 Phase - 4" pipe	4,600.00
01201	7.5	5.5	Pump - 3 Phase - 4" pipe	5,024.00
01203	10.0	7.5	Pump - 3 Phase - 4" pipe	5,291.00
01205	12.5	8.7	Pump - 3 Phase - 5" pipe	5,614.00
01207	15.0	11.04	Pump - 3 Phase - 5" pipe	6,195.00



Let us quote you for supply and delivery of any of the above pumps

Astral Aral C-1500 Cast Iron Pumps

1,450rpm - St. Steel shaft, mechanical seal & strainer basket

Pump Code	HP	kW	Electrical Supply	Price
01210	4.0	3.0	Pump - 3 Phase - 3"/ 2.5" pipe	4,116.00
01212	5.5	4.0	Pump - 3 Phase - 3"/ 2.5" pipe	5,487.00
01216	7.5	5.5	Pump - 3 Phase - 4"/ 3" pipe	6,132.00
01218	10.0	7.5	Pump - 3 Phase - 4"/ 3" pipe	6,342.00
01220	12.5	9.2	Pump - 3 Phase - 5"/ 4" pipe	7,938.00



Let us quote you for supply and delivery of any of the above pumps

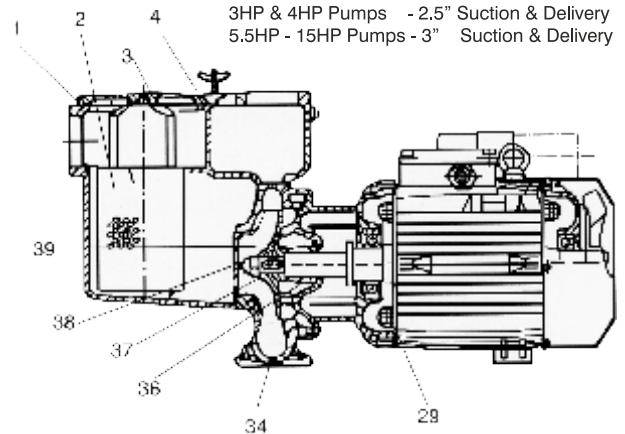
Calpeda Pumps - NMP Range



Code	Manufacturers Code	HP	kW	Supply	Price
MC303	NMP50/12F/A	3.0	2.2	3 Phase	2,250.00
MC403	NMP50/12D/A	4.0	3.0	3 Phase	2,465.00
MC553	NMP65/16F/A	5.5	4.0	3 Phase	3,300.00
MC753	NMP65/16E/A	7.5	5.5	3 Phase	3,835.00
MC1003	NMP65/16D/A	10	7.5	3 Phase	4,100.00
MC1253	NMP65/16C/A	12.5	9.2	3 Phase	POA
MC1503	NMP65/16A/A	15	11	3 Phase	POA

3HP & 4HP Pumps

No.	Code	Description	Price
1	SMP1406	Strainer Lid "O" Ring	23.20
2	SMP1409	Strainer Basket	185.00
3	SMP1404	Strainer Lid only	338.00
4	SMP1408	Lid Handwheel - each	77.00
34	SMP1402	Casing Gasket	19.00
36	SMP1421	Pump Seal	46.00
37	SMP1418	3 & 4HP Impeller Key	8.50
38	SMP1415	3 & 4HP Impeller Nut	13.00
39	SMP1411	3 & 4HP Impeller	650.00



5.5HP & 7.5HP Pumps

No.	Code	Description	Price
1	SMP1407	Strainer Lid "O" Ring	39.00
2	SMP1410	Strainer Basket	280.00
3	SMP1405	Strainer Lid only	468.00
4	SMP1408	Lid Handwheel - each	77.00
34	SMP1403	Casing Gasket	27.00
36	SMP1422	5.5HP Pump Seal	60.00
37	SMP1419	5.5HP Impeller Key	12.50
38	SMP1416	5.5HP Impeller Nut	16.50
39	SMP1412	5.5HP Impeller	755.00
36	SMP1423	7.5HP Pump Seal	94.00
37	SMP1420	7.5HP Impeller Key	17.60
38	SMP1417	7.5HP Impeller Nut	28.50
39	SMP1413	7.5HP Impeller	765.00

10HP & 12.5HP Pumps

No.	Code	Description	Price
1	SMP1407	Strainer Lid "O" Ring	39.00
2	SMP1410	Strainer Basket 10HP	280.00
3	SMP1405	Strainer Lid only 10HP	468.00
4	SMP1408	Lid Handwheel - each	77.00
34	SMP1403	Casing Gasket 10HP	27.00
36	SMP1423	10HP & 12.5HP Pump Seal	94.00
37	SMP1420	10HP & 12.5HP Impeller Key	17.60
38	SMP1417	10HP & 12.5HP Impeller Nut	28.50
39	SMP1414	10HP Impeller	790.00

Modern Pumps - Surecast SP Range - Pumps are discontinued - Limited Spares Available



Strainer Baskets

Hot dipped PVC coated steel



Large Basket
not available

Code	Description	Price
SPM02	Strainer Basket 197 x 140 x 76mm	180.00
SPM03	Strainer Basket 230 x 178 x 90mm	Sorry not Available
SPM05	Lid Gasket 0.5 - 4HP - 225 x 110 x 7mm	41.00
SPM07	Lid Gasket 5.5-10HP - 273 x 142 x 7mm	Sorry not Available
SPM06	Cast Iron Lid (3 - 10HP)	158.00
SPM010	Mechanical Seal - 1" (0.5HP & 1HP Pumps)	51.50
SPM011	Mechanical Seal - (1.5HP & 3HP Pumps)	Sorry not Available
SPM012	Mechanical Seal - 1.5" (4HP & 5.5HP Pumps)	105.00
SPM013	Mechanical Seal - 1 7/8" (7.5HP & 10HP Pumps)	164.00

Discontinued