

# CHEMICAL DOSING POOL & SPA CONTROLLER

## Kuntze Neon Pool & Spa Controller

Another quality product manufactured  
in Germany by Kuntze Instruments

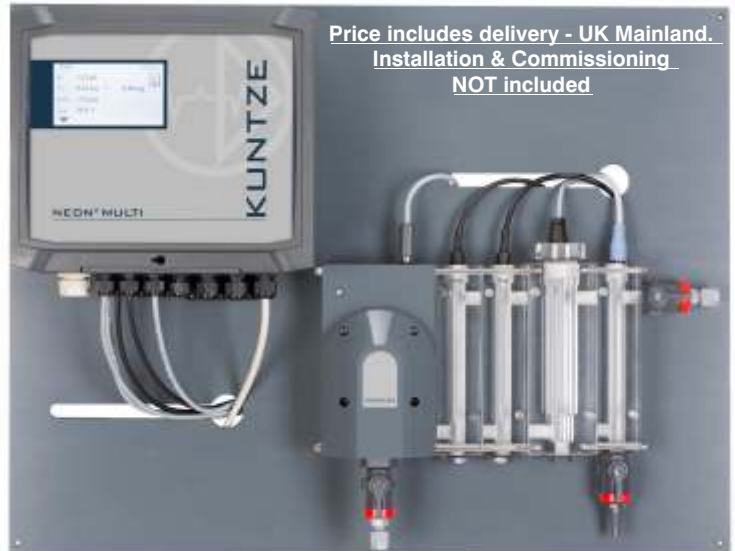
The **Kuntze Neon Pool and Spa Controller** provides the user with clear, concise control of pool and spa water. It provides accurate & reliable measurement of disinfectants including **Chlorine, Bromine & Ozone**.

- \* **Potentiostatic Measurement** using double gold electrode open sensors.  
Gold electrodes are accurate & very quick to respond to changes in concentration.  
Open electrode sensors are not restricted to open flow circuits as they are designed to cope with pressure up to 10 bar at 20degC.
- \* **Flow Control** regulating the water past the sensor using a "STABIFLOW" unit.  
This regulates flow of approx. 30 litres/hour with a maximum pressure 6 Bar at 20degC. Minimum supply should be 35 litres/hour which allows the electrode to consistently measure the correct concentration.  
It is therefore not affected by changes in flow due to pump inverters.
- \* **Automatic Sensor Cleaning - ASR**  
Automated & scheduled cleaning - there is no need for operator intervention as the cleaning time is specified in the software.  
100% of the electrode surface is cleaned - this maintains good contact with the sample water being measured and the sensor not going "blind".

The **Neon Pool and Spa Controller** can be installed quickly and does not require a second visit to calibrate the sensors reducing the cost of installation. Options available to install communications, data logging, back flush & heater controls.

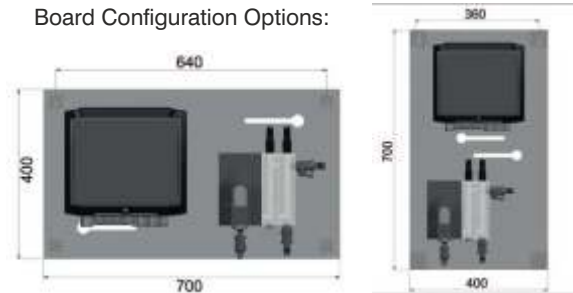
### Controller Sensors:

- Analogue Input 1: Double Gold Free Chlorine Sensor  
Range ... 0-1,000 ug/l, 0-5mg/l, 0-10mg/l, 0-20mg/l
- Analogue Input 2: pH AH Glass Sensor  
Range ... 0.0 - 14.0
- Analogue Input 3: Temperature with PT100 or PT1000 Sensor  
Range ... -30 to + 140 degC



Price includes delivery - UK Mainland.  
Installation & Commissioning  
**NOT included**

### Board Configuration Options:



## Neon Pool Controller & Spares

Code	Description	Price
<b>NEONPOOL</b>	<b>Neon Pool/Spa Chlorine/pH Controller</b> ASR <sup>®</sup> Krypton Stabiflow - Board mounted	<b>3,750.00</b>
<b>Neon Pool - Options:</b>		
195 150 02K	Multi Instrument Modbus RTU Com Card	152.00
695 000 GB	Cloud Connect Remote Access System	499.00
695 100 K	Cloud Connect SIM Card	13.00
195 150 07K	Multi 5 x mA Outputs	286.00
571 500 00K	Multi.Pool Redox/ORP Measurement Kit	398.00

ASR<sup>®</sup> (Automatic Sensor Cleaning) is Kuntze's patented system & is incorporated within the software of the controller.

ASR<sup>®</sup> is the most effective way to clean the electrode surfaces of the disinfection sensor & maintain its integrity.

The process is fully automated, and can operate during the night. Details on request.



ASR<sup>®</sup> in action

<b>Sensors:</b>		
241 327 00GB	pH Sensor	140.00
241 351 45K	Double Gold Disinfection Sensor	275.00
241 352 60K	Double Platinum Disinfection Sensor	300.00
241 352 85K	Redox Sensor	175.00

<b>Cables:</b>		
441 364 06K	5 Core Sensor Cable	80.00
411 171 01D	pH / ORP Sensor Coax Cable 1.2m	46.00

<b>Wet Spares:</b>		
395 030 00K	StabiFlow Body Assembly	POA
241 370 01K	Zirkon FTG (Flow Temp & Ground Cable)	195.00
395 000 05K	StabiFlow Connection Package	125.00
395 000 09K	Flow Cell 12mm dia Sensor Chamber Kit c/w accessories	POA
963 001 00K	Flow Cell 12mm dia Sensor Chamber only	POA
395 000 10K	Flow Cell 25mm dia Sensor Chamber Kit c/w accessories	POA



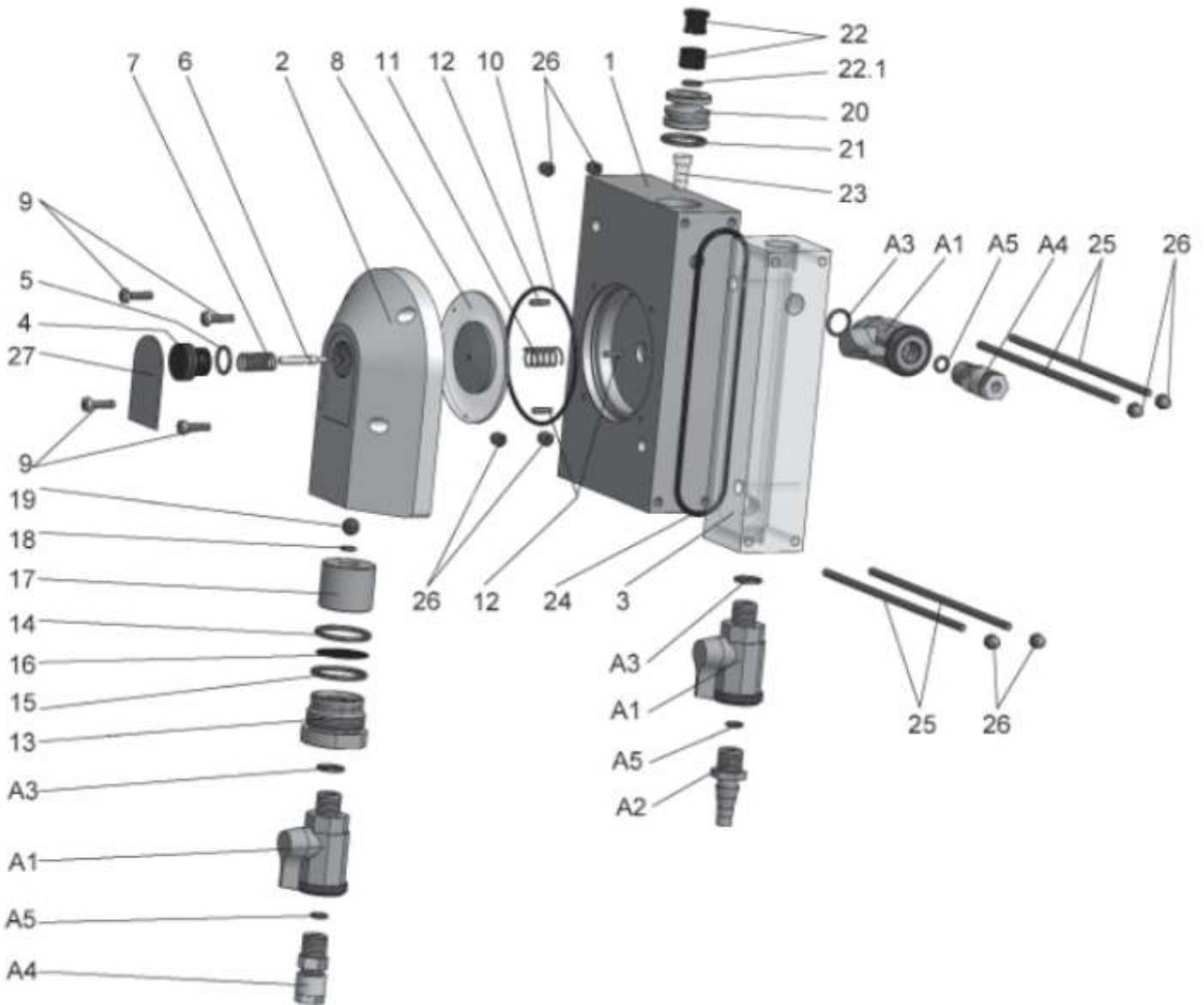
241 351 45K  
Double Gold Disinfection Sensor

Double Gold Sensors  
do not require  
electrolyte replenishment or  
replacement of membranes  
to maintain calibration

241 370 01K  
Zirkon FTG

# CHEMICAL DOSING POOL & SPA CONTROLLER

## Stabiflow Spares Breakdown



## Stabiflow Spares Kits & Bowl Filter

Code	Description	Price
<b>Stabiflow Service Packs:</b>		
395 000 06K	Stabiflow Service Pack #1 - Kit Includes: 6, 7, 8, 10, 11 & 12	165.00
395 000 07K	Stabiflow Service Pack #2 - Kit Includes: 14, 15 & 16	115.00
395 000 08K	Stabiflow Service Pack #3 - Kit Includes: 5, 10, 14, 15, 18, 21, 24, A3 & A5	80.00
395 000 11K	Stabiflow Service Pack #4 - Kit Includes: 13, 14, 17, 18 & 19	124.50
395 000 13K	Stabiflow Service Pack #5 - Kit Includes: 20, 21, 22, 22.1 & 23	170.00
K-L116	Hose Connection Kit - Kit Includes: A1, A3, A4 & A5	22.50
K-ST	Sample Tap - Kit Includes: A1, A2, A3 & A5	17.50
Q108	10mm OD x 8mm ID Hose - Roll of 30m	35.00
395 000 02K	Bowl Filter 1/4" Female c/w Hex Nipple	57.50
395 000 02GB	Bowl Filter 1/4" Female c/w Hex Nipple & Elbow	63.75
395 000 03K	Replacement 350um Filters (pk of 5)	30.00
DAK-10251GB	Hex Nipple c/w O'Rings (pk of 4)	15.75
DAK-30132GB	Replacement O'Rings for Bowl Filters (pk of 5)	7.00

