

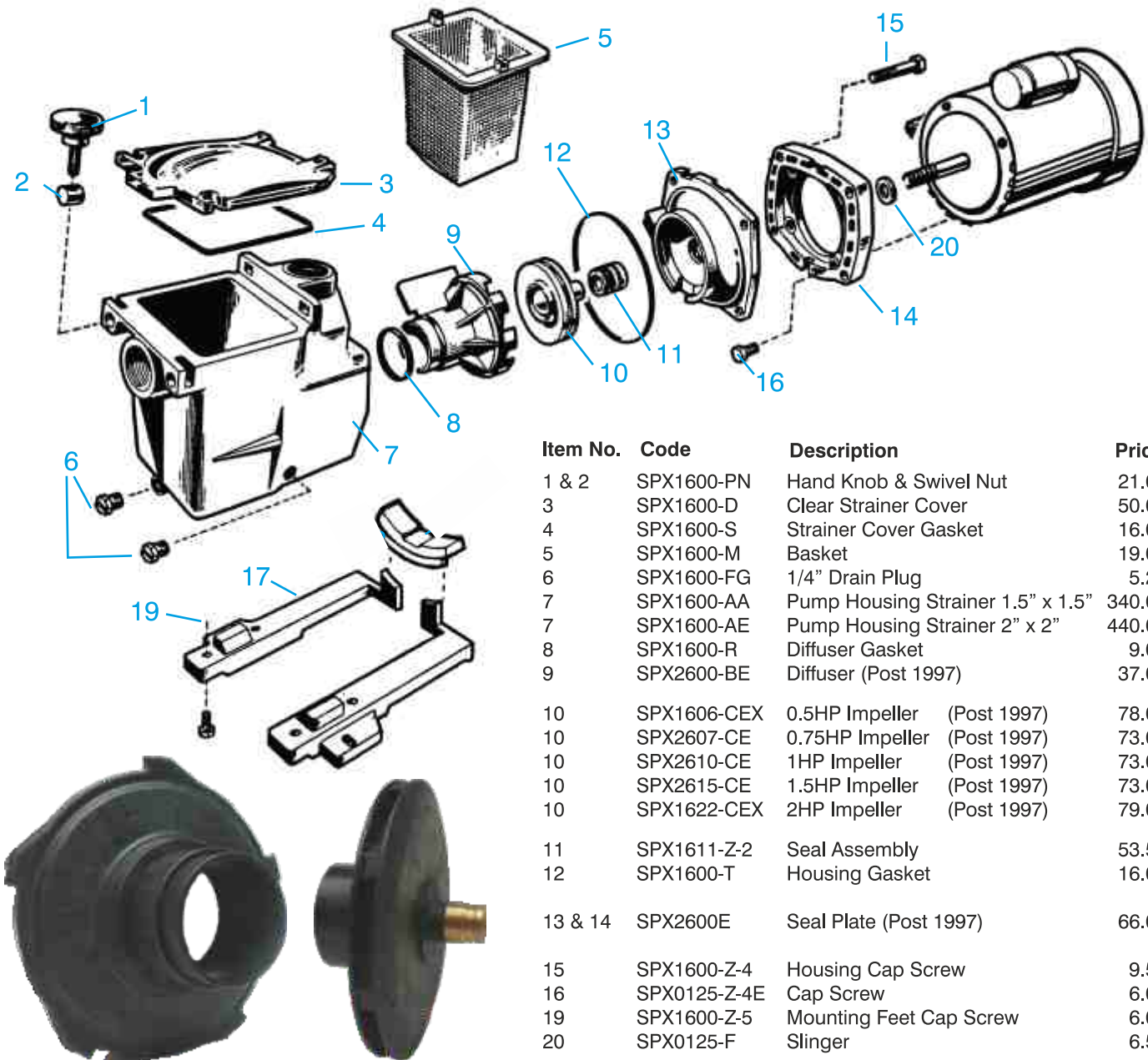
Hayward Super Pump

Suction/Delivery: up to 1.5HP - 1.5" 2HP - 2"



Pump Code	HP	kW	Electrical Supply	Price
SP1608XE111	0.75	0.56	Single Phase	585.00
SP1611XE161	1.00	0.75	Single Phase	620.00
SP1616XE22.1	1.50	1.10	Single Phase	685.00
SP1622XE251	2.00	1.50	Single Phase	790.00
SP1611XE163	1.00	0.75	Three Phase	680.00
SP1616XE223	1.50	1.10	Three Phase	700.00
SP1622XE253	2.00	1.50	Three Phase	800.00

Hayward Super Pump Spares



Item No.	Code	Description	Price
1 & 2	SPX1600-PN	Hand Knob & Swivel Nut	21.00
3	SPX1600-D	Clear Strainer Cover	50.00
4	SPX1600-S	Strainer Cover Gasket	16.00
5	SPX1600-M	Basket	19.00
6	SPX1600-FG	1/4" Drain Plug	5.25
7	SPX1600-AA	Pump Housing Strainer 1.5" x 1.5"	340.00
7	SPX1600-AE	Pump Housing Strainer 2" x 2"	440.00
8	SPX1600-R	Diffuser Gasket	9.00
9	SPX2600-BE	Diffuser (Post 1997)	37.00
10	SPX1606-CEX	0.5HP Impeller (Post 1997)	78.00
10	SPX2607-CE	0.75HP Impeller (Post 1997)	73.00
10	SPX2610-CE	1HP Impeller (Post 1997)	73.00
10	SPX2615-CE	1.5HP Impeller (Post 1997)	73.00
10	SPX1622-CEX	2HP Impeller (Post 1997)	79.00
11	SPX1611-Z-2	Seal Assembly	53.50
12	SPX1600-T	Housing Gasket	16.00
13 & 14	SPX2600E	Seal Plate (Post 1997)	66.00
15	SPX1600-Z-4	Housing Cap Screw	9.50
16	SPX0125-Z-4E	Cap Screw	6.00
19	SPX1600-Z-5	Mounting Feet Cap Screw	6.00
20	SPX0125-F	Slinger	6.50

SPX2600-BE

SPX2622-CEX

PUMPS & FILTERS

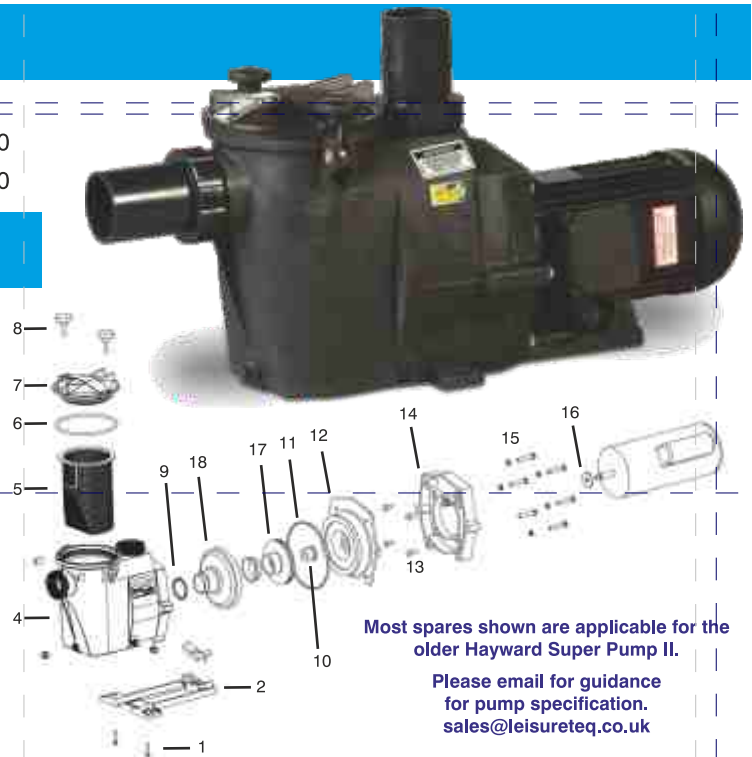
HAYWARD RSII - MAX-FLO & TRISTAR PUMPS

Hayward RSII Pump

Pump Code	HP	KW	Electrical Supply	Price
RS30203	2.00	1.5	Three Phase	495.00
RS30303	3.00	2.25	Three Phase	595.00

Hayward RSII Pump - Spares

No.	Order Code	Description	Price
1	SPX1600Z5	Mounting Feet Cap Screw	6.00
2	SPX3000GA	Mounting Bracket	36.00
3	SPX1700FG	Drain Plug	5.50
4	RSX750AAE	RSII Pump Housing	350.00
5	SPX3000M	Strainer Basket	23.00
6	SPX3000S	Lid 'O' Ring	33.00
7	SPX3000D	Lid	60.00
8	SPXT600PN	Hand Knob & Swivel Nut	21.00
9	SPX1600R	Diffuser Gasket	9.00
10	SPX1611Z2	Seal Assembly	53.50
11	SPX3000T	Body Gasket	17.50
12	SPX3020E	Seal Plate	62.50
13	SPX0125Z4E	Cap Screw	6.00
14	SPX3000FE	Motor Mounting Plate	45.00
15	SPX1600Z4	Housing Cap Screw	9.00
16	SPX0125FS1	Slinger	6.50
17	SPX3021CE	2HP Impeller c/w wear ring	85.00
17	SPX3031CE	3HP Impeller c/w wear ring	87.00
18	SPX3021B	Diffuser	64.00



Most spares shown are applicable for the older Hayward Super Pump II.

Please email for guidance for pump specification.
sales@leisureteq.co.uk

Hayward Max-Flo XL Pump

Pump Code	HP	KW	Electrical Supply	Price
SP2307XE111	0.75	0.55	Single Phase	560.00
SP2310XE161	1.00	0.75	Single Phase	570.00
SP23015XE221	1.50	1.00	Single Phase	620.00
SP2307XE113	0.75	0.55	Three Phase	580.00
SP2310XE163	1.00	0.75	Three Phase	590.00
SP23015XE223	1.50	1.00	Three Phase	640.00



Hayward Tristar Pump

Pump Code	HP	KW	Electrical Supply	Price
SP32203	2.00	0.55	Three Phase	1,025.00
SP32303	3.00	1.00	Three Phase	1,100.00

Hayward Tristar Pump - Spares

No.	Order Code	Description	Price
1	SPX3200DLS	Strainer Cover	80.00
2	SPX3200-S	Strainer Cover "O" Ring	11.00
3	SPX3200M	Strainer Basket	28.00
4	SPX3200A	Pump Housing / Strainer	160.00
5	SPX4000FG	Drain Plug	6.00
6	SPX3200Z211	Housing Insert & Seal Plate Spacer Kit	20.00
7	SPX4000Z1	Diffuser Gasket	45.00
8	SPX3200Z8	Diffuser Screws (x2)	4.00
9	SPX3200B3	Diffuser	25.00
10	SPX3200Z1	Impeller Screw	7.50
11	SPX3021R	Ring for Impeller	10.00
12	SPX3220C	Impeller 2HP	66.00
12	SPX3230C	Impeller 3HP	66.00
13	SPX3200SA	Shaft Seal Assembly	35.00
14	SPX3200T	Housing Gasket	16.00
15	SPX3200E	Seal Plate	70.00
16	SPX3200Z3	Housing Bolt	11.00
17	SPX3200Z5	Motor Bolt	5.00
22	SPX3200UG	Union Gasket	10.00
2,7,13,14	SPX33200GS	Set of Gaskets	60.00



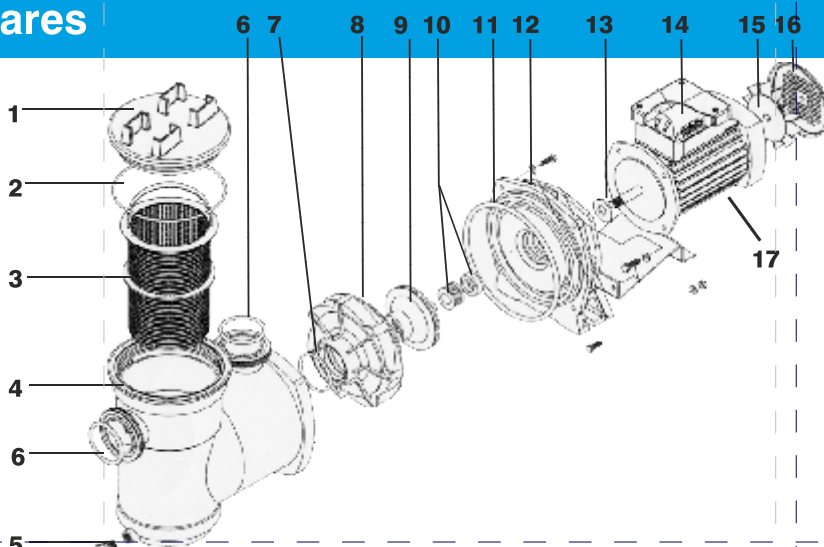
Plastica Argonaut Pump - 2" Delivery & suction

Pump Code	HP	kW	Electrical Supply	Price
AV 50-2DN-S	0.33	0.25	Single Phase	480.00
AV 75-2DN-S	0.50	0.37	Single Phase	485.00
AV100-2DN-S	0.75	0.56	Single Phase	490.00
AV150-2DN-S	1.00	0.75	Single Phase	546.00
AV200-2DN-S	1.50	1.10	Single Phase	593.00
AV250-2DN-S	2.00	1.50	Single Phase	683.00
AV 50-3DN-S	0.33	0.25	Three Phase	523.00
AV 75-3DN-S	0.50	0.37	Three Phase	533.00
AV100-3DN-S	0.75	0.55	Three Phase	541.00
AV150-3DN-S	1.00	0.74	Three Phase	662.00
AV200-3DN-S	1.50	1.10	Three Phase	713.00
AV250-3DN-S	2.00	1.50	Three Phase	779.00



Argonaut AV Series Pump Spares

No.	Code	Description	Price
1	SPTT83	Strainer Lid	30.00
2	SPTT95	Strainer Lid "O" Ring	7.50
3	SPTT94	Strainer Basket	20.00
4	SPTT50	Casing Tank Strainer BSP	150.00
5	SPTT88	Drain Plug & O Ring	6.00
7	SPTT68	Diffuser "O" Ring (0.5 to 2HP)	5.00
8	SPTT24	Diffuser AV50 (1/3HP)	40.00
8	SPTT25	Diffuser AV75 (1/2HP)	40.00
8	SPTT26	Diffuser AV100 (3/4HP)	40.00
8	SPTT27	Diffuser AV150/200 (1HP - 1.5HP)	40.00
8	SPTT28	Diffuser AV250 (2HP)	40.00
9	SPTT30	Impeller AV50 (1/3HP)	40.00
9	SPTT31	Impeller AV75 (1/2HP)	40.00
9	SPTT32	Impeller AV100 (3/4HP)	40.00
9	SPTT33	Impeller AV150 (1HP)	40.00
9	SPTT34	Impeller AV200 (1.5HP)	40.00
9	SPTT35	Impeller AV250 (2HP)	40.00
10	SPTT07	Shaft Seal Assembly	46.00
11	SPTT37	Body O Ring	10.00
12	SPTT39	Seal Plate	50.00
	SPTT46	Union Nut & Stub - 2" Pipe	15.00
6	SPTT21	Port O Ring	6.00
	SPTT02	Lid Tool	10.00
14	SPTT03	Capacitor 12uF AV50, AV75 & AV100	27.50
14	SPTT04	Capacitor 20uF AV150	30.00
14	SPTT05	Capacitor 25uF AV200 & AV250	32.50



No.	Code	Description	Price
15	SPTT80	Fan AV50, AV75, AV100 (1 & 3 phase)	20.00
15	SPTT81	Fan AV150, AV200, AV250 (1 phase)	20.00
15	SPTT82	Fan AV150, AV200, AV250 (3 phase)	20.00
16	SPTT90	Fan Cover AV50, AV75, AV100 (1 & 3 ph)	20.00
16	SPTT91	Fan Cover AV150, AV200, AV250 (1ph)	20.00
16	SPTT92	Fan Cover AV150, AV200, AV250 (3ph)	20.00

ITT Lowara Submersible Pumps

Code	Description	Price
DOC3	ITT DOC3 Submersible Pump c/w float switch - 0.33HP / 0.25kw Max Output: 135 litres/min @ 2 metre head 10 metre cable - 1.25" FT connection	215.00
DOC7	ITT DOC7 Submersible Pump c/w float switch - 0.75HP / 0.55kw Max Output: 225 litres/min @ 3.7 metres head 10 metre cable - 1.25" FT connection	260.00
GP114112THU	Sub-Pump to 1.5" Hose Coupling 1.25" MT x 40mm dia. Spigot for 1.5" Hose	8.00
CX38M	1.5" RPVC Clear Hose - per metre	7.50
HC3850	Stainless Steel Hose Clamp 38mm - 50mm	4.25



DOC3

ITT Lowara SS Pump c/w float switch



DOC7

ITT Lowara SS Pump c/w float switch



GP114112THU



HC3850



CX38M

Commercial Stainless Steel Submersible Pumps can be "hard" plumbed with PVC pipe and fittings for a more permanent installation. PVC Pipe & Fittings at rear of this catalogue

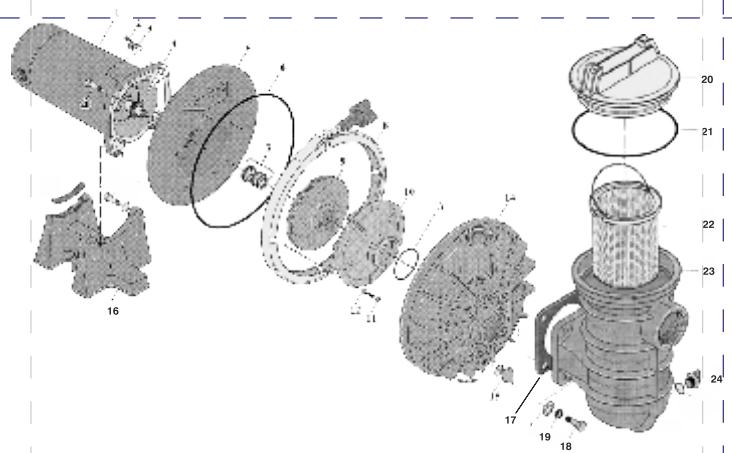
Sta-Rite **5P-2R** Pumps - Connections: 0.5-1.5HP = 1.5" 2 & 3HP = 2"

Pump Code	HP	kW	Electrical Supply	Price
5P2R-C-1	0.50	0.37	Single Phase	668.00
5P2R-D-1	0.75	0.56	Single Phase	694.00
5P2R-E-1	1.00	0.75	Single Phase	745.00
5P2R-F-1	1.50	1.10	Single Phase	831.00
5P2R-C-3	0.50	0.37	Three Phase	668.00
5P2R-D-3	0.75	0.56	Three Phase	685.00
5P2R-E-3	1.00	0.75	Three Phase	738.00
5P2R-F-3	1.50	1.10	Three Phase	805.00



Sta-Rite **5P2R** Pump - Spares

No.	Code	Description	Price
4	SP1193	Water Slinger (C69-2)	1.34
5	SPSR19	Seal Plate old style (C203-137P1)	156.26
	SPSR20	Copper Insert (J3-2)	13.01
6	SPSR22	Body "O" Ring (R39006000)	17.50
7	SPSR15	Pump Seal (pre 2009) (RU10993SS)	36.89
7	SPSR15N	Pump Seal (post 2009) (R173040100S)	39.14
8	SPSR21	Clamp Band/Nut (RC19-37A)	76.00
9	SPSR26	Impeller 1/2HP (RC 10592)	62.22
9	SPSR27	Impeller 3/4HP (RC105138)	78.49
9	SPSR28	Impeller 1HP (RC105137)	78.49
9	SPSR29	Impeller 1.5HP (RC105136)	78.49
	SPSR99	Impeller Screw 3 phase (RC30-12)	5.00
10	SPSR36	Diffuser 1/2HP (RX1216P)	31.11
10	SPSR37	Diffuser 3/4 - 1.5HP (RC1200PA)	31.11
13	SPSR24	Diffuser "O" Ring (U9-226)	3.27
14	SPSR18P	Tank Body (RC176-47P1W)	95.00
15	SPSR30	1/4" Plug (RU178-920P)	4.67
17	SPSR25	Square Gasket (RC20-123)	5.43
20	SPSR11	Lid (RC3-139PI)	50.63
21	SPSR12	Lid "O" Ring (RU9-229)	25.93
	SPSR43	Lid Tool (RU79-11)	59.62
22	SPSR14	Strainer Basket (RC108-33P)	28.99



Sta-Rite **5P-6R** Pumps - Connections: 0.5-1.5HP = 1.5" 2 & 3 HP = 2"

Pump Code	HP	kW	Electrical Supply	Price
5P6R-D-1	0.75	0.55	Single Phase	909.00
5P6R-E-1	1.00	0.75	Single Phase	952.00
5P6R-F-1	1.50	1.10	Single Phase	1,036.00
5P6R-G-1	2.00	1.50	Single Phase	1,120.00
5P6R-H-1	3.00	1.50	Single Phase	1,196.00
5P6R-D-3	0.75	0.55	Three Phase	824.00
5P6R-E-3	1.00	0.75	Three Phase	877.00
5P6R-F-3	1.50	1.10	Three Phase	900.00
5P6R-G-3	2.00	1.50	Three Phase	1,044.00
5P6R-H-3	3.00	2.25	Three Phase	1,149.00



Sta-Rite **5P4R & 5P6R** Pump - Spares

No.	Code	Description	Price
2	SPSR80	Seal Plate (RC103-194PG)	75.00
3	SPSR22	Body "O" Ring (R39006000)	17.50
	SPSR70	5P6R Pump Seal (R374000027S)	105.04
	SPSR45	5P4R Pump Seal (U9-372SS)	45.00
5	SPSR46	Impeller 3/4HP (RC105-238PFM)	66.00
5	SPSR47	Impeller 1HP (RC105-238PGM)	66.00
5	SPSR48	Impeller 1.5HP (RC105-238ECAM)	76.98
5	SPSR49	Impeller 2HP (RC105-238PLBAM)	76.98
5	SPSR50	Impeller 3HP (RC105-238PHAM)	76.98
	SPSR61	Impeller Screw (R37337-6080)	11.18
6	SPSR51	Diffuser (RC1-271P)	46.81
7	SPSR52	Diffuser "O" Ring (RU9-374)	9.15
8/9	SPSR21	Clamp Band/Nut (RC19-37A)	76.00
11	SPSR83	Lid & Lock Assy (R17307-0111S)	92.38
12	SPSR84	5P6R Lid "O" Ring (R35505-1440)	25.81
12	SPSR55	5P4R Lid "O" Ring (U9-375)	23.00
13	SPSR56	Strainer Basket (RC8-58P)	25.22
14	SPSR30	Plug & O Ring	4.67

