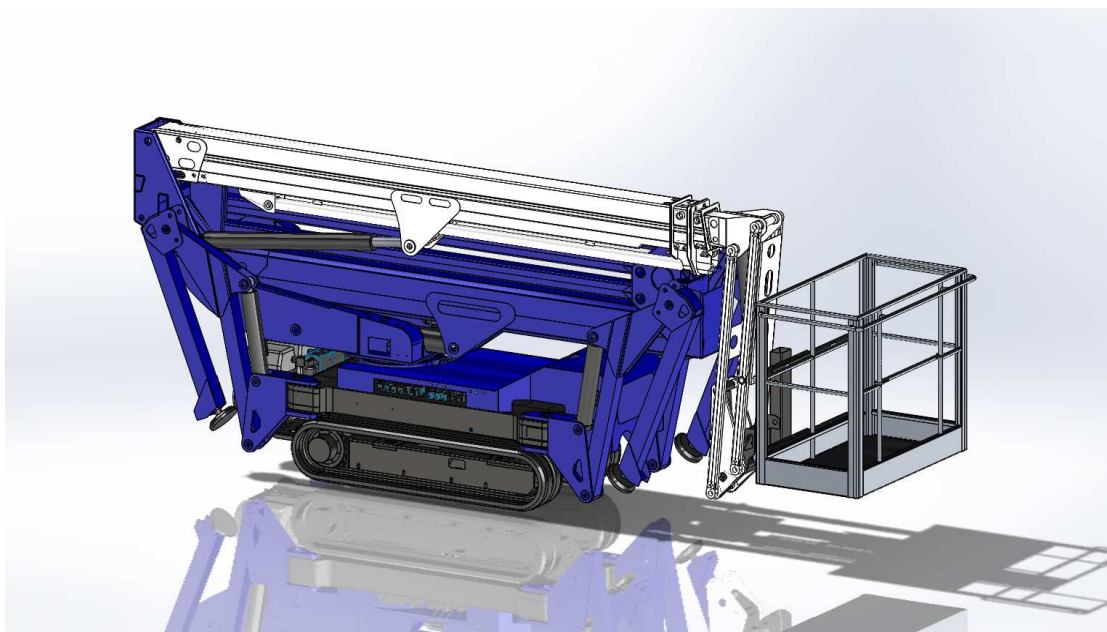


BLUEAIRIA
PIATTAFORMA AEREA CINGOLATA

BLUELIFT
PIATTAFORME AEREE

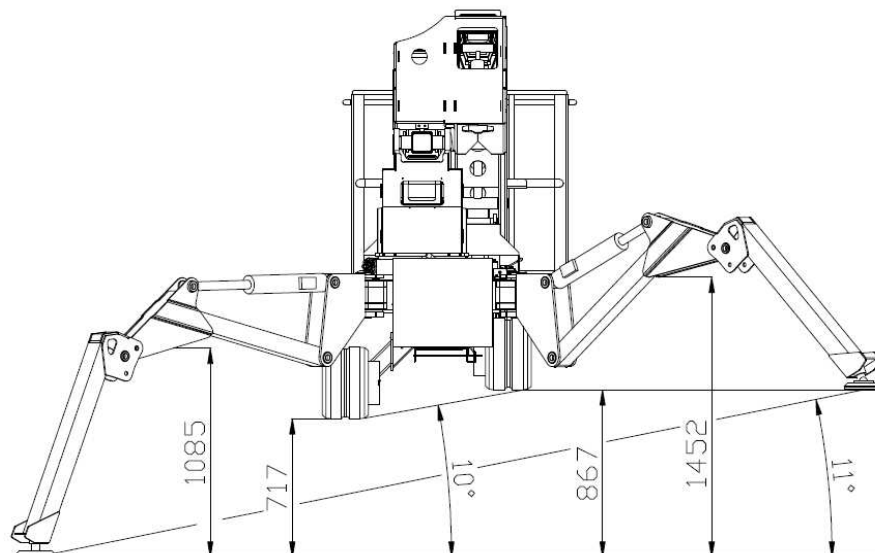
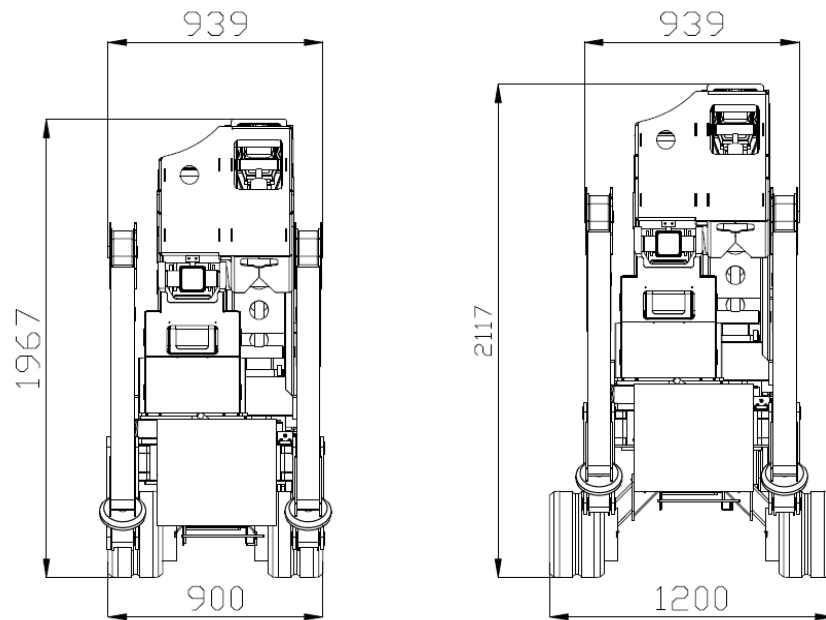
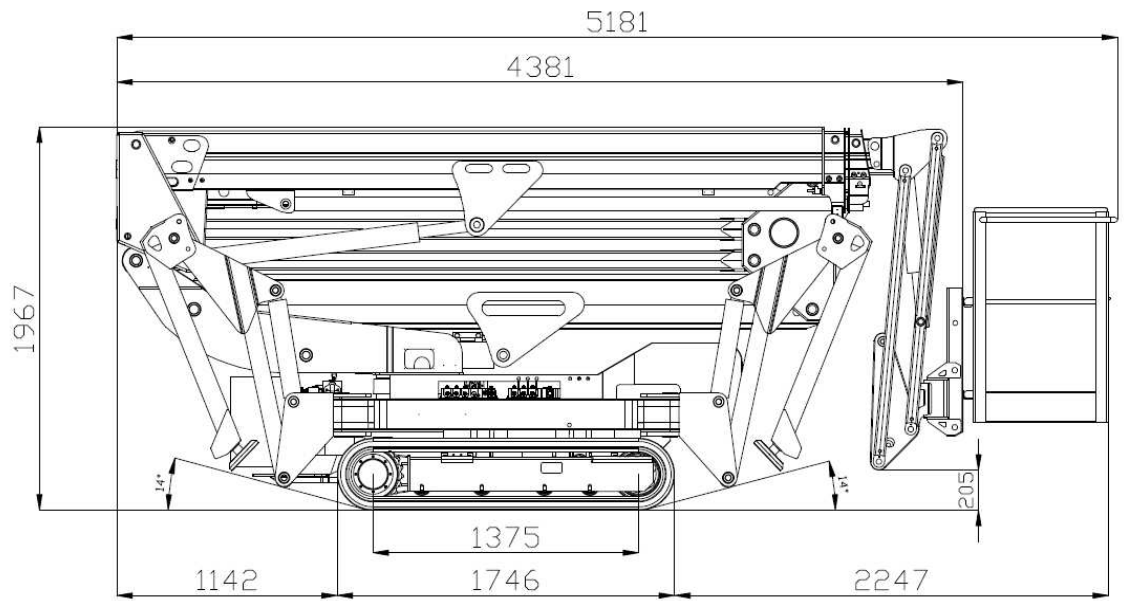


NEW SA22



data are indicative and not binding

bluelift.it

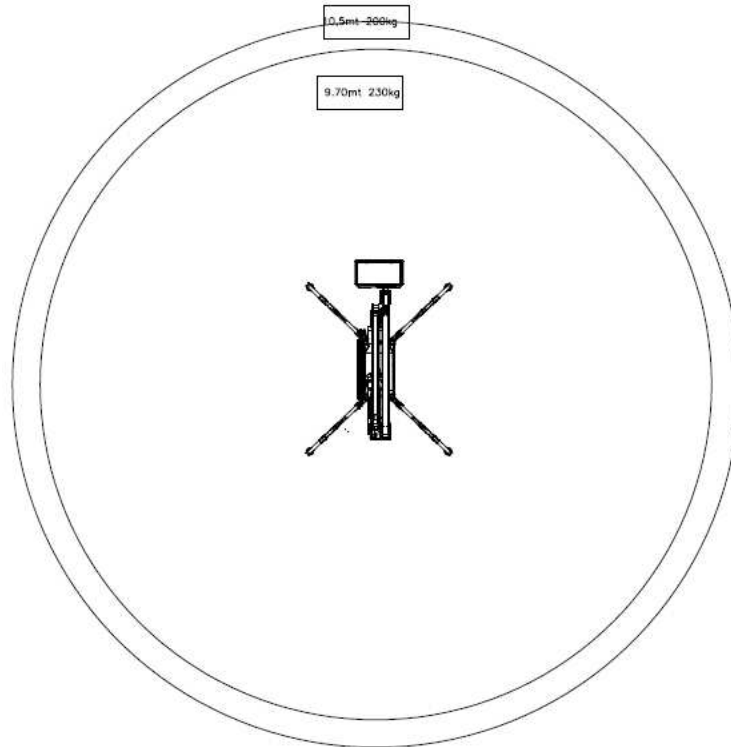
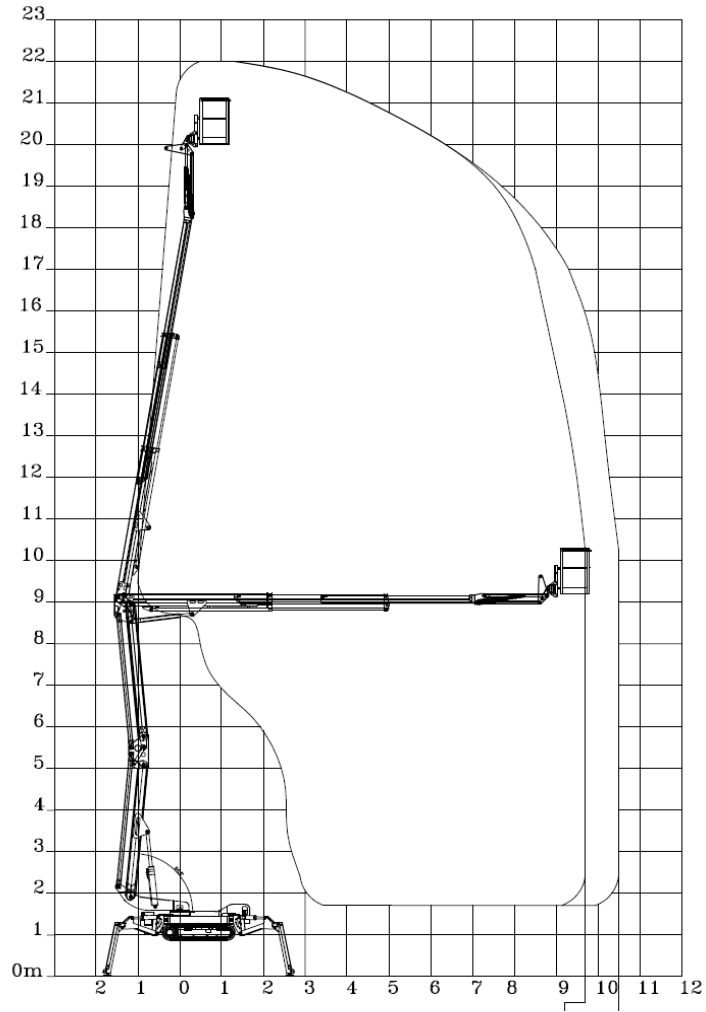


data are indicative and not binding

BLUE AREA

Stabilization: 3,99 m x 4,75 m

10,8 m/200 kg
9,5 m/250 kg



data are indicative and not binding

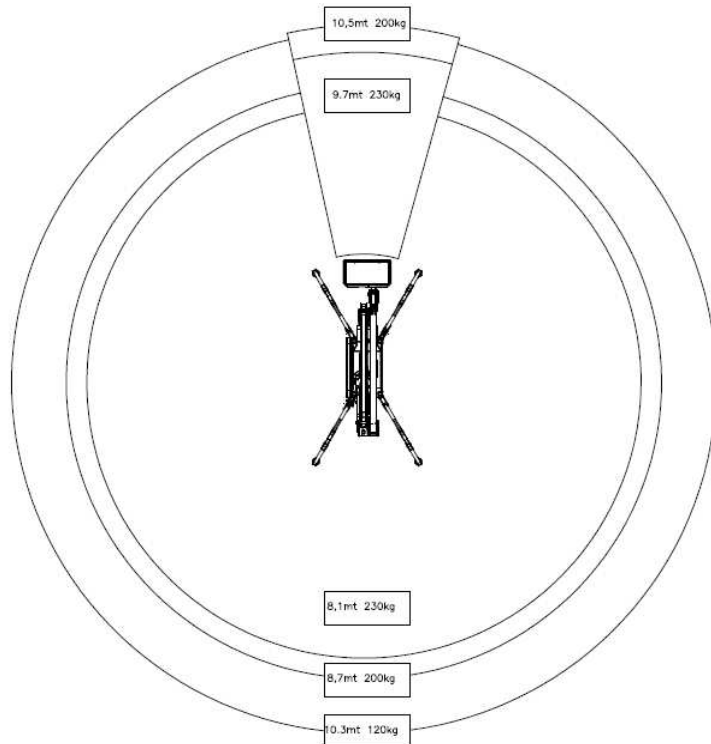
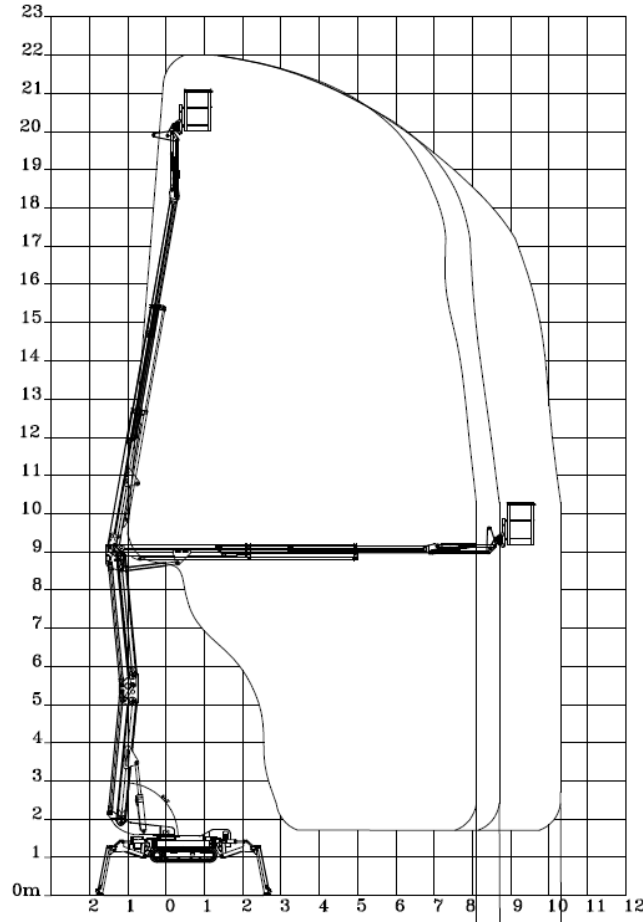
GREEN AREA

Stabilization:
2,99 m x 5,53 m

10,8 m/120 kg
9,0 m/200 kg
8,0 m/250 kg
10,8 m/200kg
9,5 m/250 kg

In the angle external to the two frontal stabilizers

Only in the angle between the two frontal stabilizer



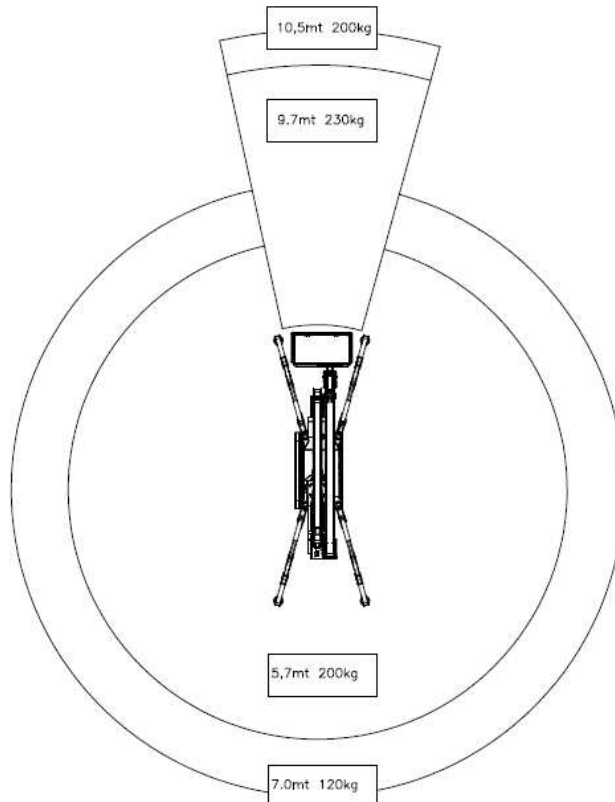
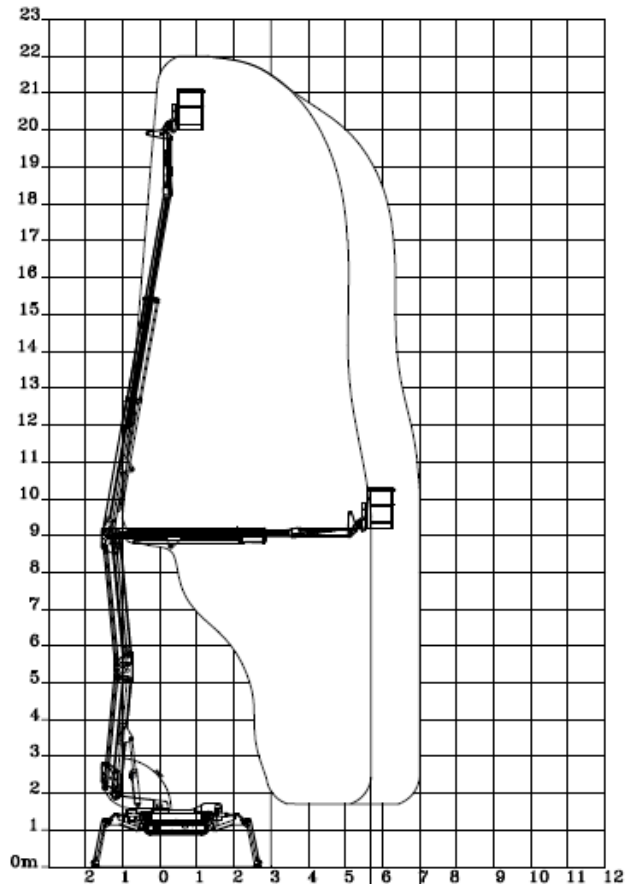
data are indicative and not binding

YELLOW AREA

Stabilization:
1,98 m x 5,95 m

7,3 m/120 kg
6,3 m/200 kg
10,8 m/200kg
9,5 m/250 kg

In the angle external to the two frontal stabilizers
Only in the angle between the two frontal stabilizer



data are indicative and not binding

SPECIFICATIONS SA22

Working height:	22 m
Max outreach:	10,8 m
Load capacity (Operators)	250 kg (2 people)
Basket in aluminium	1300 x 700 x 1100 mm
Total weight	3030 kg
Turret rotation	340°
Basket rotation	80°+ 80°
Jib working angle	-100°/10°
Max translation speed	1,5 km/h
Gradeability	28%

EQUIPMENT STANDARD :

- Quickly removable aluminium basket
- Hydraulic leveling platform with closed circuit
- Locks for the safety belts on the platform
- Proportional controls
- Emergency push-button with engine stop
- Interblock stabilizers/booms
- Hand pump for the emergency descent of the platform
- Protection on outrigger cylinders
- Track width adjusting system with oscillating axle
- 110/220 V Supply with plug on the platform with earth leakage circuit breaker
- Electric pump 110V/220V
- Petrol engine HONDA 15 CV with automatic RPM control
- Basket rotation
- Hetriconic radiocontrol (interactive and multi lingual display + battery charger + 2 battery)
- Self stabilizing system
- Automatic center position of turret
- Automatic START & STOP on engine
- Dual hydraulic movements
- Double speed drive system
- Slope alarm, angle > 5°
- Electronic board certified by TUV and fulfill the new European norms
- Produced according to EN 280 norm and international safety regulations
- Use and maintenance handbook

OPTIONAL:

- Air/Water tube in basket
- Diesel engine HATZ with automatic RPM control
- Special color
- No-marking crawlers
- GO HOME function
- BLUE LITHIUM pack
- BLUE HYBRID pack

Note: these data are indicative and not binding