

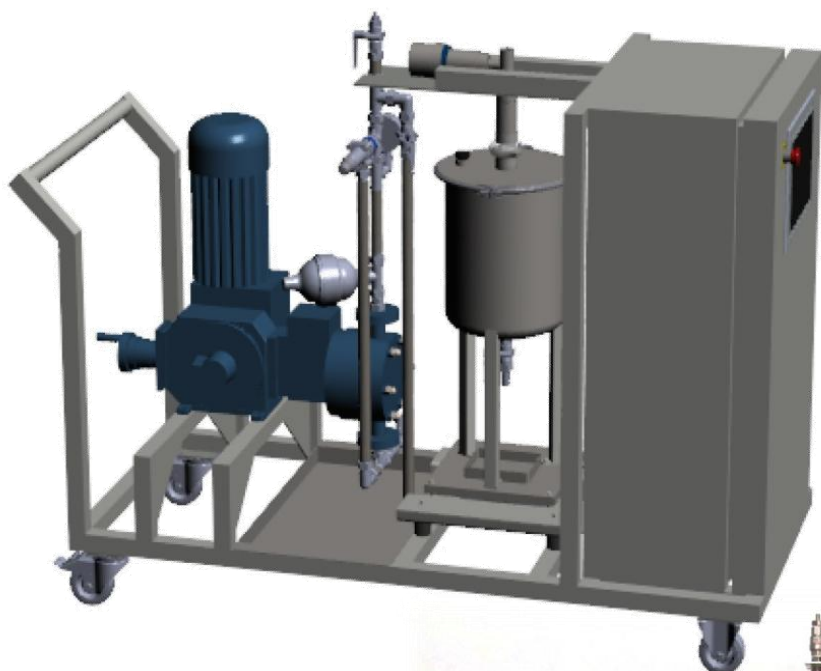


**ALGO DOSYS SAGL**

Sistemi di dosaggio

MWSt. / IVA No.: CHE-352.939.943

PIAZZALE RONCÀA 4  
CH-6850 MENDRISIO  
TEL / FAX +41 91 630 14 59  
info@algodosys.com  
[www.algodosys.com](http://www.algodosys.com)



***Algo Dosys***  
***DOXA.L15 MMx25***

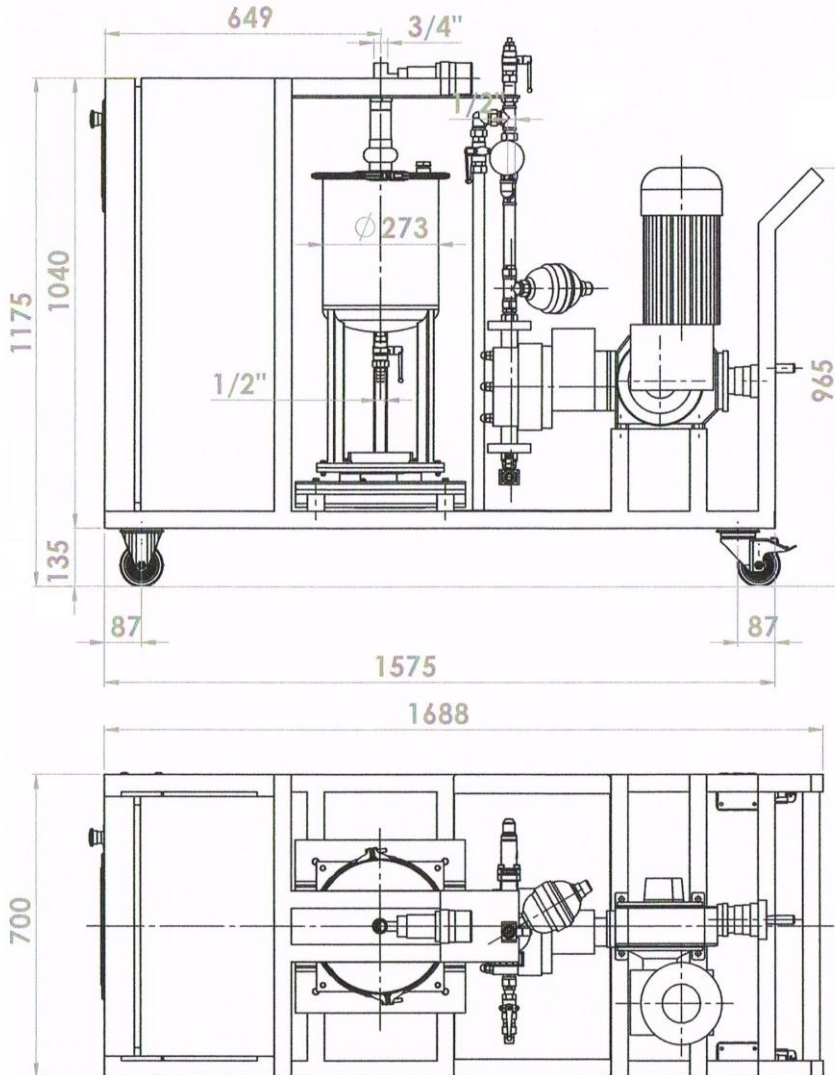


**ALGO DOSYS SAGL**

Sistemi di dosaggio

MWSt. / IVA No.: CHE-352.939.943

PIAZZALE RONCÀA 4  
CH-6850 MENDRISIO  
TEL / FAX +41 91 630 14 59  
info@algodosys.com  
[www.algodosys.com](http://www.algodosys.com)



#### GENERAL FEATURES

MATERIAL PROPERTIES	Liquids, not fluids, dense
APPLICATIONS	Dosing of material extremely constant. Especially suitable for LIQUIDS of different viscosities
DEVICES FOR DOSING	Double diaphragm dosing pump, dosing by weight loss
FLOW	1 ... 20 kg / h range of error of less than 1%
POWER SUPPLY	400V 50-60 Hz
CONSUMPTION	2,8 A
COMMUNICATIONS	PLC SIEMENS SIEMENS touch panel

**THIS PRODUCT CAN BE REALIZED IN ATEX, AND IT IS CONFORM TO THE NORMATIVES:**

2006/42/CE (Dir.Macchine)

94/9/CE (Dir. ATEX)

**CE  II 3D Ex tc IIIB T85°C**

***Algo Dosys***

***DOXA.L15 MMx25***