

Sanitary Sensor 4613

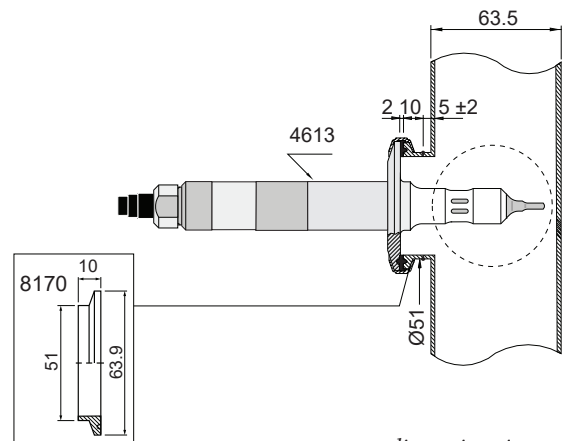
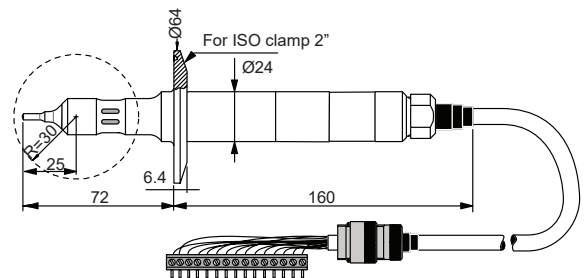
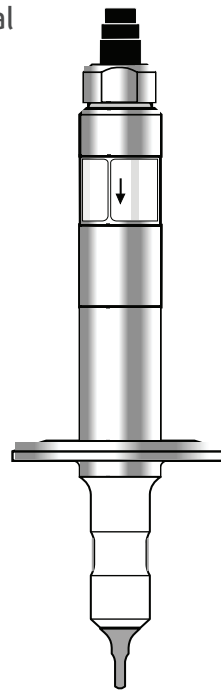
Sanitary open type

4-electrode conductivity sensor with external electrodes. Surface roughness of wet parts $Ra < 0.80 \mu\text{m}$. Used with TCU series 3200.

Mounting

- Mounting with a 2" ISO 2852 clamp (not included).
- Calibrated in a measuring pipe: outside $\varnothing 63$ mm, inside $\varnothing 60$ mm. During factory calibration electrodes are directed towards pipe wall as shown. If original factory calibration is used, mount the sensor in the same way; recalibration is required if mounted to a larger pipe or with a different electrode direction.
- On a horizontal pipe, mount to the side of the pipe. Make sure no air bubbles occur at installation point.

Technical data	
Materials	Sensor: PTFE, silicone rubber and steel W 1.4404 (AISI 316L) Flange and cable connection: W 1.4404 (AISI 316L)
Pressure	12 bar at 150 °C
Cell constant	Sensor specific, factory calibrated Calibrated in $\varnothing 63$ mm SS pipe. $\varnothing 51$ mm pipe gives an error of +6 %
Accuracy	$\pm 2 \%$
Meas. range	5...200 000 $\mu\text{S}/\text{cm}$
Linearity	$\pm 2 \%$ per decade
Temp. sensor	Pt 1000 (IEC 751 class A) Time delay T_{90} , 9 sec
Protection	IP65 splash-proof (DIN 40 050)
Sensor cable	PVC 18 x 0.22 mm ² screened max. temp. 70 °C
Cable length	Standard length 5 m COND15242-10 -> 10 m COND15242-15 -> 15 m
Connection	15-pole strip connector with MF20 cable adapter
Weight	1.1 kg



dimensions in mm

Hygienic mounting

- Mounting in an EHEDG approved process connection.
- The installation must comply to the EHEDG criteria of $L < D-d$.
- Tri-clamps and combifit gaskets must be EHEDG approved type.

