

Sanitary Sensor 4683

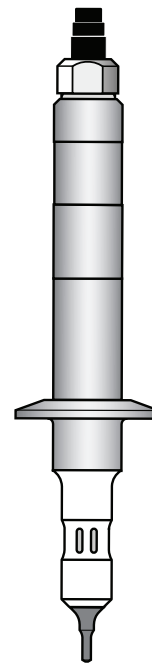
Sanitary open type for tank mounting

4-electrode conductivity sensor with external electrodes. Surface roughness of all wet parts $Ra < 0.80 \mu\text{m}$. Used with TCU series 3200.

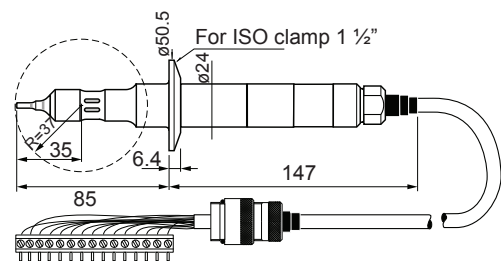
Mounting

- Mounting with a 1 1/2" ISO 2852 clamp (not included).
- Mount in a place where no air bubbles or sedimentation occur.
- The sensor has been calibrated in a measuring pipe with inside $\varnothing 180 \text{ mm}$. If the sensor will be mounted to a pipe smaller than $\varnothing 100 \text{ mm}$, recalibration is required.

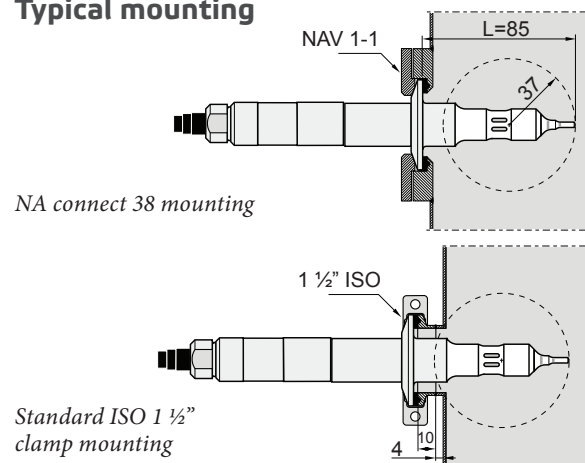
Technical data	
Materials	PTFE and steel W 1.4404 (AISI 316L). Flange and cable connection: steel W 1.4404 (AISI 316L). Inside pressure gasket: SIL
Pressure	12 bar at 150 °C
Cell constant	Sensor specific, factory calibrated Calibrated in a 180 mm pipe
Accuracy	$\pm 2 \%$
Meas. range	5...200 000 $\mu\text{S/cm}$
Linearity	$\pm 2 \%$ per decade
Temp. sensor	Pt 1000 (IEC 751 class A) Time delay T_{90} , 9 sec
Protection	IP65 splash-proof (DIN 40 050)
Sensor cable	PVC 18 x 0.22 mm ² screened max. temp. 70 °C
Cable length	Standard length 5 m COND15242-10 -> 10 m COND15242-15 -> 15 m
Connection	15-pole strip connector with MF20 cable adapter
Weight	1.5 kg



dimensions
in mm



Typical mounting



Hygienic mounting

- Mounting in an EHEDG approved process connection.
- The installation must comply to the EHEDG criteria of $L < D-d$.
- Tri-clamps and combifit gaskets must be EHEDG approved type.

