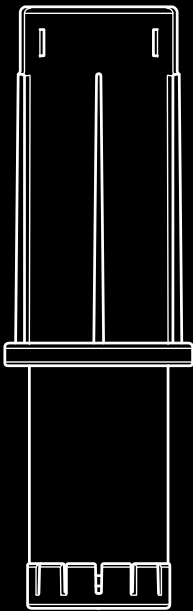




90 GRAD
MARIO RIEGGER

OPERATING INSTRUCTIONS

LEVELING SYSTEM



LEVELING FOOT 110101
LEVELING FOOT 110202

VERSION 1
DECEMBER 2020
© 2020

COMPANY INFORMATION

90 GRAD GmbH

Managing Director: Mario Riegger

Cell phone +49 173 8936494

E-mail mr@90grad.net

Website www.90grad.net

Address Tobelweg 26 A, 88090 Immenstaad am Bodensee, Germany

LEVELING SYSTEM

The leveling system from 90 GRAD GmbH enables the height of support legs to be adjusted to virtually any setting.

As such, tables, machines, devices, system bases, and transport systems can be precisely aligned in a matter of seconds.

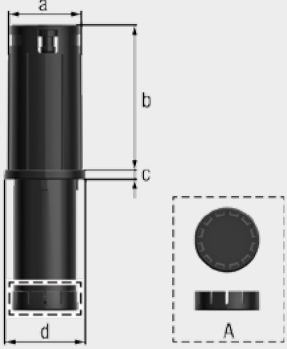
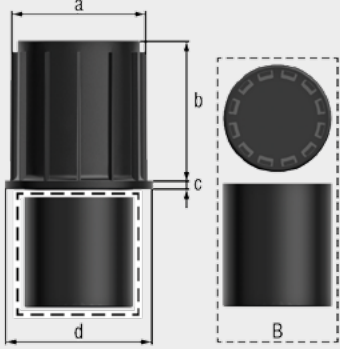
Adapter sleeves can be used to attach the leveling system to different types of support legs.

NOTE

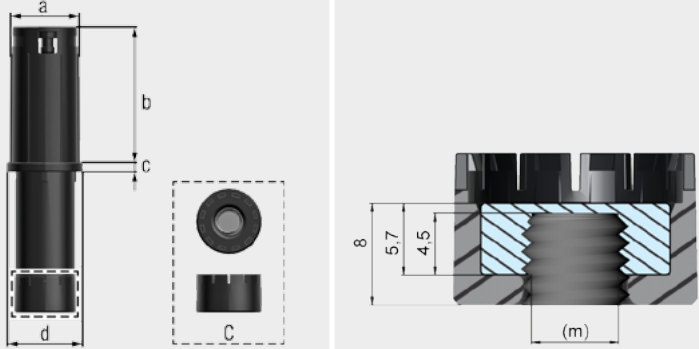
Observe the maximum pressure load for the leveling foot.

Please see the technical data: "Load capacity"

TECHNICAL DATA

Version (A+B) End cover closed		
LEVELING FOOT	110101	110202
End cover	Version (A) closed	Version (B) closed
Shaft diameter (a)	23 mm	46 mm
Shaft length (b)	47 mm	48 mm
Support ring height (c)	3 mm	3 mm
Support ring diameter (d)	26 mm	50 mm
Adjustment range	26 mm	26 mm
Increments	1.5 mm	1.5 mm
Weight	21 g	60 g
Load capacity	70 kg	70 kg
Material	Glass fiber reinforced plastic	Glass fiber reinforced plastic
Color	Black (standard) Choice of colors on request	Black (standard) Choice of colors on request
Adapter sleeve	Accessory	-

TECHNICAL DATA

<p>Version (C) End cover with threaded insert</p>		
<p>LEVELING FOOT</p>	<p>Article number</p> <p>110140</p> <p>110150</p> <p>110160</p> <p>110180</p>	<p>Thread (m)</p> <p>M4</p> <p>M5</p> <p>M6</p> <p>M8</p>
<p>End cover</p>	<p>Version (C) with threaded insert (galvanized steel) for different types of adjustable feet</p>	
<p>Shaft diameter (a)</p>	<p>23 mm</p>	
<p>Shaft length (b)</p>	<p>47 mm</p>	
<p>Support ring height (c)</p>	<p>3 mm</p>	
<p>Support ring diameter (d)</p>	<p>26 mm</p>	
<p>Adjustment range</p>	<p>26 mm</p>	
<p>Increments</p>	<p>1.5 mm</p>	
<p>Weight</p>	<p>28 g</p>	
<p>Load capacity</p>	<p>70 kg</p>	
<p>Material</p>	<p>Glass fiber reinforced plastic</p>	
<p>Color</p>	<p>Black (standard); choice of colors on request</p>	
<p>Adapter sleeve</p>	<p>Accessory</p>	

ADAPTER SLEEVES FOR LEVELING FOOT 110101

					
Profile	Order number	Profile	Order number	Profile	Order number
30 x 1.5 mm	1301040	30 x 30 x 1.5 mm	1302020	40 x 30 x 2 mm	1303010
30 x 2 mm	1301030	30 x 30 x 2 mm	1302010	50 x 30 x 2 mm	1303020
32 x 1.2 mm	1301060	32 x 30 x 2 mm	1302030	60 x 30 x 2 mm	1303030
32 x 1.5 mm	1301070	35 x 30 x 2 mm	1302040	-	-
32 x 2 mm	1301050	38 x 38 x 1.5 mm	1302050	-	-
35 x 1.5 mm	1301100	40 x 38 x 1.5 mm	1302080	-	-
35 x 2.5 mm	1301080	40 x 40 x 2 mm	1302070	-	-
35 x 2 mm	1301090	40 x 40 x 3 mm	1302060	-	-
37.5 x 1.5 mm	1301110	50 x 50 x 1.5 mm	1302110	-	-
38 x 1.5 mm	1301120	50 x 50 x 2 mm	1302100	-	-
40 x 1.5 mm	1301140	50 x 50 x 2.5-3 mm	1302090	-	-
40 x 2 mm	1301130	60 x 60 x 2 mm	1302130	-	-
42 x 2 mm	1301150	60 x 60 x 2.5 mm	1302120	-	-
45 x 2 mm	1301160	70 x 70 x 2 mm	1302140	-	-
48.3 x 2.3-2.9 mm	1301170	-	-	-	-
50 x 1.5 mm	1301180	-	-	-	-
50 x 2 mm	1301190	-	-	-	-
60 x 2.3-2.9 mm	1301200	-	-	-	-

INSTALLATION

The installation process is shown using the example of leveling foot 110101 with a closed end cover and with the use of an adapter sleeve (available as an accessory).

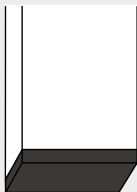
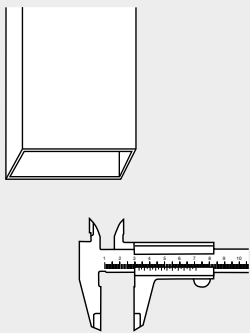

CAUTION



Risk of crushing

There is a risk of crushing fingers and hands when installing the leveling feet.

- Ensure that the table is held securely when it is raised.

 ↓		
<p>▶ Remove the plug from the table leg.</p>	<p>▶ Measure the table leg and select the correct adapter sleeve.</p>	<p>▶ Fold open the adapter sleeve.</p>

NOTE

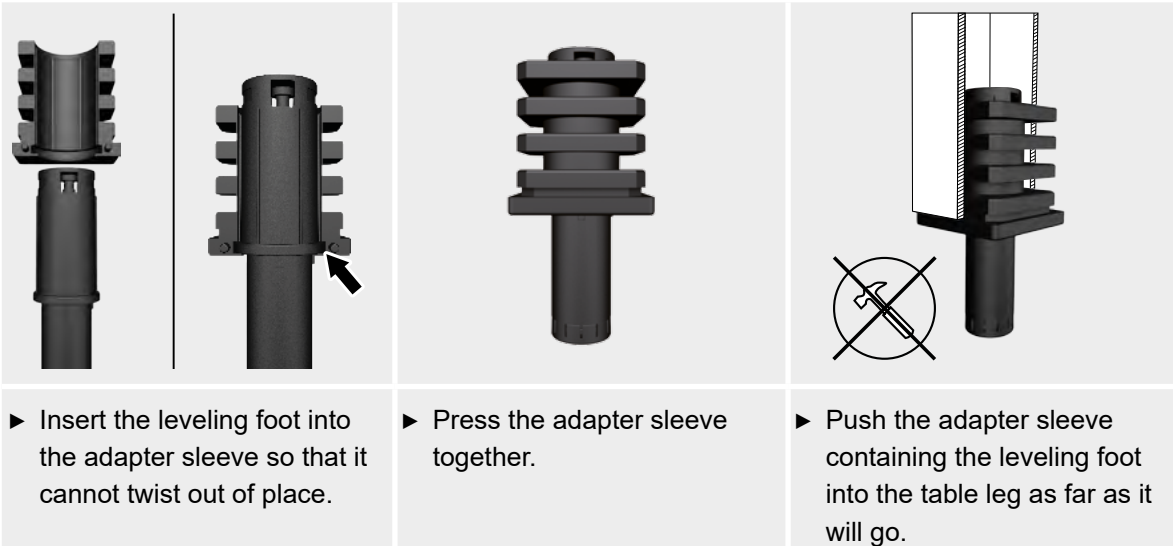
Please use adapter sleeves when installing the leveling feet in wooden table legs. The clamping force of the adapter sleeves in wood is significantly higher.

ATTENTION

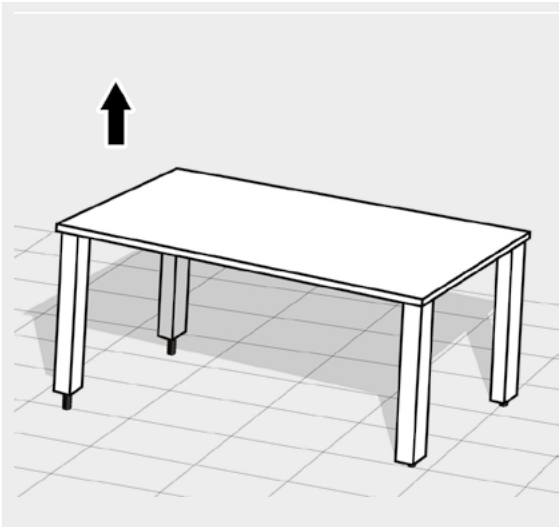
Material damage due to contamination

Dirt and particles can damage the leveling foot.

- Remove any dirt and particles from the table leg.
- If possible, blow away any contamination on the table leg using compressed air.



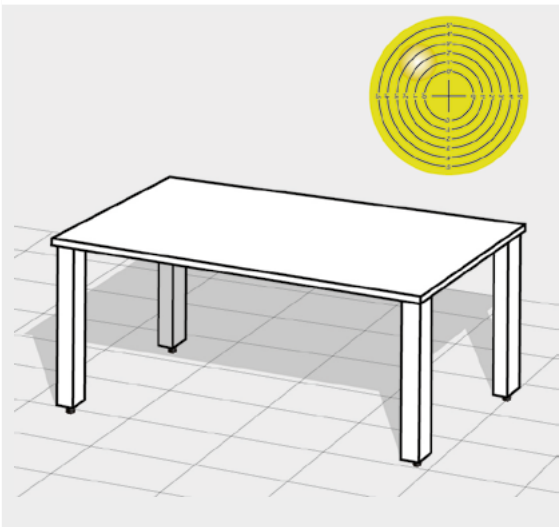
LEVELING



- ▶ Lift the table fully off the floor on one side and set it down again.
- ▶ Lift the table fully on the opposite side and set it down again.

NOTE

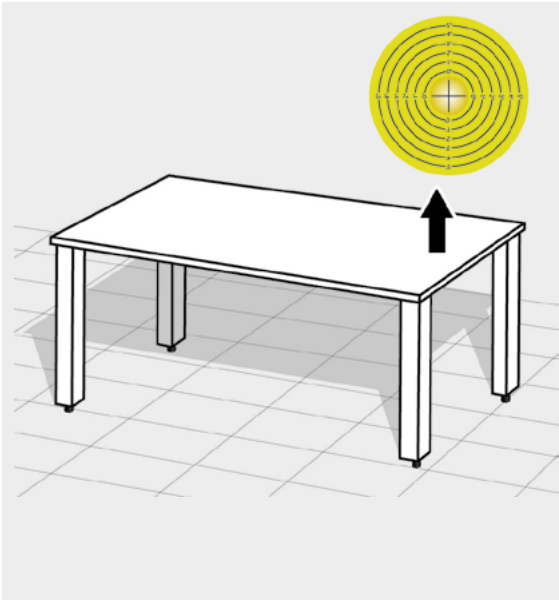
The table is now resting securely on all table legs and does not wobble.



- ▶ Check the table alignment.

NOTE

Use a spirit level if necessary.



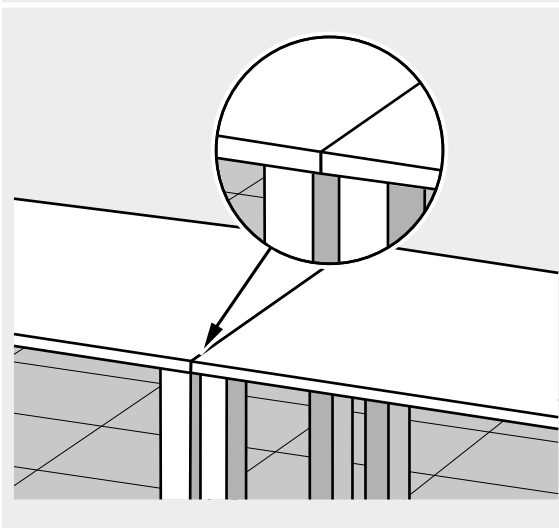
- Raise the table at the required point until it is at the desired alignment.

NOTE

The table can be positioned at an angle to prevent water from collecting on the surface.

NOTE

Any force exerted on the side of the table will be transferred to the leveling feet in the form of shearing forces. If the leveling feet are fully extended, they could break if subjected to high shearing forces.



NOTE

The leveling system makes it simple to align tables that need to be grouped together.



90 GRAD GmbH

CONTACT DETAILS

CELL PHONE	+49 173 8936494
E-MAIL	MR@90GRAD.NET
WEBSITE	WWW.90GRAD.NET
ADDRESS	TOBELWEG 26 A, 88090 IMMENSTAAD AM BODENSEE, GERMANY