



CBD

AIR FILTERS



DESCRIPTION

Air breather, thread mounted

MATERIALS

Housing: Black painted steel

Spare filter element: Filtration degree in air

VD - Velvet mesh 10 μm

FD - Fibreglass 2,5 μm (on request only)

CD - Impregnated cellulose 10 μm (on request only)

FLOW RATE

Qmax 1500 l/min

COMPATIBLY

Full with fluids HH-HL-HM-HV-HTG (according to ISO 6743/4).

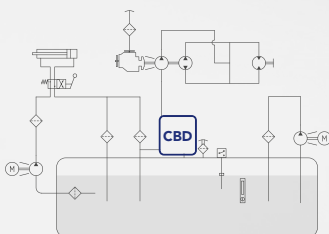
For fluids different than the above mentioned, please contact our Customer Service.

WORKING TEMPERATURE

From -25°C to 110°C



HYDRAULIC DIAGRAM



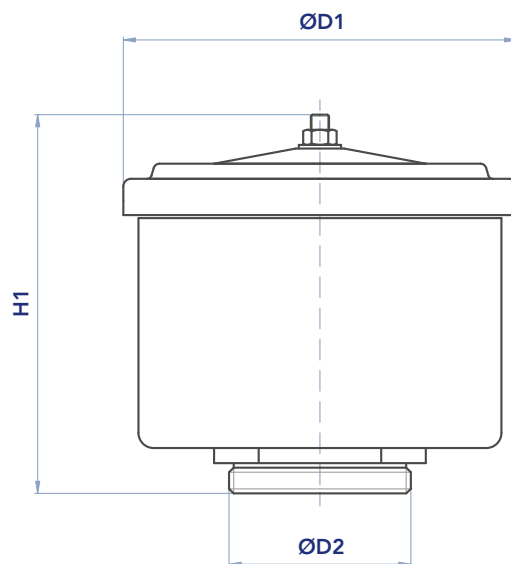
Is this datasheet the latest release? Please check on our website

ORDERING AND OPTION CHART

C	B	D	COMPLETE FILTER FAMILY				FILTER ELEMENT FAMILY	E	B	D
			SIZE & LENGHT	11	12	13	SIZE & LENGTH			
	B		PORT TYPE							
			B = BSP thread	B	B	B				
1	6		PORT SIZE							
			16 = 2"	16	16	16				
			FILTER MEDIA				FILTER MEDIA			
			VD = velvet mesh 10 µm	VD	VD	VD				
			FD* = fibreglass 2,5 µm	FD	FD	FD				
			CD* = impregnated cellulose 10 µm	CD	CD	CD				

* on request only

INSTALLATION DRAWING



DIMENSIONS

	flow rate (l/min)	D1	D2	H1	KG
CBD11B16VD	500	130	2" BSP	100	0,50
CBD12B16VD	1.000	130	2" BSP	130	0,60
CBD13B16VD	1.500	130	2" BSP	175	0,80