



CBE

AIR FILTERS



DESCRIPTION

Air breather, flange mounting

MATERIALS

Housing: Black painted steel

Spare filter element: Filtration degree in air

VD - Velvet mesh 10 μm

FD - Fibreglass 2,5 μm (on request only)

CD - Impregnated cellulose 10 μm (on request only)

FLOW RATE

Qmax 20000 l/min

COMPATIBLY

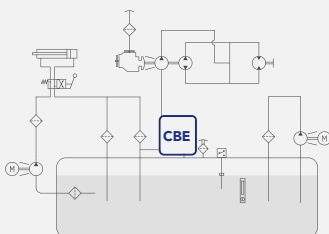
Full with fluids HH-HL-HM-HV-HTG (according to ISO 6743/4).

For fluids different than the above mentioned, please contact our Customer Service.

WORKING TEMPERATURE

From -25°C to 110°C

HYDRAULIC DIAGRAM



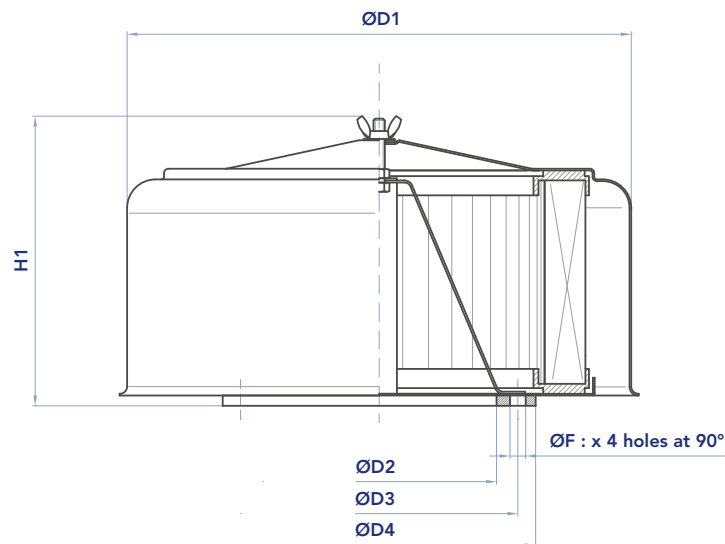
Is this datasheet the latest release? Please check on our website

ORDERING AND OPTION CHART

C	B	E	COMPLETE FILTER FAMILY						FILTER ELEMENT FAMILY	E	B	E
			SIZE & LENGHT	11	12	21	22	23	SIZE & LENGTH			
		F	PORT TYPE									
			F = round flange	F	F	F	F	F				
			PORT SIZE									
			10 = hole ø 100 mm	10	-	-	-	-				
			12 = hole ø 125 mm	-	12	-	-	-				
			14 = hole ø 145 mm	-	-	14	-	-				
			16 = hole ø 165 mm	-	-	-	16	16				
			FILTER MEDIA						FILTER MEDIA			
			VD = velvet mesh 10 µm	VD	VD	VD	VD	VD				
			FD* = fibreglass 2,5 µm	FD	FD	FD	FD	FD				
			CD* = impregnated cellulose 10 µm	CD	CD	CD	CD	CD				

* on request only

INSTALLATION DRAWING



DIMENSIONS

	flow rate (l/min)	D1	D2	D3	D4	F	H1	Kg
CBE11F10VD	6.000	292	100	130	160	8,5	120	2,50
CBE12F12VD	9.000	292	125	155,5	180	11	145	2,80
CBE21F14VD	12.000	354	145	175	200	11	160	2,50
CBE22F16VD	15.000	354	165	195	220	11	190	3,00
CBE23F16VD	20.000	354	165	195	220	11	240	3,50