



# CBF

## AIR FILTERS



### DESCRIPTION

Air breather, clamp mounting

### MATERIALS

Housing: Black painted steel

Clamp: Stainless steel

Spare filter element: Filtration degree in air

VD - Velvet mesh 10  $\mu\text{m}$

FD - Fibreglass 2,5  $\mu\text{m}$  (on request only)

CD - Impregnated cellulose 10  $\mu\text{m}$  (on request only)

### FLOW RATE

Qmax 4000 l/min

### COMPATIBLY

Full with fluids HH-HL-HM-HV-HTG (according to ISO 6743/4).

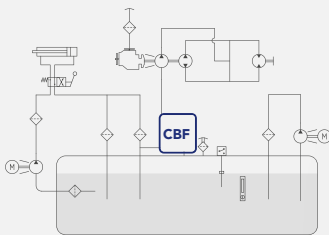
For fluids different than the above mentioned, please contact our Customer Service.

### WORKING TEMPERATURE

From -25°C to 110°C



### HYDRAULIC DIAGRAM



Is this datasheet the latest release? Please check on our website

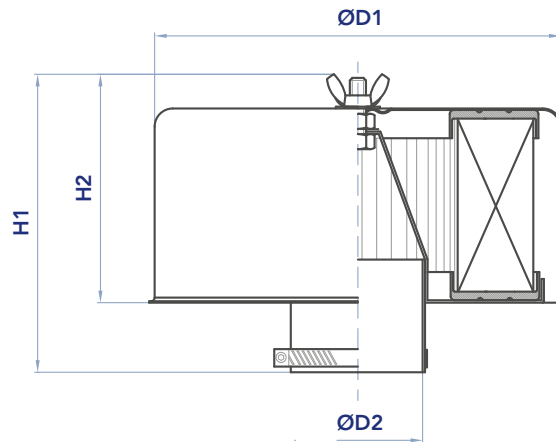


### ORDERING AND OPTION CHART

C	B	F	COMPLETE FILTER FAMILY			FILTER ELEMENT FAMILY	E	B	F
			SIZE & LENGHT	11	21	SIZE & LENGTH			
		C	PORT TYPE						
			C = clamp	C	C				
			PORT SIZE						
			40 = hole ø 40 mm	40	-				
			52 = hole ø 52 mm	52	-				
			70 = hole ø 70 mm	-	70				
			76 = hole ø 76 mm	-	76				
			FILTER MEDIA			FILTER MEDIA			
			VD = velvet mesh 10 µm	VD	VD				
			FD* = fibreglass 2,5 µm	FD	FD				
			CD* = impregnated cellulose 10 µm	CD	CD				

\* on request only

### INSTALLATION DRAWING



### DIMENSIONS

	flow rate (l/min)	D1	D2	H1	H2	Kg
CBF11C40VD	1.000	122	40	120	92	0,60
CBF11C52VD	1.500	122	52	120	92	0,60
CBF21C70VD	3.000	220	70	145	125	1,60
CBF21C76VD	4.000	220	76	145	125	1,60