



CBA
AIR FILTERS



DESCRIPTION

Air breather, hand mounting

MATERIALS

Housing, flange and basket: Zinc plated steel
Cap: Chrome plated

Filter element (not replaceable, filtration degree in air):
Impregnated cellulose 3µm
Polyurethane foam 10µm

FLOW RATE

Qmax 750 l/min

COMPATIBLY

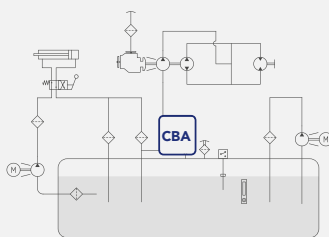
Full with fluids HH-HL-HM-HV-HTG (according to ISO 6743/4).
For fluids different than the above mentioned, please contact
our Customer Service.

WORKING TEMPERATURE:

From -25°C to 110°C



HYDRAULIC DIAGRAM

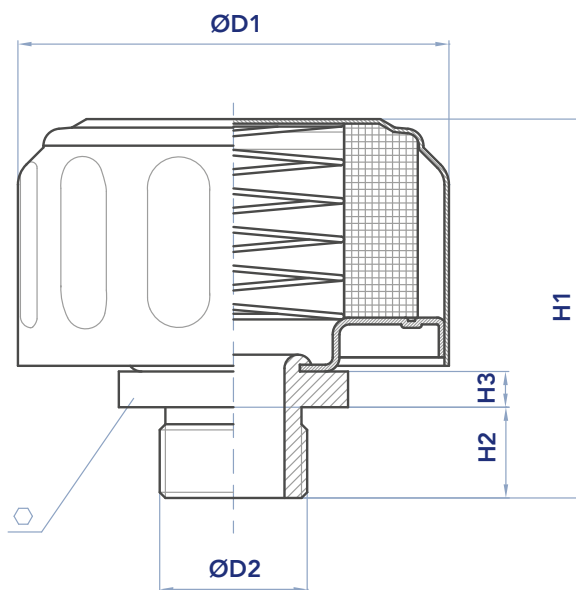


Is this datasheet the latest release? Please check on our website

ORDERING AND OPTION CHART

C	B	A	COMPLETE FILTER FAMILY	
			SIZE & LENGHT	
			11	21
		B	PORT TYPE	
			B = BSP thread	B B
			PORT SIZE	
			02 = 1/4"	02 -
			06 = 3/4"	- 06
			FILTER MEDIA	
			CC = impregnated cellulose 3 µm	CC CC
			PE = polyurethane foam 10 µm	PE PE

INSTALLATION DRAWING



DIMENSIONS

	filtr. µm (in air)	flow rate (l/min)	D1	D2	H1	H2	H3	
CBA11B02CC	3	150	47	1/4" BSP	19	45	12	7
CBA11B02PE	10	250	47	1/4" BSP	19	45	12	7
CBA21B06CC	3	450	76	3/4" BSP	35	66	16	7
CBA21B06PE	10	750	76	3/4" BSP	35	66	16	7