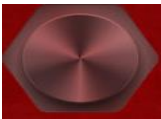




**TEKFix**  
FASTENINGS SOLUTIONS

The logo features the word "TEKFix" in a bold, sans-serif font. "TEK" is in blue, "Fix" is in red, and the "i" in "Fix" has a red dot. Below "TEKFix" is the phrase "FASTENINGS SOLUTIONS" in a smaller, blue, all-caps font. The entire logo is centered on a dark red background.

TEKFix serves with 13 years of experience in manufacturing cold forging and fasteners. TEKFix with its extensive machinery track, offers high quality innovative products and services specially tailored for the application of our customers.

Thanks to its position in the sector, strong infrastructure and connection to the manufacturers in the fasteners, it can offer a wide range of services to its customers at affordable prices.

We are constantly growing by meeting the unique and specific needs of our customers. When necessary, we offer solutions to procurement decisions.

## Our Products

Thread Forming Screw for Plastics , Thread Forming Screw for Metal , Captive Screw, Shoulder Screw, Windows Security Adjustment Rivet, Double Ended Studs, Double Ended Studs, Split Bolt Connectors, Self Drilling Screw , Metric , Sheet Metal, Chipboard, and Special Screw products.

## Sectors

Automotive - Electric & Electronics - White Goods - Small Home Appliances - Solar Panel

### We Produce Product Diameters

Diameter	2mm - 12mm
Length	4mm - 150mm
Hot Forming	150mm - 700mm

### Quality

4,8-6,8-8,8-10,9-12,9 Quality

### Quality Document

PPAP , VDA , IMDS, Sorting

### Production Time

Emergency Production	2 Weeks
Standart Production	4-6 Weeks

### Stainless Specifications

430 - 304 - 316

### Coating Feature

Cr3 Zn- Cr3 Zn Black - Nickel – Nickel Black – Geomet – Geomet Black – Tuf lock

### Packaging

Custom packaging , Custom Label , Custom Printed Box

### Forwarding

Sent with measurement and quality certificates

### Produce Amount

No Minimum Quantity



\* MATERIAL QUALITY

**INOX**  
Stainless Steel

\* COATING QUALITY



\* RAW QUALITY



**PRODUCTS**

**Thread Forming Screw for Thermoplastics**



**High Performance Thread Forming Screw for Plastic**



**Thread Cutting Screws**



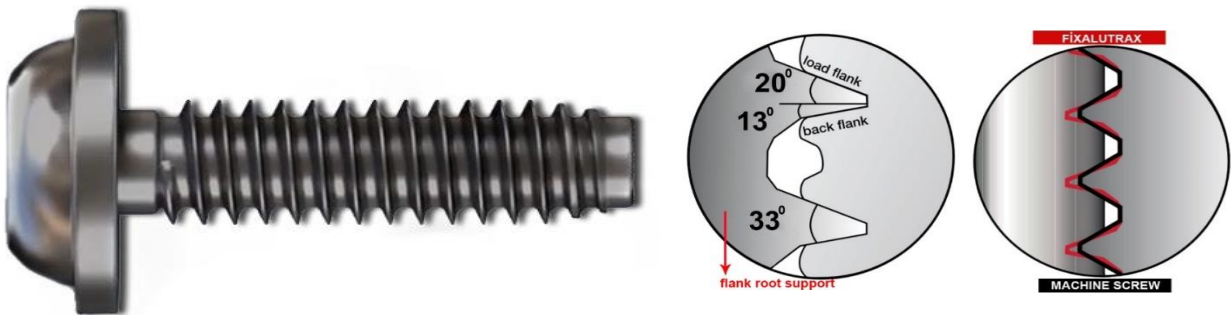
## Thread forming Screw for Metal Spiral



## Thread forming Screw for Metal (DIN 7500)



## Self-Tapping Screw For Light Alloy Materials



\* MATERIAL QUALITY

**INOX**  
Stainless Steel

\* COATING QUALITY



\* RAW QUALITY



**TEKFix**  
FASTENINGS SOLUTIONS

T: +90 (212) 970 13 37

F: +90 (850) 522 34 03

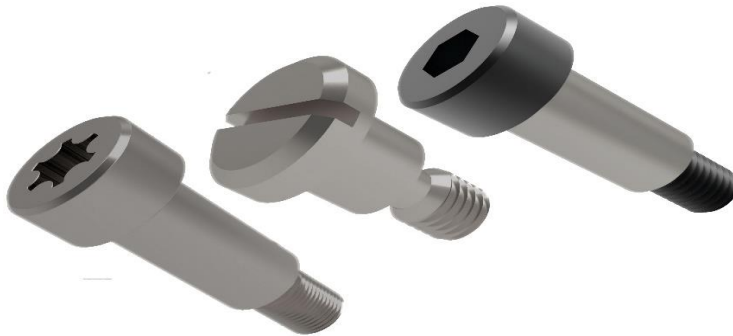
www.tek-fix.com

info@tek-fix.com

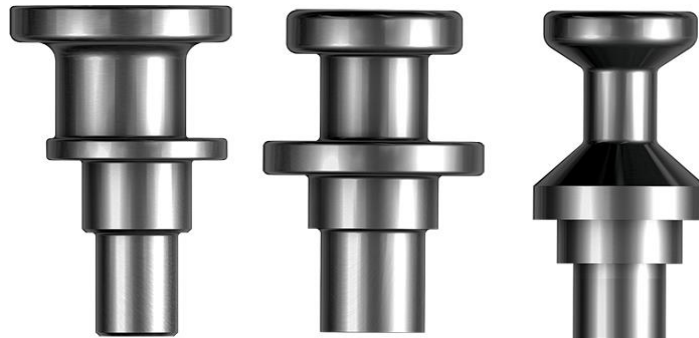
## Captive Screw



## Shoulder Screws



## Windows Security Adjustment Rivet



\* MATERIAL QUALITY

**INOX**  
Stainless Steel

\* COATING QUALITY



\* RAW QUALITY

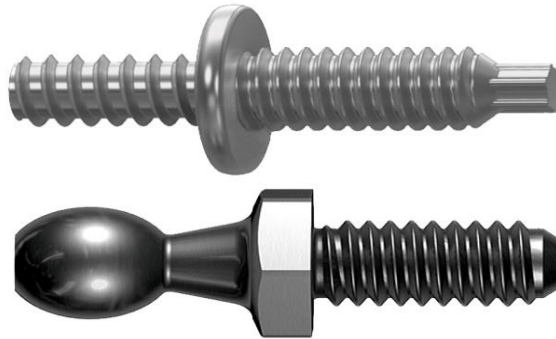


**TEKFix**  
FASTENINGS SOLUTIONS

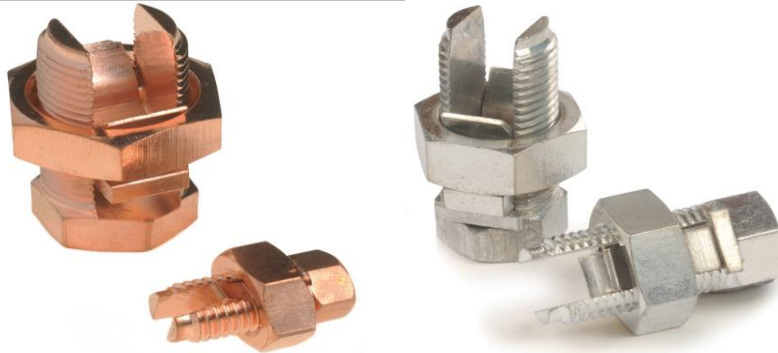
T: +90 (212) 970 13 37  
www.tek-fix.com

F: +90 (850) 522 34 03  
info@tek-fix.com

## Double Ended Studs



## Split Bolt Connectors



## Self Drilling Screw (Carbon - 430-304-316 Stainless Steel)



\* MATERIAL QUALITY

**INOX**  
Stainless Steel

\* COATING QUALITY



\* RAW QUALITY



**TEKFix**  
FASTENINGS SOLUTIONS

T: +90 (212) 970 13 37  
www.tek-fix.com

F: +90 (850) 522 34 03  
info@tek-fix.com

## CENTER ADDRESS

Ziya Gökalp Mah. Süleyman Demirel Bulvarı Mall Off İstanbul No:7  
E Blok Kat:17 D:136 Başakşehir / İstanbul - TURKEY  
Phone : +90 (212) 970 13 37 Fax: +90 (850) 522 34 03  
Web:www.tek-fix.com E-mail : info@tek-fix.com

## FACTORY ADDRESS

Koruma Küçük San. Sit. F Blok No:96 Kaynarca  
Pendik / İstanbul - TURKEY

## GERMANY ADDRESS

HRB 22183 Gäulenwaldstraße 69 57518 Betzdorf  
Tel-Verkauf: +49 2741 1821242 Fax: +49 2741 1821243  
Email : info@fps-metall.de