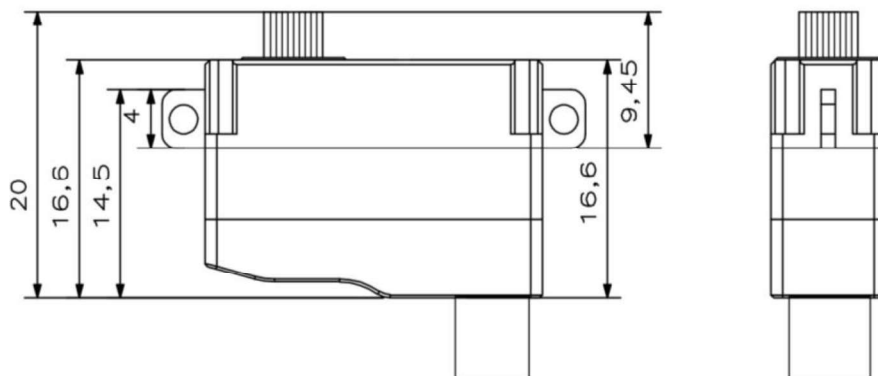
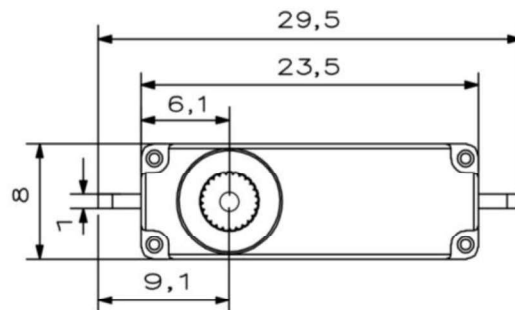


X08H / X08N

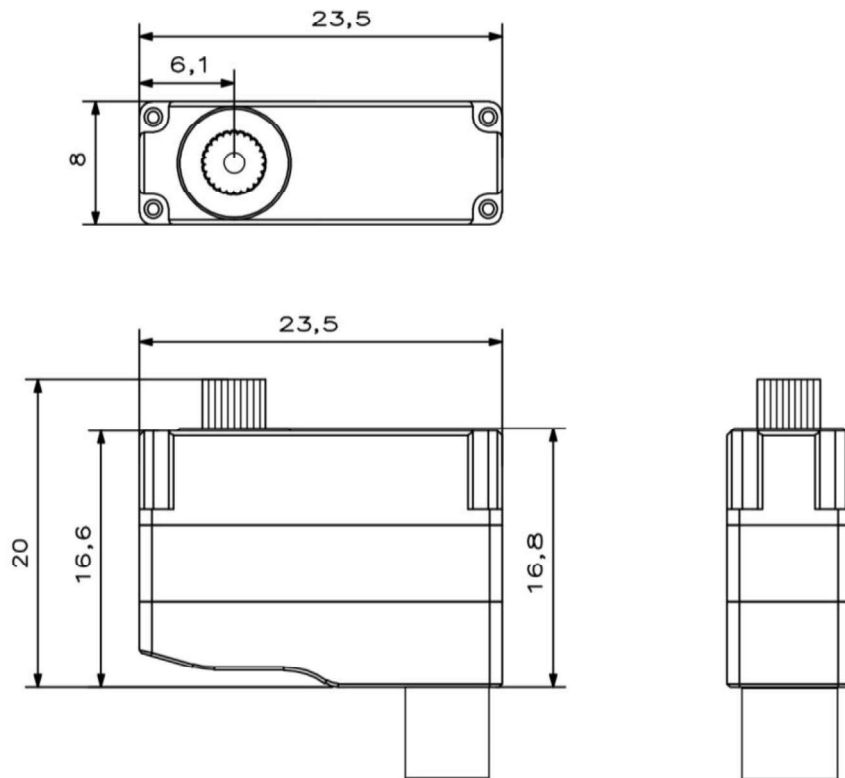
V6.0 with Soft Start

Technical Specification

X08H V6.0



X08N V6.0

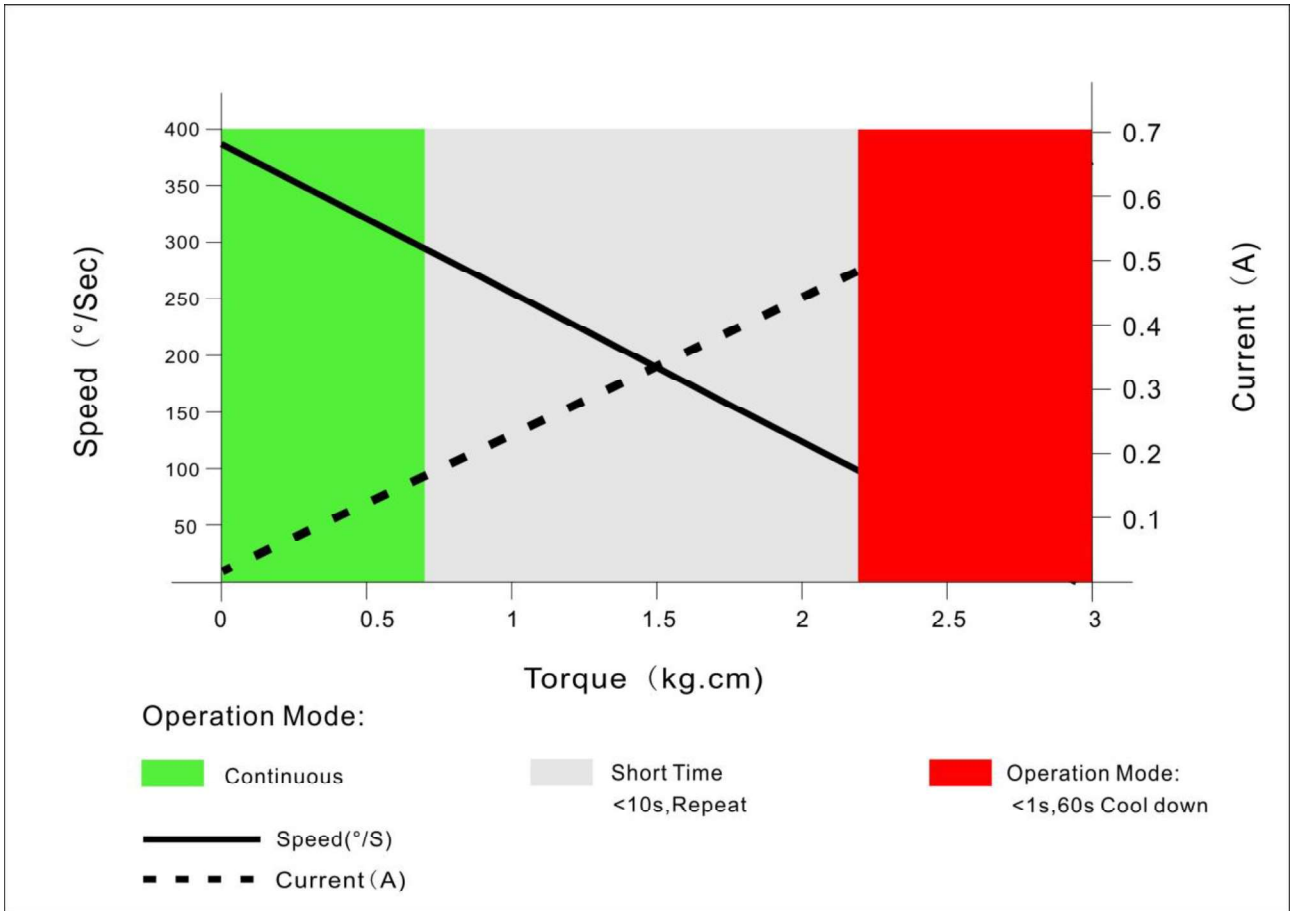


Operating Data

	X08H/ X08N V6.0
Operation Voltage(rated)	DC6.0V
Operation Voltage Range	DC3.8V-8.4V
Torque	1.4Kg.cm@3.8V
	2.2Kg.cm@6.0V
	2.8Kg.cm@8.4V
Speed	0.18sec/60°@3.8V
	0.15sec/60°@6.0V
	0.09sec/60°@8.4V
Travel Angle	±60° when 1000-2000us
Operating Temperature Range	-10 °C+65°C

Performance

X08H / X08N @6.0V



PWM Command Signal

PWM	X08H/ X08N V6.0
Signal Voltage	TTL-Level: HIGH:min.3.3V,max.5.0V TTL-Level: Low:min.0.0V,max.1.5V
Pulse Lengths	1000-2000us
Pulse Lengths for Position -60° /center/ $+60^{\circ}$	1000us/1500us/2000us
Resolution	<2us

Materials and protective features

Case Material	Aluminum Alloy
Salt Water Resistance	
EMI/RFI Shielding	Shielding
Motor Type	Coreless
Gear Set Material	Aluminum
Position Sensor	Potentionmeter
Position Feedback	Optional
Shielded Connecting Cable	28AWG

Dimensions

Case Dimensions	23.5*8*16.8mm
Weight	8g