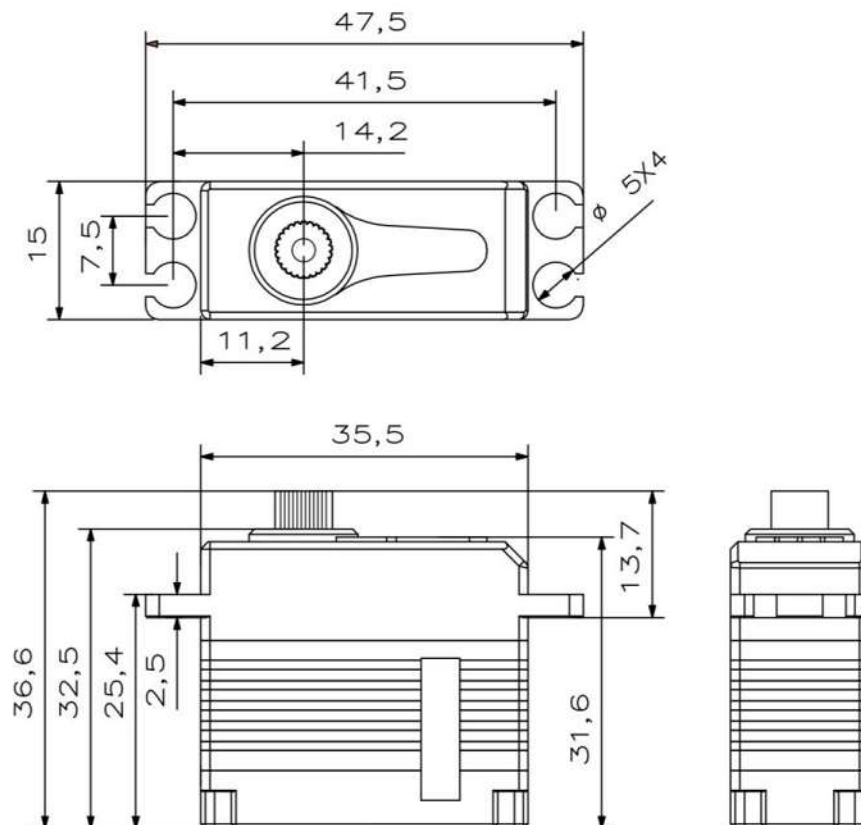


# X15-755X

## Technical Specification



Content is subject to change without notice 2021/03

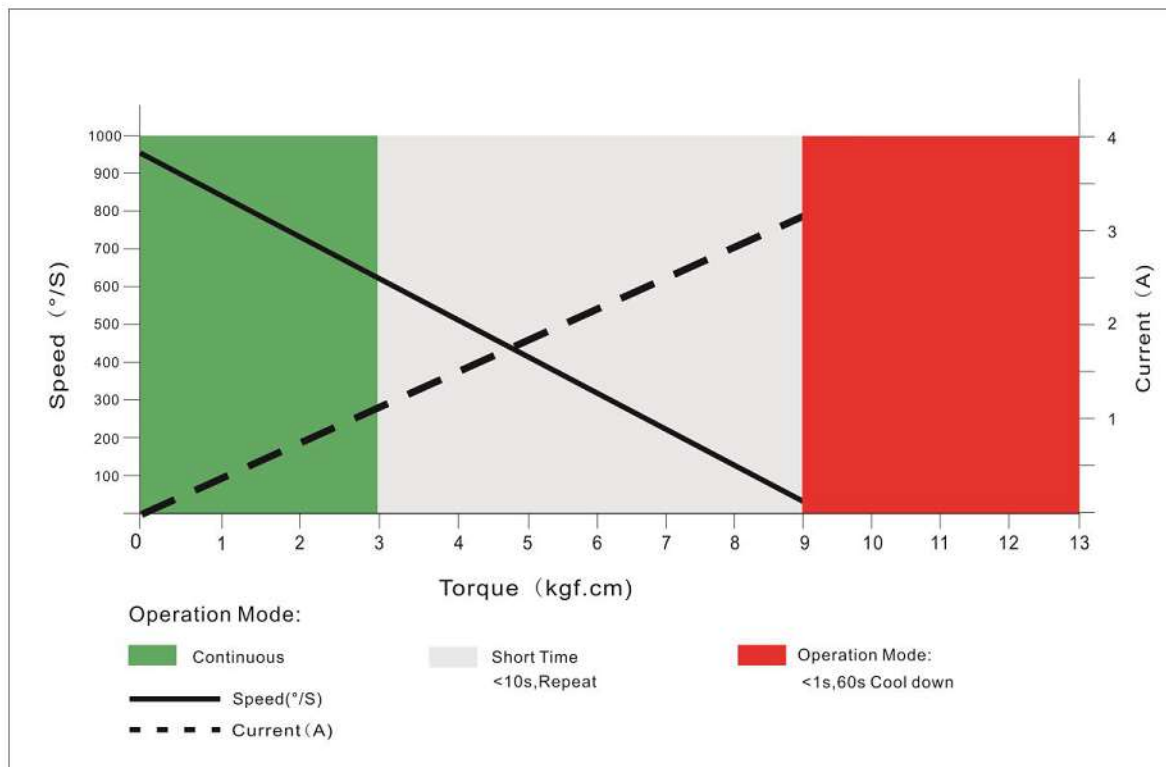
## Operating Data

|                                    | <b>X15-755X</b>  |
|------------------------------------|------------------|
| <b>Operation Voltage(rated)</b>    | DC7.4V           |
| <b>Operation Voltage Range</b>     | DC6.0V-8.4V      |
| <b>Stalling Torque</b>             | 7.2Kg.cm@6.0V    |
|                                    | 9.0Kg.cm@7.4V    |
|                                    | 10.2Kg.cm@8.4V   |
| <b>Speed</b>                       | 0.06sec/60°@6.0V |
|                                    | 0.05sec/60°@7.4V |
|                                    | 0.04sec/60°@8.4V |
| <b>Operating Temperature Range</b> | -10°C .....+65°C |

## Performance

**X15-755X**

**@7.4V**



## PWM Command Signal

| PWM               | X15-755X                |
|-------------------|-------------------------|
| Pulse Lengths     | 450-1050us              |
| Working Frequency | Narrow Band 760us/560Hz |
| Resolution        | <=2us                   |

### Materials and protective features

|                   |                |
|-------------------|----------------|
| Case Material     | Aluminum Alloy |
| Motor Type        | Coreless       |
| Gear Set Material | Hardened Steel |
| Position Sensor   | Potentiometer  |
| Connecting Cable  | 26AWG          |

### Dimensions

|                 |                |
|-----------------|----------------|
| Case Dimensions | 35.5*15*32.5mm |
| Weight          | 40g            |