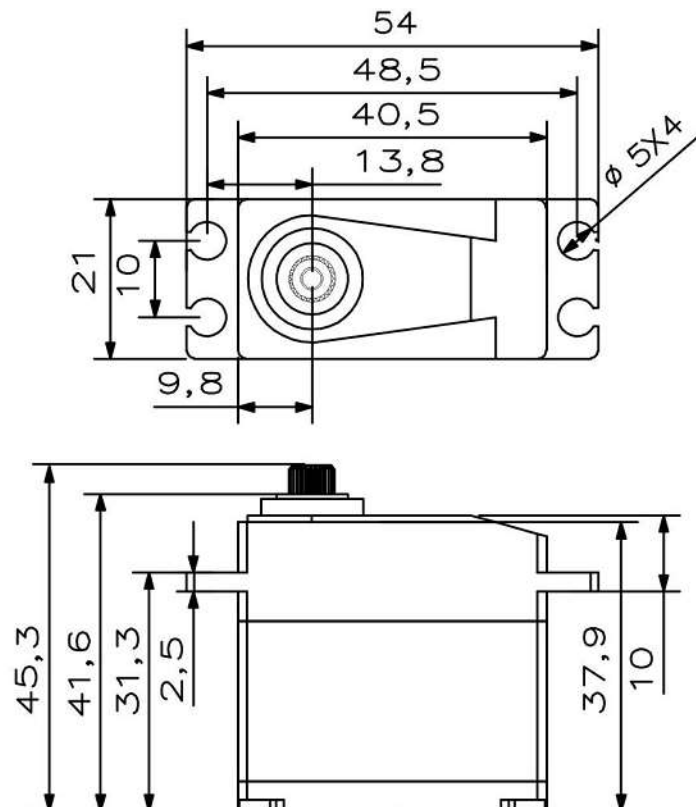


# BLS359WP

## Technical Specification



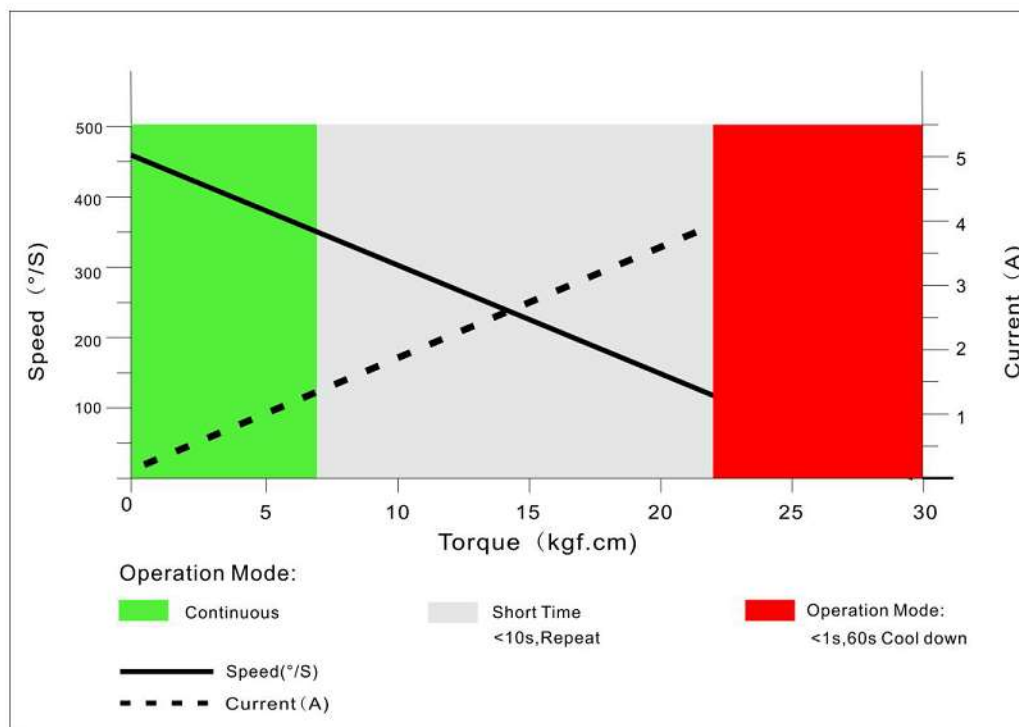
## Operating Data

	<b>BLS359WP</b>
<b>Operation Voltage(rated)</b>	DC7.4V
<b>Operation Voltage Range</b>	DC6.0-8.4V
<b>Stallig Torque</b>	18kg.cm@6.0V
	22Kg.cm@7.4V
	28kg.cm@8.4V
<b>Speed</b>	0.15sec/60°@6.0V
	0.13sec/60°@7.4V
	0.11sec/60°@8.4V
<b>Travel Angle</b>	± 50° when 1000-2000us
<b>Operating Temperature Range</b>	-20℃……+65℃

## Performance

**BLS359WP**

**@7.4V**



## PWM Command Signal

PWM	BLS359WP
Signal Voltage	TTL-Level: HIGH:min.3.3V,max.5.0V TTL-Level: Low:min.0.0V,max.0.5V
Pulse Lengths	900-2100us
Pulse Lengths for Position -50° /center/+50°	1000us/1500us/2000us
Resolution	<=2us

### Materials and protective features

Case Material	Aluminum Alloy
Salt Water Resistance	IP67
Motor Type	Brushless
Gear Set Material	Hardened Steel
Position Sensor	Potentiometer
Connecting Cable	22AWG

### Dimensions

Case Dimensions	40.5*21*41.6mm
Weight	84g