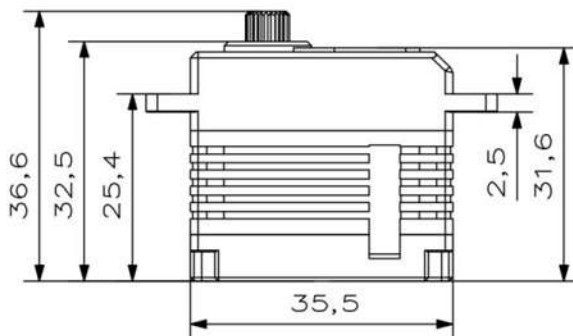
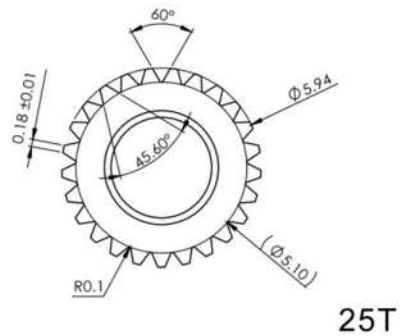
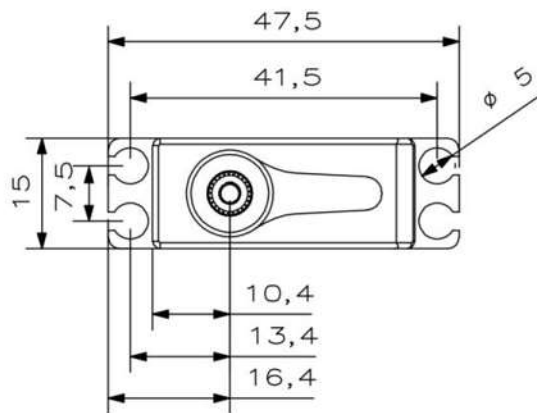


A15-1810 V8.0

Technical Specification



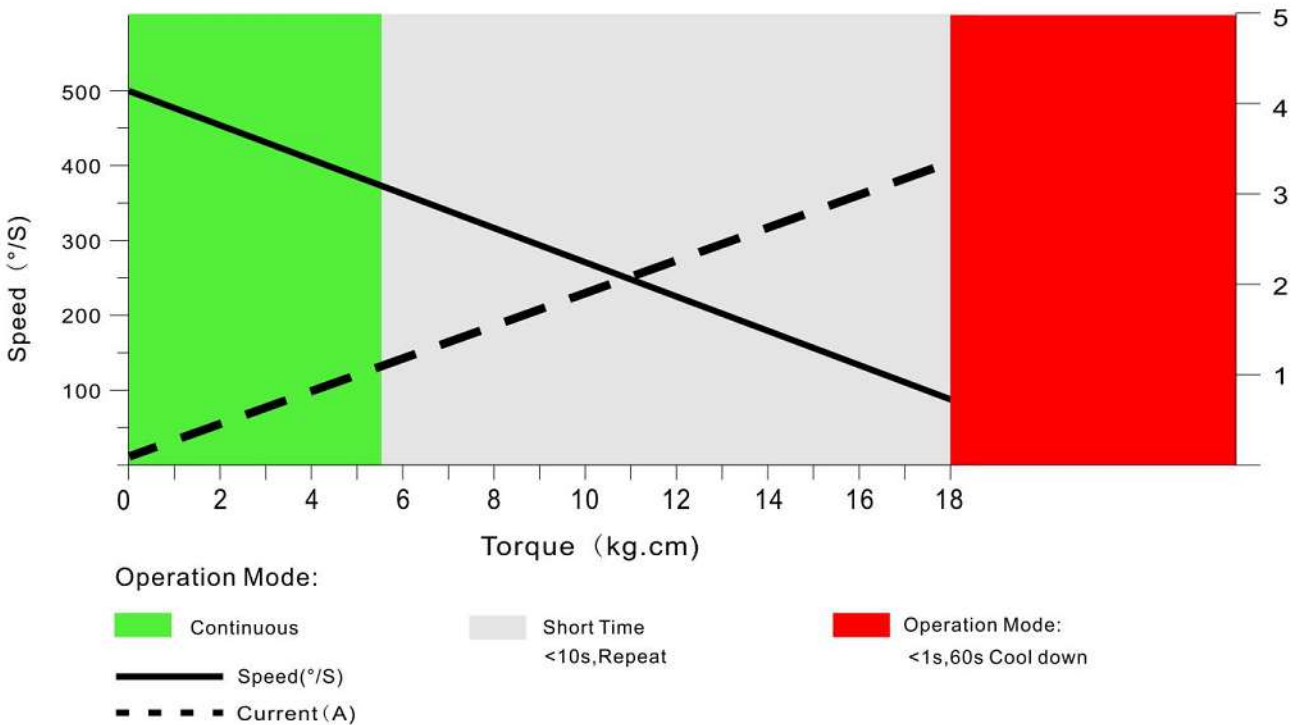
Operating Data

	A15-1810
Operation Voltage(rated)	DC7.4V
Operation Voltage Range	DC6.0V-8.4V
Stalling Torque	15Kg.cm@6.0V
	18Kg.cm@7.4V
	20Kg.cm@8.4V
Speed	0.14sec/60°@6.0V
	0.12sec/60°@7.4V
	0.10sec/60°@8.4V
Travel Angle	±50° when 1000-2000us
Operating Temperature Range	-10°C……+65°C

Performance

A15-1810

@7.4V



Content is subject to change without notice 2021/04

PWM Command Signal

PWM	A15-1810
Signal Voltage	TTL-Level: HIGH:min.3.3V,max.5.0V TTL-Level: Low:min.0.0V,max.1.5V
Pulse Lengths	900-2100us
Pulse Lengths for Position -50° /center/+50°	1000us/1500us/2000us
Resolution	<=2us

Materials and protective features

Case Material	Aluminum Alloy
Motor Type	Coreless
Gear Material	Hardened Steel
Position Sensor	Potentiometer
Position Feedback	Optional (PWM signal ,305Hz,5mA)
Connecting Cable	26AWG

Dimensions

Case Dimensions	35.5*15*32.5mm
Weight	42g