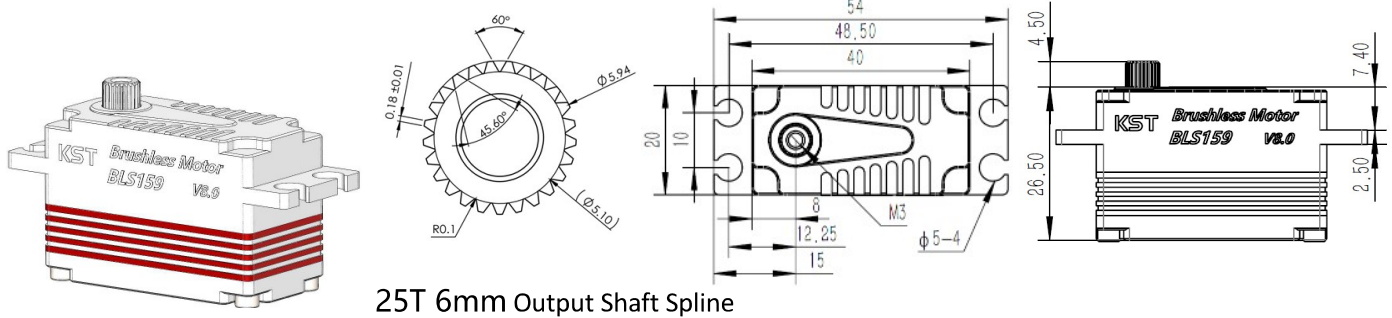


BLS159 V8.0 Technical Specification

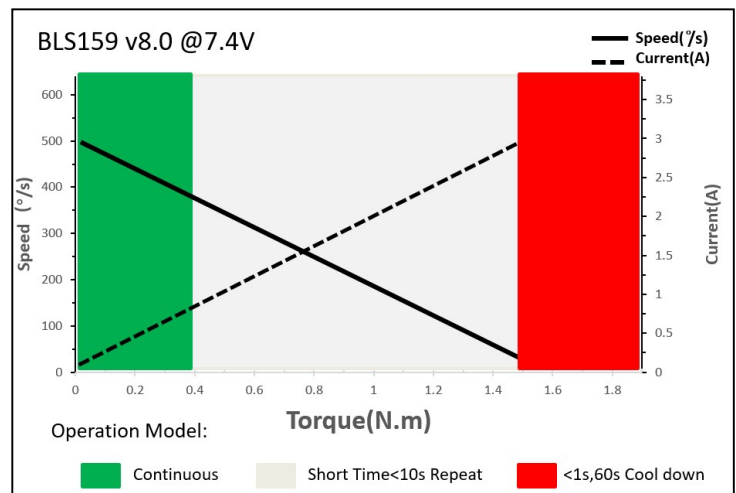


25T 6mm Output Shaft Spline

1. Operating Data

	BLS159 V8.0
Rated Voltage	DC7.4V
Voltage Range	DC6.0V-8.4V
Stalling Torque	1.5N.m@7.4V
Rated Torque	0.4N.m@7.4V
Stalling Current	3.85A
Rated Current	0.65A
No-load Speed	0.11sec/60°@7.4V
Rated Speed	0.15sec/60°@7.4V
Working Frequency	1520us/333Hz
Default Travel Angle	±50°=100° Total
Temperature Range	-20°C+65°C
Case Material	Aluminum Alloy
Motor Type	Brushless DC Motor
Gear Set Material	Hardened Steel
Position Sensor	Potentiometer
Case Dimensions	40mm*20mm*26.5mm±0.2mm
Weight	55g±10%

2. Performance



3. Command signal PWM Command Interface

Signal Voltage	HIGH: min.3.3V, max.5.0V Low: min.0.0V, max.1.5V
Pulse Lengths	900us-2100us
Pulse Lengths for Position	1000us/1500us/2000us -50°/ 0°/+50°

4. Electrical Connection

	Pin Assignment			
	1	Orange	Signal	PWM Command
	2	Red	DC+	Supply Voltage
	3	Brown	DC-	Supply Ground