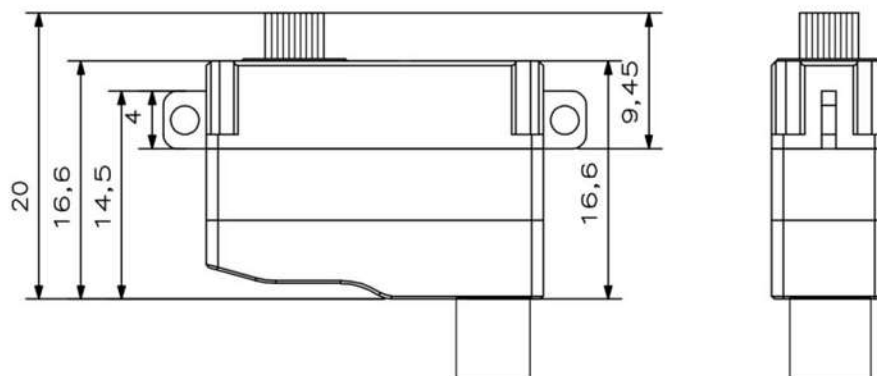
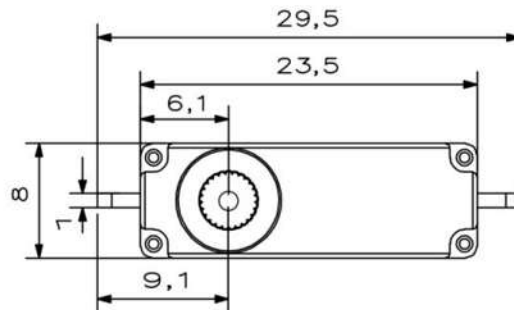


# X08H / X08N

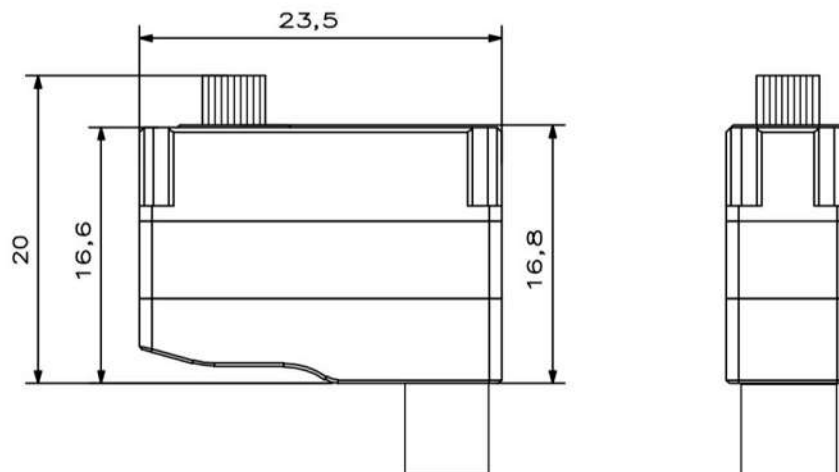
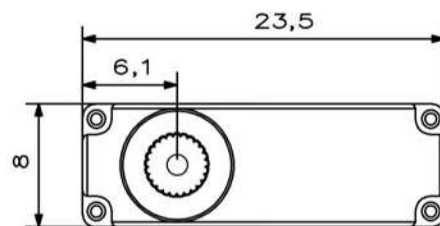
## V6.0 with Soft Start

### Technical Specification

#### X08H V6.0



## X08N V6.0

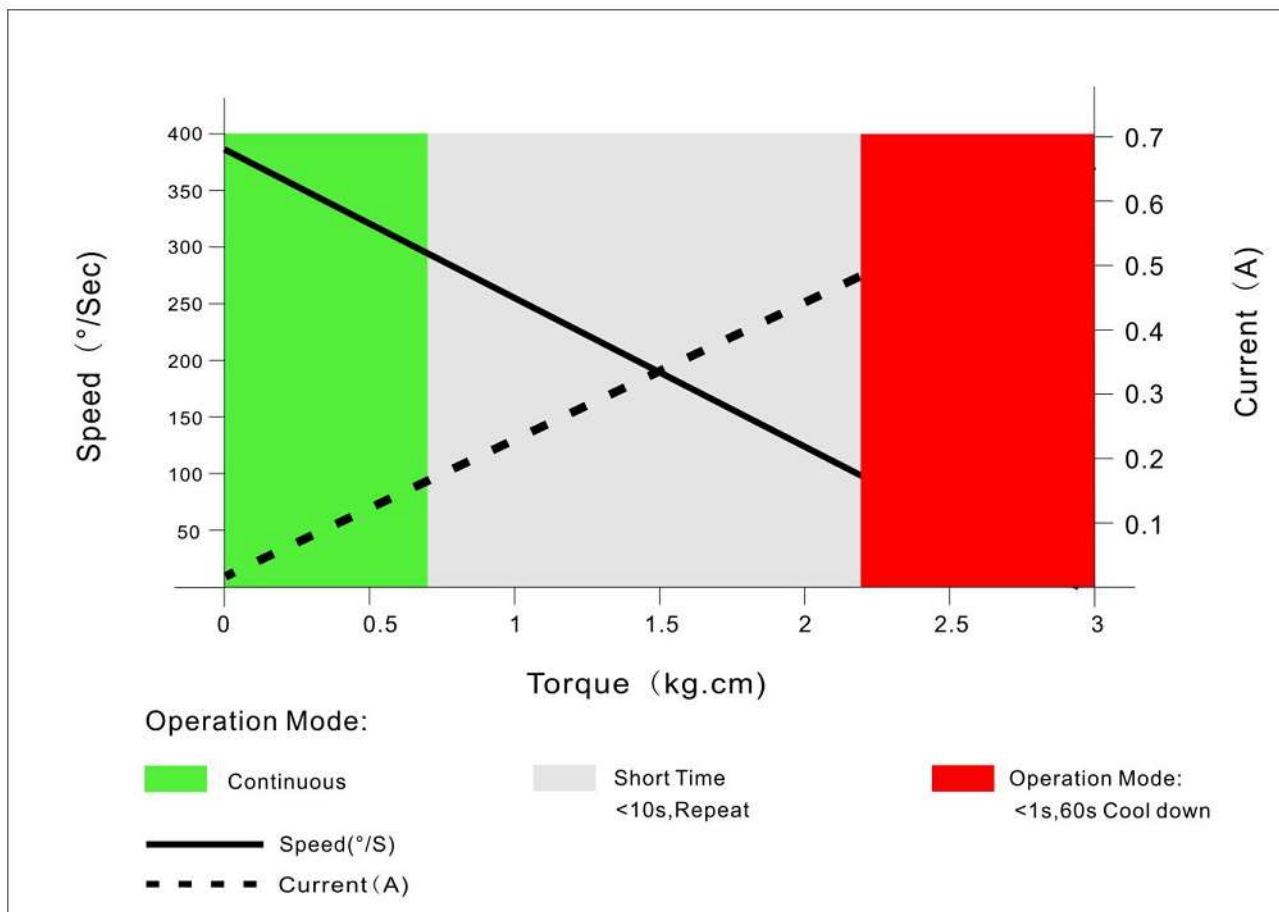


## Operating Data

	<b>X08H/ X08N V6.0</b>
<b>Operation Voltage(rated)</b>	DC6.0V
<b>Operation Voltage Range</b>	DC3.8V-8.4V
<b>Stalling Torque</b>	1.4Kg.cm@3.8V
	2.2Kg.cm@6.0V
	2.8Kg.cm@8.4V
<b>Speed</b>	0.18sec/60°@3.8V
	0.15sec/60°@6.0V
	0.09sec/60°@8.4V
<b>Travel Angle</b>	±60° when 1000-2000us
<b>Operating Temperature Range</b>	-5°C .....+65°C

# Performance

**X08H / X08N @6.0 V**



## PWM Command Signal

PWM	X08H/ X08N V6.0
Signal Voltage	TTL-Level: HIGH:min.3.3V,max.5.0V TTL-Level: Low:min.0.0V,max.1.5V
Pulse Lengths	1000-2000us
Pulse Lengths for Position -60° /center/+60°	1000us/1500us/2000us
Resolution	<2us

### Materials and protective features

Case Material	Aluminum Alloy
Salt Water Resistance	
EMI/RFI Shielding	Shielding
Motor Type	Coreless
Gear Set Material	Aluminum
Position Sensor	Potentionmeter
Position Feedback	Optional
Shielded Connecting Cable	28AWG

### Dimensions

Case Dimensions	23.5*8*16.8mm
Weight	8g