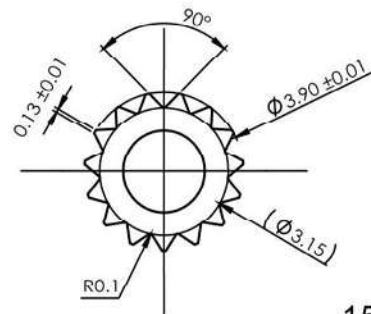
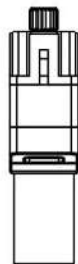
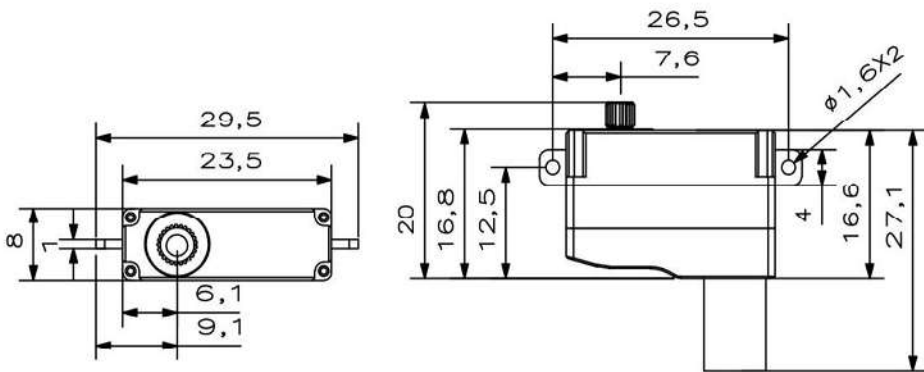


# X08H Plus/X08 Plus

## X08N Plus

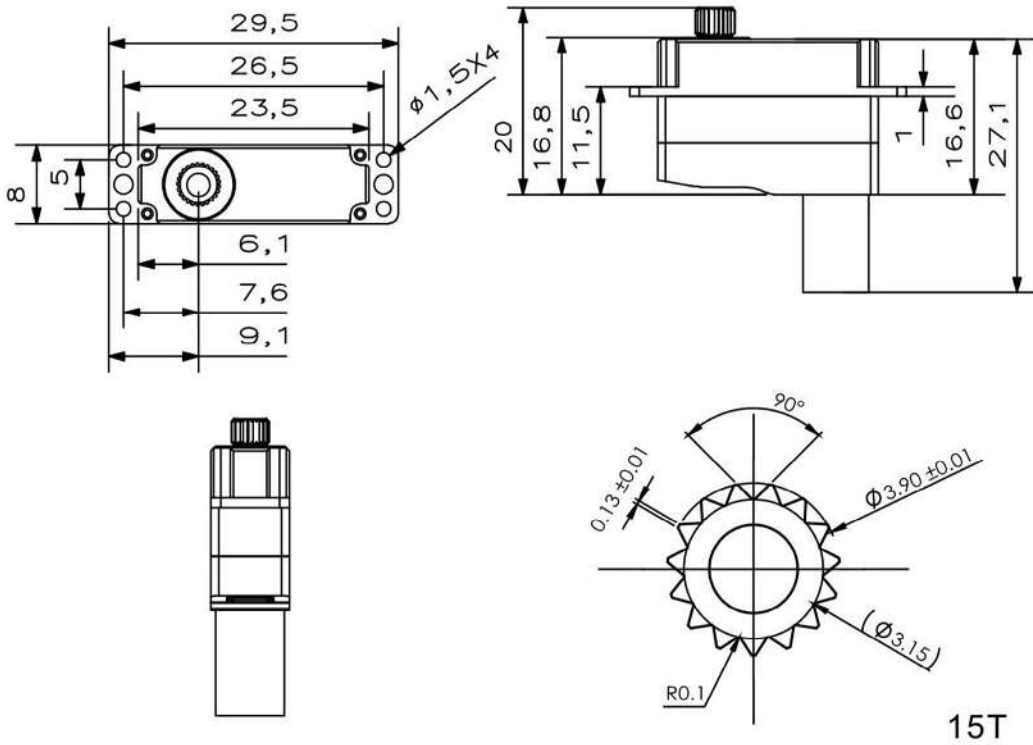
### Technical Specification

X08H Plus V2.0

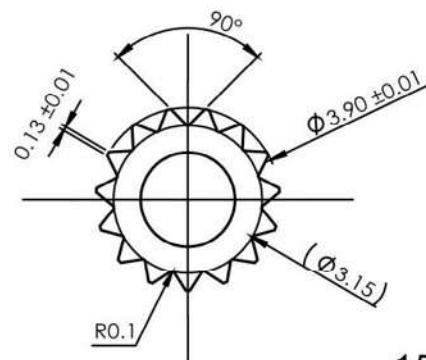
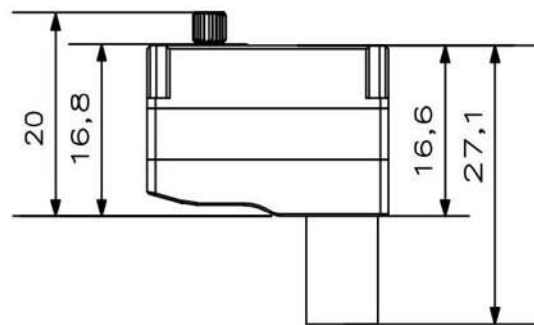
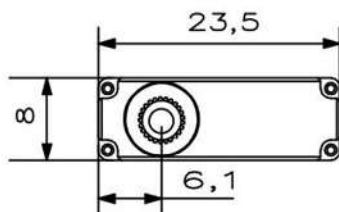


15T

## X08 Plus V2.0



## X08N Plus



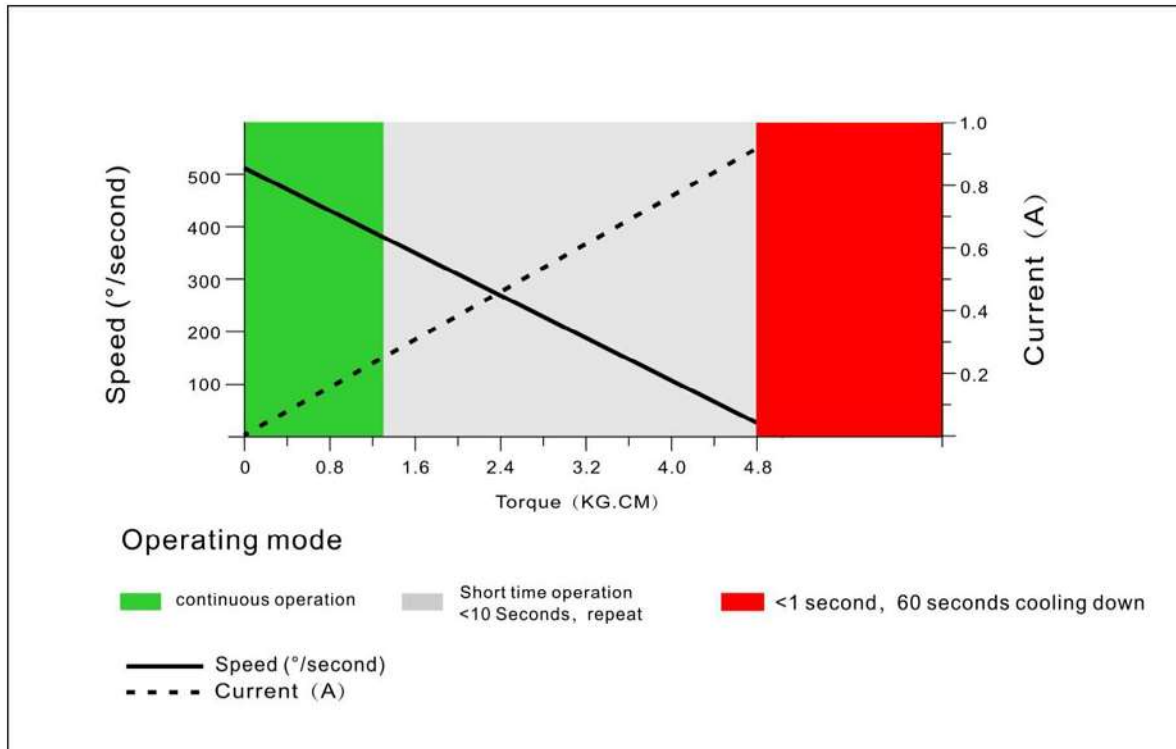
15T

## Operating Data

	<b>X08H Plus/X08 Plus/X08N Plus</b>
<b>Operation Voltage(rated)</b>	DC7.4V
<b>Operation Voltage Range</b>	DC3.8V-8.4V
<b>Torque</b>	2.4Kg.cm@3.8V
	3.85Kg.cm@6.0V
	4.84Kg.cm@7.4V
	5.30kg.cm@8.4V
<b>Speed</b>	0.18sec/60°@3.8V
	0.15sec/60°@6.0V
	0.12sec/60°@7.4V
	0.09sec/60°@8.4V
<b>Travel Angle</b>	±60° when 1000-2000us
<b>Operating Temperature Range</b>	-10℃……+65℃

## Performance

### X08H Plus/ X08 Plus / X08N Plus@7.4V



## PWM Command Signal

PWM	X08H Plus/X08 Plus/X08N Plus
Signal Voltage	TTL-Level: HIGH:min 3.3V,max 5.0V TTL-Level: Low:min 0.0V,max 1.5V
Pulse Lengths	1000-2000us
Pulse Lengths for Position -60° /center/+60°	1000us/1500us/2000us
Resolution	<=2us

### Materials and protective features

Case Material	Aluminum Alloy
Motor Type	Coreless
Gear Material	Hardened Steel
Position Sensor	Potentiometer
Connecting Cable	28AWG

### Dimensions

Case Dimensions	23.5*8*16.8mm
Weight	9g