



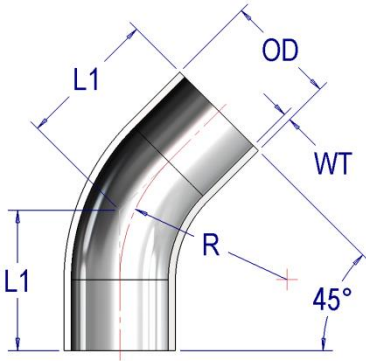
90° Bends Short, DIN 11865-A, Weld Ended, Metric Tube					
DN Size	Dimensions [mm]				Part Code
	OD	WT	L1	R	
10	13.0	1.5	26.0	26.0	90S.DNA.010
15	19.0	1.5	35.0	35.0	90S.DNA.015
20	23.0	1.5	40.0	40.0	90S.DNA.020
25	29.0	1.5	50.0	50.0	90S.DNA.025
32	35.0	1.5	55.0	55.0	90S.DNA.032
40	41.0	1.5	60.0	60.0	90S.DNA.040
50	53.0	1.5	70.0	70.0	90S.DNA.050
65	70.0	2.0	80.0	80.0	90S.DNA.065
80	85.0	2.0	90.0	90.0	90S.DNA.080
100	104.0	2.0	100.0	100.0	90S.DNA.100
125	129.0	2.0	187.5	187.5	90S.DNA.125
150	154.0	2.0	225.0	225.0	90S.DNA.150
200	204.0	2.0	300.0	300.0	90S.DNA.200

90° Bends Long, DIN 11865-A, Weld Ended, Metric Tube					
DN Size	Dimensions [mm]				Part Code
	OD	WT	L1	R	
6	8.0	1.0	45.0	20.0	90L.DNA.006
8	10.0	1.0	50.0	25.0	90L.DNA.008
10	13.0	1.5	51.0	26.0	90L.DNA.010
15	19.0	1.5	60.0	35.0	90L.DNA.015
20	23.0	1.5	65.0	40.0	90L.DNA.020
25	29.0	1.5	90.0	50.0	90L.DNA.025
32	35.0	1.5	95.0	55.0	90L.DNA.032
40	41.0	1.5	100.0	60.0	90L.DNA.040
50	53.0	1.5	110.0	70.0	90L.DNA.050
65	70.0	2.0	120.0	80.0	90L.DNA.065
80	85.0	2.0	145.0	90.0	90L.DNA.080
100	104.0	2.0	155.0	100.0	90L.DNA.100
125	129.0	2.0	270.0	187.5	90L.DNA.125
150	154.0	2.0	325.0	225.0	90L.DNA.150
200	204.0	2.0	400.0	300.0	90L.DNA.200

Material Grade	OD Surface Finish	Add Code	Product Specification	
304L / 1.4307 Stainless Steel	Descaled	.4D	Certification Available	EN10204 3.1
316L / 1.4404 Stainless Steel	Descaled	.6D	Suits Tube Standard	DIN 11866 , DIN 11850 S2
304L / 1.4307 Stainless Steel	Dull Polished	.4P	Suits Clamp Fittings	DIN 32676-A
316L / 1.4404 Stainless Steel	Dull Polished	.6P	Replaces Standard	DIN 11852



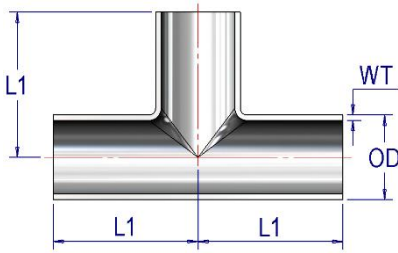
45° Bends Long, DIN 11865-A, Weld Ended, Metric Tube					
DN Size	Dimensions [mm]				Part Code
	OD	WT	L1	R	
6	8.0	1.0	33.3	20.0	45.DNA.006
8	10.0	1.0	35.4	25.0	45.DNA.008
10	13.0	1.5	35.8	26.0	45.DNA.010
15	19.0	1.5	39.5	35.0	45.DNA.015
20	23.0	1.5	41.6	40.0	45.DNA.020
25	29.0	1.5	60.7	50.0	45.DNA.025
32	35.0	1.5	62.8	55.0	45.DNA.032
40	41.0	1.5	64.9	60.0	45.DNA.040
50	53.0	1.5	69.0	70.0	45.DNA.050
65	70.0	2.0	73.1	80.0	45.DNA.065
80	85.0	2.0	92.3	90.0	45.DNA.080
100	104.0	2.0	96.4	100.0	45.DNA.100
125	129.0	2.0	160.2	187.5	45.DNA.125
150	154.0	2.0	193.2	225.0	45.DNA.150
200	204.0	2.0	224.3	300.0	45.DNA.200



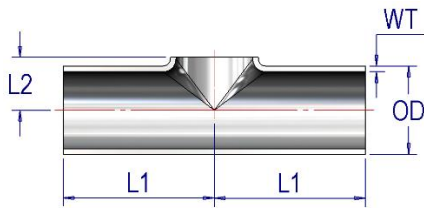
Material Grade	OD Surface Finish	Add Code	Product Specification	
304L / 1.4307 Stainless Steel	Descaled	.4D	Certification Available	EN10204 3.1
316L / 1.4404 Stainless Steel	Descaled	.6D	Suits Tube Standard	DIN 11866 , DIN 11850 S2
304L / 1.4307 Stainless Steel	Dull Polished	.4P	Suits Clamp Fittings	DIN 32676-A
316L / 1.4404 Stainless Steel	Dull Polished	.6P	Replaces Standard	DIN 11852



Equal Tee, DIN 11865-A, Weld Ended, Metric Tube					
DN Size	Dimensions [mm]				Part Code
	OD	WT	L1		
6	8.0	1.0	30.0		TE.DNA.006
8	10.0	1.0	30.0		TE.DNA.008
10	13.0	1.5	35.0		TE.DNA.010
15	19.0	1.5	35.0		TE.DNA.015
20	23.0	1.5	40.0		TE.DNA.020
25	29.0	1.5	50.0		TE.DNA.025
32	35.0	1.5	55.0		TE.DNA.032
40	41.0	1.5	60.0		TE.DNA.040
50	53.0	1.5	70.0		TE.DNA.050
65	70.0	2.0	80.0		TE.DNA.065
80	85.0	2.0	90.0		TE.DNA.080
100	104.0	2.0	100.0		TE.DNA.100
125	129.0	2.0	187.5		TE.DNA.125
150	154.0	2.0	225.0		TE.DNA.150
200	204.0	2.0	300.0		TE.DNA.200



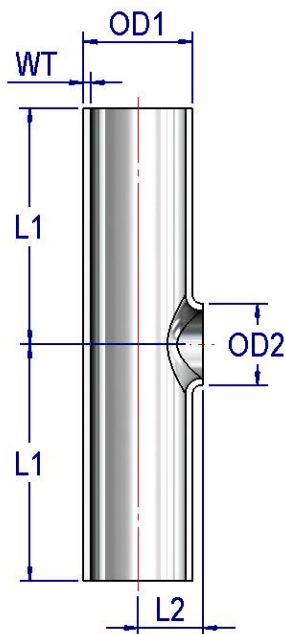
Pulled Tee, DIN 11865-A, Weld Ended, Metric Tube					
DN Size	Dimensions [mm]				Part Code
	OD	WT	L1	L2	
15	19.0	1.5	35.0	11.0	TP.DNA.015
20	23.0	1.5	40.0	13.0	TP.DNA.020
25	29.0	1.5	50.0	16.0	TP.DNA.025
32	35.0	1.5	55.0	19.5	TP.DNA.032
40	41.0	1.5	60.0	23.0	TP.DNA.040
50	53.0	1.5	70.0	30.0	TP.DNA.050
65	70.0	2.0	80.0	40.0	TP.DNA.065
80	85.0	2.0	90.0	47.5	TP.DNA.080
100	104.0	2.0	100.0	58.5	TP.DNA.100
125	129.0	2.0	187.5	74.0	TP.DNA.125
150	154.0	2.0	225.0	90.0	TP.DNA.150
200	204.0	2.0	300.0	115.0	TP.DNA.200



Material Grade	OD Surface Finish	Add Code	Product Specification	
304L / 1.4307 Stainless Steel	Descaled	.4D	Certification Available	EN10204 3.1
316L / 1.4404 Stainless Steel	Descaled	.6D	Suits Tube Standard	DIN 11866 , DIN 11850 S2
304L / 1.4307 Stainless Steel	Dull Polished	.4P	Suits Clamp Fittings	DIN 32676-A
316L / 1.4404 Stainless Steel	Dull Polished	.6P	Replaces Standard	DIN 11852



Pulled Reducing Tee, DIN 11865-A, Weld Ended, Metric Tube

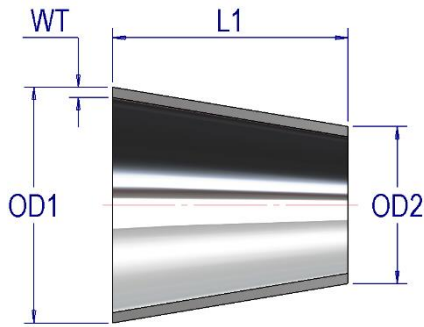


DN Size x Size	Dimensions [mm]				Part Code
	OD1	OD2	L1	L2	
015 x 008	19.0	10.0	35.0	11.0	TR.DNA.015.008
015 x 010	19.0	13.0	35.0	11.0	TR.DNA.015.010
020 x 010	23.0	13.0	40.0	13.0	TR.DNA.020.010
020 x 015	23.0	19.0	40.0	13.0	TR.DNA.020.015
025 x 015	29.0	19.0	50.0	16.0	TR.DNA.025.015
025 x 020	29.0	23.0	50.0	16.0	TR.DNA.025.020
032 x 015	35.0	19.0	55.0	19.0	TR.DNA.032.015
032 x 020	35.0	23.0	55.0	19.0	TR.DNA.032.020
032 x 025	35.0	29.0	55.0	19.0	TR.DNA.032.025
040 x 020	41.0	23.0	60.0	22.0	TR.DNA.040.020
040 x 025	41.0	29.0	60.0	22.0	TR.DNA.040.025
040 x 032	41.0	35.0	60.0	22.5	TR.DNA.040.032
050 x 025	53.0	29.0	80.0	28.0	TR.DNA.050.025
050 x 032	53.0	35.0	80.0	28.5	TR.DNA.050.032
050 x 040	53.0	41.0	80.0	29.0	TR.DNA.050.040
065 x 032	70.0	35.0	105.0	37.0	TR.DNA.065.032
065 x 040	70.0	41.0	105.0	37.5	TR.DNA.065.040
065 x 050	70.0	53.0	105.0	38.5	TR.DNA.065.050
080 x 040	85.0	41.0	130.0	45.0	TR.DNA.080.040
080 x 050	85.0	53.0	130.0	46.0	TR.DNA.080.050
080 x 065	85.0	70.0	130.0	47.0	TR.DNA.080.065
100 x 050	104.0	53.0	155.0	55.5	TR.DNA.100.050
100 x 065	104.0	70.0	155.0	57.0	TR.DNA.100.065
100 x 080	104.0	85.0	155.0	57.0	TR.DNA.100.080
125 x 065	129.0	70.0	187.5	69.5	TR.DNA.125.065
125 x 080	129.0	85.0	187.5	69.5	TR.DNA.125.080
125 x 100	129.0	104.0	187.5	70.5	TR.DNA.125.100
150 x 080	154.0	85.0	225.0	99.0	TR.DNA.150.080
150 x 100	154.0	104.0	225.0	100.0	TR.DNA.150.100
150 x 125	154.0	129.0	225.0	103.0	TR.DNA.150.125
200 x 100	204.0	104.0	300.0	108.0	TR.DNA.200.100
200 x 125	204.0	129.0	300.0	115.0	TR.DNA.200.125
200 x 150	204.0	154.0	300.0	115.0	TR.DNA.200.150

Material Grade	OD Surface Finish	Add Code	Product Specification	
304L / 1.4307 Stainless Steel	Descaled	.4D	Certification Available	EN10204 3.1
316L / 1.4404 Stainless Steel	Descaled	.6D	Suits Tube Standard	DIN 11866 , DIN 11850 S2
304L / 1.4307 Stainless Steel	Dull Polished	.4P	Suits Clamp Fittings	DIN 32676-A
316L / 1.4404 Stainless Steel	Dull Polished	.6P	Replaces Standard	DIN 11852



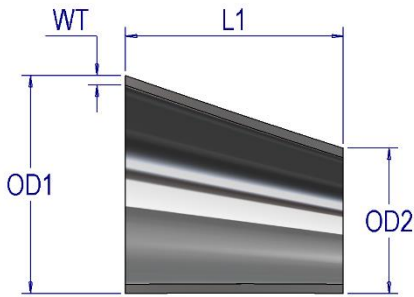
Concentric Reducers Short, DIN 11865-A, Weld Ended, Metric Tube



Size DN x DN	Dimensions [mm]				Part Code
	OD1	OD2	WT	L1	
015 x 010	19.1	13.0	1.5	11.0	RC.DNO.015.010
020 x 010	23.0	13.0	1.5	18.0	RC.DNO.020.010
020 x 015	23.0	19.0	1.5	7.0	RC.DNO.020.015
025 x 010	29.0	13.0	1.5	28.0	RC.DNO.025.010
025 x 015	29.0	19.0	1.5	18.0	RC.DNO.025.015
025 x 020	29.0	23.0	1.5	11.0	RC.DNO.025.020
032 x 015	35.0	19.0	1.5	30.0	RC.DNO.032.015
032 x 020	35.0	23.0	1.5	22.0	RC.DNO.032.020
032 x 025	35.0	29.0	1.5	11.0	RC.DNO.032.025
040 x 015	41.0	19.0	1.5	41.0	RC.DNO.040.015
040 x 020	41.0	23.0	1.5	33.0	RC.DNO.040.020
040 x 025	41.0	29.0	1.5	22.0	RC.DNO.040.025
040 x 032	41.0	35.0	1.5	11.0	RC.DNO.040.032
050 x 020	53.0	23.0	1.5	55.5	RC.DNO.050.020
050 x 025	53.0	29.0	1.5	44.0	RC.DNO.050.025
050 x 032	53.0	35.0	1.5	33.0	RC.DNO.050.032
050 x 040	53.0	41.0	1.5	22.0	RC.DNO.050.040
065 x 025	70.0	30.0	1.5	77.0	RC.DNO.065.025
065 x 032	70.0	36.0	2.0	63.5	RC.DNO.065.032
065 x 040	70.0	42.0	2.0	51.0	RC.DNO.065.040
065 x 050	70.0	54.0	2.0	29.0	RC.DNO.065.050
080 x 032	85.0	36.0	2.0	91.5	RC.DNO.080.032
080 x 040	85.0	42.0	2.0	80.2	RC.DNO.080.040
080 x 050	85.0	54.0	2.0	56.0	RC.DNO.080.050
080 x 065	85.0	70.0	2.0	27.0	RC.DNO.080.065
100 x 050	104.0	54.0	2.0	93.0	RC.DNO.100.050
100 x 065	104.0	70.0	2.0	61.0	RC.DNO.100.065
100 x 080	104.0	85.0	2.0	34.0	RC.DNO.100.080
125 x 065	129.0	70.0	2.0	110.0	RC.DNO.125.065
125 x 080	129.0	85.0	2.0	79.0	RC.DNO.125.080
125 x 100	129.0	104.0	2.0	45.0	RC.DNO.125.100
150 x 080	154.0	85.0	2.0	128.7	RC.DNO.150.080
150 x 100	154.0	104.0	2.0	90.0	RC.DNO.150.100
150 x 125	154.0	129.0	2.0	45.0	RC.DNO.150.125
200 x 100	204.0	104.0	2.0	180.0	RC.DNO.200.100
200 x 125	204.0	129.0	2.0	140.0	RC.DNO.200.125
200 x 150	204.0	154.0	2.0	90.0	RC.DNO.200.150



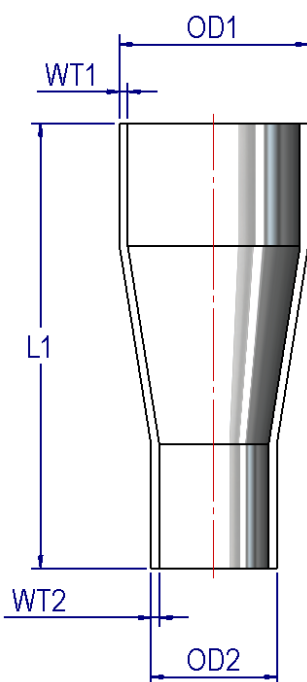
Eccentric Reducers Short, DIN 11865-A, Weld Ended, Metric Tube						
Size DN x DN	Dimensions [mm]				Part Code	
	OD1	OD2	WT	L1		
015 x 010	19.0	13.0	1.5	16.5	RC.DNO.015.010	
020 x 010	23.0	13.0	1.5	27.5	RC.DNO.020.010	
020 x 015	23.0	19.0	1.5	11.0	RC.DNO.020.015	
025 x 010	29.0	13.0	1.5	44.0	RC.DNO.025.010	
025 x 015	29.0	19.0	1.5	27.5	RC.DNO.025.015	
025 x 020	29.0	23.0	1.5	16.5	RC.DNO.025.020	
032 x 015	35.0	19.0	1.5	44.0	RC.DNO.032.015	
032 x 020	35.0	23.0	1.5	33.0	RC.DNO.032.020	
032 x 025	35.0	29.0	1.5	16.5	RC.DNO.032.025	
040 x 015	41.0	19.0	1.5	60.4	RC.DNO.040.015	
040 x 020	41.0	23.0	1.5	49.5	RC.DNO.040.020	
040 x 025	41.0	29.0	1.5	33.0	RC.DNO.040.025	
040 x 032	41.0	35.0	1.5	16.5	RC.DNO.040.032	
050 x 025	53.0	29.0	1.5	66.0	RC.DNO.050.025	
050 x 032	53.0	35.0	1.5	49.5	RC.DNO.050.032	
050 x 040	53.0	41.0	1.5	33.0	RC.DNO.050.040	
065 x 040	70.0	42.0	2.0	77.0	RC.DNO.065.040	
065 x 050	70.0	54.0	2.0	44.0	RC.DNO.065.050	
080 x 050	85.0	54.0	2.0	85.2	RC.DNO.080.050	
080 x 065	85.0	70.0	2.0	41.2	RC.DNO.080.065	
100 x 050	104.0	54.0	2.0	137.4	RC.DNO.100.050	
100 x 065	104.0	70.0	2.0	93.4	RC.DNO.100.065	
100 x 080	104.0	85.0	2.0	52.5	RC.DNO.100.080	
125 x 080	129.0	85.0	2.0	120.5	RC.DNO.125.080	
125 x 100	129.0	104.0	2.0	68.5	RC.DNO.125.100	
150 x 080	154.0	85.0	2.0	137.5	RC.DNO.150.080	
150 x 125	154.0	129.0	2.0	68.5	RC.DNO.150.125	
200 x 150	204.0	154.0	2.0	68.5	RC.DNO.200.150	



Material Grade	OD Surface Finish	Add Code	Product Specification	
304L / 1.4307 Stainless Steel	Descaled	.4D	Certification Available	EN10204 3.1
316L / 1.4404 Stainless Steel	Descaled	.6D	Suits Tube Standard	DIN 11866 , DIN 11850 S2
304L / 1.4307 Stainless Steel	Dull Polished	.4P	Suits Clamp Fittings	DIN 32676-A
316L / 1.4404 Stainless Steel	Dull Polished	.6P	Replaces Standard	DIN 11852



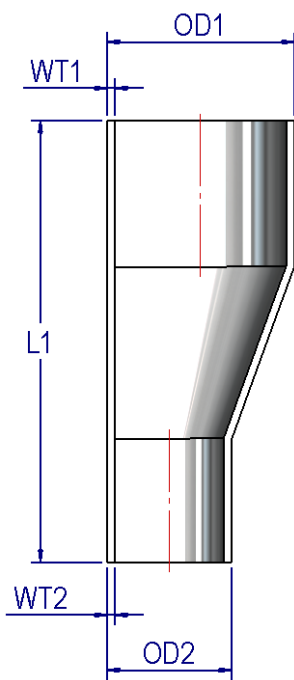
Concentric Reducers Long, DIN 11865-A, Weld Ended, Metric Tube						
Size DN x DN	Dimensions [mm]					Part Code
	OD1	WT1	OD2	WT2	L1	
008 x 006	10.0	1.0	8.0	1.0	38.0	RC.DNA.008.006
010 x 006	10.0	1.5	8.0	1.0	38.0	RC.DNA.010.006
010 x 008	10.0	1.5	10.0	1.0	38.0	RC.DNA.010.008
015 x 008	19.0	1.5	10.0	1.0	60.0	RC.DNA.015.008
015 x 010	19.0	1.5	13.0	1.5	60.0	RC.DNA.015.010
020 x 010	23.0	1.5	13.0	1.5	60.0	RC.DNA.020.010
020 x 015	23.0	1.5	19.0	1.5	60.0	RC.DNA.020.015
025 x 015	29.0	1.5	19.0	1.5	70.0	RC.DNA.025.015
025 x 020	29.0	1.5	23.0	1.5	70.0	RC.DNA.025.020
032 x 015	35.0	1.5	19.0	1.5	80.0	RC.DNA.032.015
032 x 020	35.0	1.5	23.0	1.5	80.0	RC.DNA.032.020
032 x 025	35.0	1.5	29.0	1.5	80.0	RC.DNA.032.025
040 x 020	41.0	1.5	23.0	1.5	90.0	RC.DNA.040.020
040 x 025	41.0	1.5	29.0	1.5	90.0	RC.DNA.040.025
040 x 032	41.0	1.5	35.0	1.5	90.0	RC.DNA.040.032
050 x 025	53.0	1.5	29.0	1.5	90.0	RC.DNA.050.025
050 x 032	53.0	1.5	35.0	1.5	90.0	RC.DNA.050.032
050 x 040	53.0	1.5	41.0	1.5	90.0	RC.DNA.050.040
065 x 040	70.0	2.0	41.0	1.5	110.0	RC.DNA.065.040
065 x 050	70.0	2.0	53.0	1.5	110.0	RC.DNA.065.050
080 x 050	85.0	2.0	53.0	1.5	110.0	RC.DNA.080.050
080 x 065	85.0	2.0	70.0	2.0	110.0	RC.DNA.080.065
100 x 065	104.0	2.0	70.0	2.0	135.0	RC.DNA.100.065
100 x 080	104.0	2.0	85.0	2.0	135.0	RC.DNA.100.080
125 x 080	129.0	2.0	85.0	2.0	150.0	RC.DNA.125.080
125 x 100	129.0	2.0	104.0	2.0	150.0	RC.DNA.125.100
150 x 100	154.0	2.0	104.0	2.0	170.0	RC.DNA.150.100
150 x 125	154.0	2.0	129.0	2.0	170.0	RC.DNA.150.125
200 x 125	204.0	2.0	129.0	2.0	230.0	RC.DNA.200.125
200 x 150	204.0	2.0	154.0	2.0	230.0	RC.DNA.200.150



Material Grade	OD Surface Finish	Add Code	Product Specification	
304L / 1.4307 Stainless Steel	Descaled	.4D	Certification Available	EN10204 3.1
316L / 1.4404 Stainless Steel	Descaled	.6D	Suits Tube Standard	DIN 11866 , DIN 11850 S2
304L / 1.4307 Stainless Steel	Dull Polished	.4P	Suits Clamp Fittings	DIN 32676-A
316L / 1.4404 Stainless Steel	Dull Polished	.6P		



Eccentric Reducers Long, DIN 11865-A, Weld Ended, Metric Tube						
Size DN x DN	Dimensions [mm]					Part Code
	OD1	WT1	OD2	WT2	L1	
008 x 006	10.0	1.0	8.0	1.0	38.0	RE.DNA.008.006
010 x 006	10.0	1.5	8.0	1.0	38.0	RE.DNA.010.006
010 x 008	10.0	1.5	10.0	1.0	38.0	RE.DNA.010.008
015 x 008	19.0	1.5	10.0	1.0	60.0	RE.DNA.015.008
015 x 010	19.0	1.5	13.0	1.5	60.0	RE.DNA.015.010
020 x 010	23.0	1.5	13.0	1.5	60.0	RE.DNA.020.010
020 x 015	23.0	1.5	19.0	1.5	60.0	RE.DNA.020.015
025 x 015	29.0	1.5	19.0	1.5	70.0	RE.DNA.025.015
025 x 020	29.0	1.5	23.0	1.5	70.0	RE.DNA.025.020
032 x 015	35.0	1.5	19.0	1.5	80.0	RE.DNA.032.015
032 x 020	35.0	1.5	23.0	1.5	80.0	RE.DNA.032.020
032 x 025	35.0	1.5	29.0	1.5	80.0	RE.DNA.032.025
040 x 020	41.0	1.5	23.0	1.5	90.0	RE.DNA.040.020
040 x 025	41.0	1.5	29.0	1.5	90.0	RE.DNA.040.025
040 x 032	41.0	1.5	35.0	1.5	90.0	RE.DNA.040.032
050 x 025	53.0	1.5	29.0	1.5	90.0	RE.DNA.050.025
050 x 032	53.0	1.5	35.0	1.5	90.0	RE.DNA.050.032
050 x 040	53.0	1.5	41.0	1.5	90.0	RE.DNA.050.040
065 x 040	70.0	2.0	41.0	1.5	110.0	RE.DNA.065.040
065 x 050	70.0	2.0	53.0	1.5	110.0	RE.DNA.065.050
080 x 050	85.0	2.0	53.0	1.5	110.0	RE.DNA.080.050
080 x 065	85.0	2.0	70.0	2.0	110.0	RE.DNA.080.065
100 x 065	104.0	2.0	70.0	2.0	135.0	RE.DNA.100.065
100 x 080	104.0	2.0	85.0	2.0	135.0	RE.DNA.100.080
125 x 080	129.0	2.0	85.0	2.0	150.0	RE.DNA.125.080
125 x 100	129.0	2.0	104.0	2.0	150.0	RE.DNA.125.100
150 x 100	154.0	2.0	104.0	2.0	170.0	RE.DNA.150.100
150 x 125	154.0	2.0	129.0	2.0	170.0	RE.DNA.150.125
200 x 125	204.0	2.0	129.0	2.0	230.0	RE.DNA.200.125
200 x 150	204.0	2.0	154.0	2.0	230.0	RE.DNA.200.150



Material Grade	OD Surface Finish	Add Code	Product Specification	
304L / 1.4307 Stainless Steel	Descaled	.4D	Certification Available	EN10204 3.1
316L / 1.4404 Stainless Steel	Descaled	.6D	Suits Tube Standard	DIN 11866 , DIN 11850 S2
304L / 1.4307 Stainless Steel	Dull Polished	.4P	Suits Clamp Fittings	DIN 32676-A
316L / 1.4404 Stainless Steel	Dull Polished	.6P		