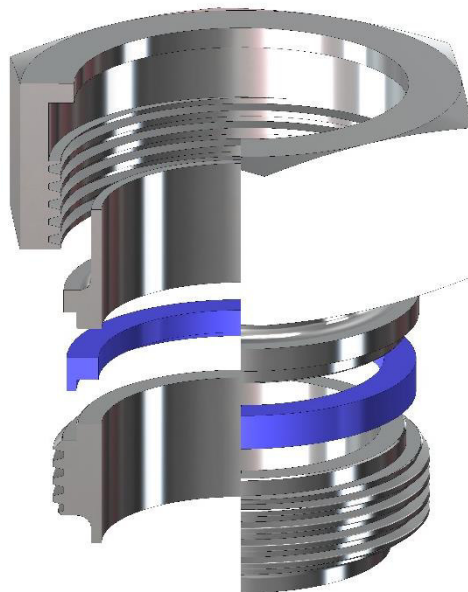


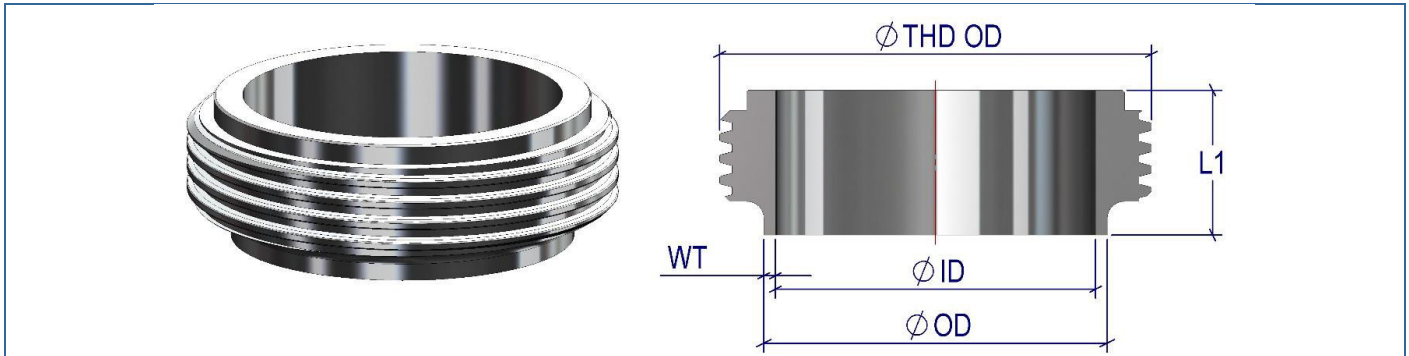


[www.PROCESS FITTINGS.COM](http://www.PROCESS FITTINGS.COM)  
Suppliers of Quality Stainless Steel Tubular Components  
[www.processfittings.com](http://www.processfittings.com) • [sales@processfittings.com](mailto:sales@processfittings.com)

# HYGIENIC UNIONS

## IDF, BS4825-4

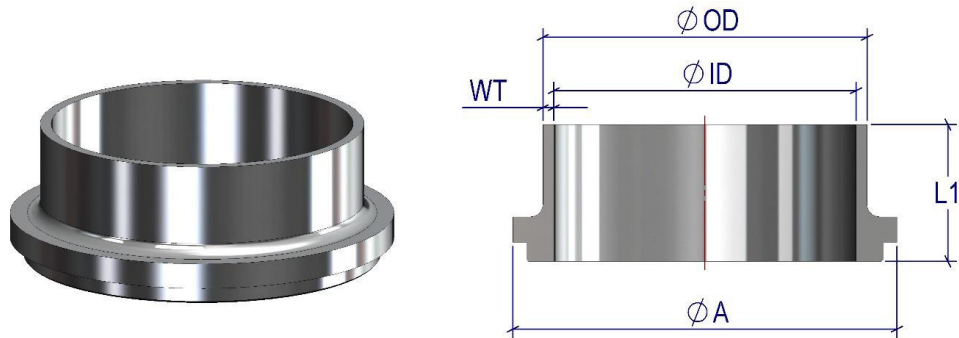




Hygienic Union, IDF, BS4825-4, Male

Size Inch	Dimensions [mm]					Part Code
	OD	ID	WT	THD OD	L1	
1.00"	25.40	22.10	1.65	37.1	21.5	IDF.M.100
1.50"	38.10	34.80	1.65	50.7	21.5	IDF.M.150
2.00"	50.80	47.50	1.65	64.2	21.5	IDF.M.200
2.50"	63.50	60.20	1.65	76.7	21.5	IDF.M.250
3.00"	76.20	72.90	1.65	91.2	21.5	IDF.M.300
4.00"	101.60	97.38	2.11	125.9	30.0	IDF.M.400

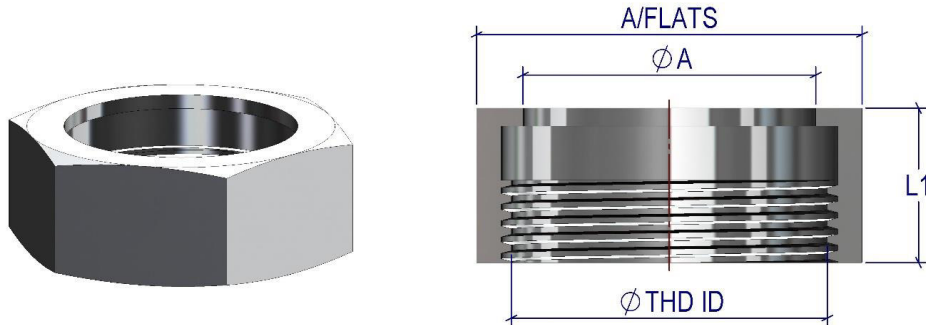
Material	Part	Add Code	Product Specifications
316L / 1.4404 Stainless Steel	IDF Male	.6	Certification Available EN10204 3.1
			Suits Tube Standard BS4825-1
			Suits Fittings BS4825-2



Hygienic Union, IDF, BS4825-4, Weld Liner

Size Inch	Dimensions [mm]					Part Code
	OD	ID	WT	A	L1	
1.00"	25.40	22.10	1.65	33.8	21.5	IDF.L.100
1.50"	38.10	34.80	1.65	47.0	21.5	IDF.L.150
2.00"	50.80	47.50	1.65	60.5	21.5	IDF.L.200
2.50"	63.50	60.20	1.65	74.0	21.5	IDF.L.250
3.00"	76.20	72.90	1.65	87.5	21.5	IDF.L.300
4.00"	101.60	97.38	2.11	120.6	30.0	IDF.L.400

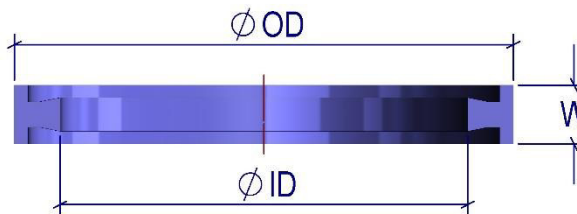
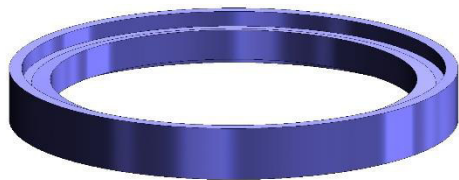
Material	Part	Add Code	Product Specifications	
316L / 1.4404 Stainless Steel	IDF Weld Liner	.6	Certification Available	EN10204 3.1
			Suits Tube Standard	BS4825-1
			Suits Fittings	BS4825-2



Hygienic Union, IDF, BS4825-4, Nut

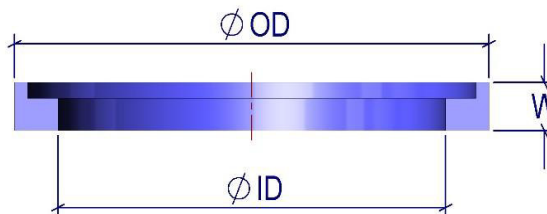
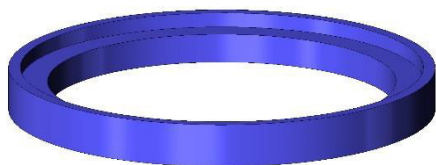
Size Inch	Dimensions [mm]					Part Code
	A/FLATS	THD ID	A	L1		
1.00"	46.0	34.4	30.5	30.0		IDF.N.100
1.50"	60.0	47.7	43.5	30.0		IDF.N.150
2.00"	75.0	61.4	57.0	30.0		IDF.N.200
2.50"	90.0	74.9	70.7	30.0		IDF.N.250
3.00"	105.0	88.4	83.3	30.0		IDF.N.300
4.00"	133.0	122.0	112.0	35.0		IDF.N.400

Material	Part	Add Code	Product Specifications	
316L / 1.4404 Stainless Steel	IDF Nut	.6	Certification Available	EN10204 3.1
304L / 1.4401 Stainless Steel	IDF Nut	.4	Suits Tube Standard	BS4825-1
			Suits Fittings	BS4825-2



**Hygienic Union, IDF, BS4825-4, Seal Type A**

Size Inch	Dimensions [mm]			Part Code
	OD	ID	W	
1.00"	32.5	23.2	7.0	IDF.SA.100
1.50"	46.0	35.9	7.0	IDF.SA.150
2.00"	59.5	48.6	7.0	IDF.SA.200
2.50"	73.2	61.3	7.0	IDF.SA.250
3.00"	86.5	74.0	7.0	IDF.SA.300
4.00"	119.0	98.6	9.6	IDF.SA.400



**Hygienic Union, IDF, BS4825-4, Seal Type B**

Size Inch	Dimensions [mm]			Part Code
	OD	ID	W	
1.00"	32.5	23.2	7.0	IDF.SB.100
1.50"	46.0	35.9	7.0	IDF.SB.150
2.00"	59.5	48.6	7.0	IDF.SB.200
2.50"	73.2	61.3	7.0	IDF.SB.250
3.00"	86.5	74.0	7.0	IDF.SB.300
4.00"	119.0	98.6	9.6	IDF.SB.400

Material	Part	Add Code	Product Specifications
EPDM	Seal	.E	Certification Available EN10204 3.1
BUNA-N (Nitrile)	Seal	.N	Suits Tube Standard BS4825-1
Silicone	Seal	.S	Suits Fittings BS4825-2
VITON	Seal	.V	