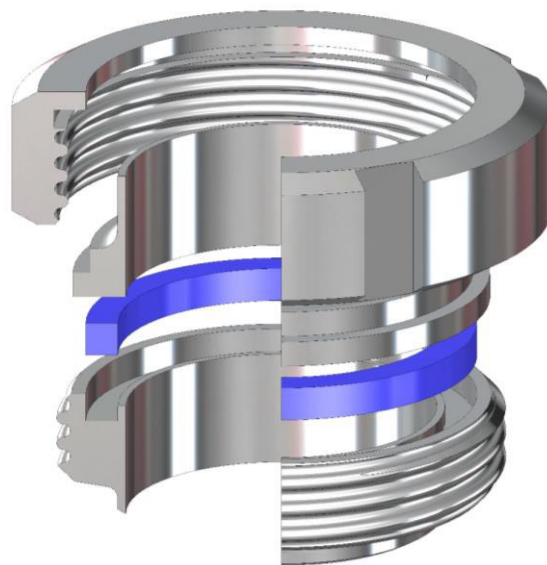


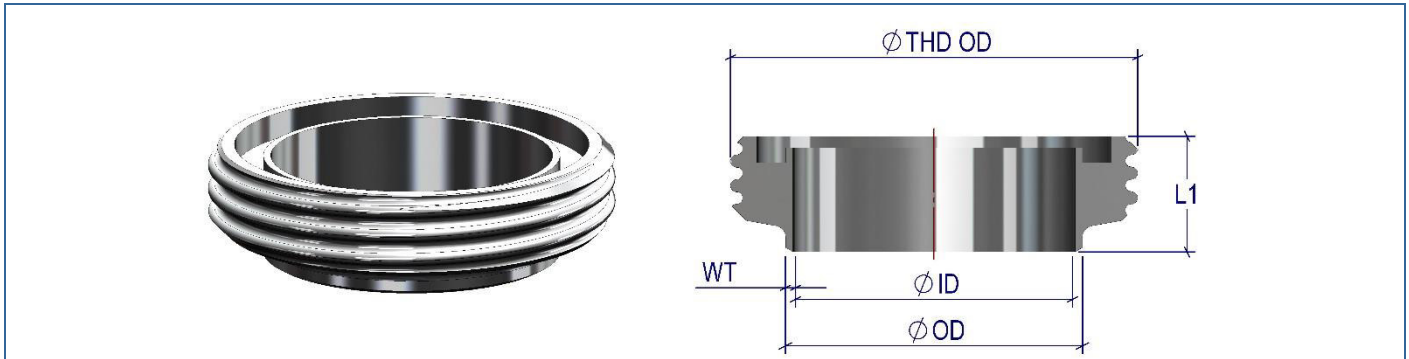


www.PROCESS FITTINGS.COM
Suppliers of Quality Stainless Steel Tubular Components
www.processfittings.com • sales@processfittings.com

HYGIENIC UNIONS

SMS



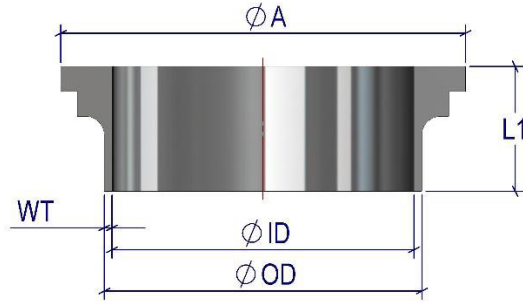
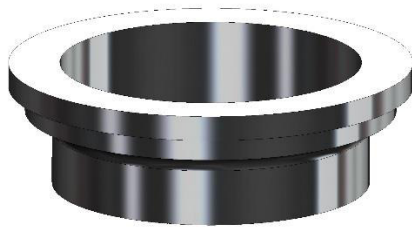


Hygienic Union, SMS, Male

| Size Inch | Dimensions [mm] | | | | | Part Code |
|-----------|-----------------|-------|------|--------|------|-----------|
| | OD | ID | WT | THD OD | L1 | |
| 1.00" | 25.40 | 22.10 | 1.65 | 40.0 | 15.0 | SMS.M.100 |
| 1.50" | 38.10 | 34.80 | 1.65 | 60.0 | 20.0 | SMS.M.150 |
| 2.00" | 50.80 | 47.50 | 1.65 | 70.0 | 20.0 | SMS.M.200 |
| 2.50" | 63.50 | 60.20 | 1.65 | 85.0 | 24.0 | SMS.M.250 |
| 3.00" | 76.20 | 72.90 | 1.65 | 98.0 | 24.0 | SMS.M.300 |
| 4.00" | 101.60 | 97.38 | 2.11 | 132.0 | 35.0 | SMS.M.400 |
| * 4.00" | 101.60 | 97.38 | 2.11 | 140.0 | 35.0 | SMS.M.401 |

- 2 Thread variations available for the 4" SMS

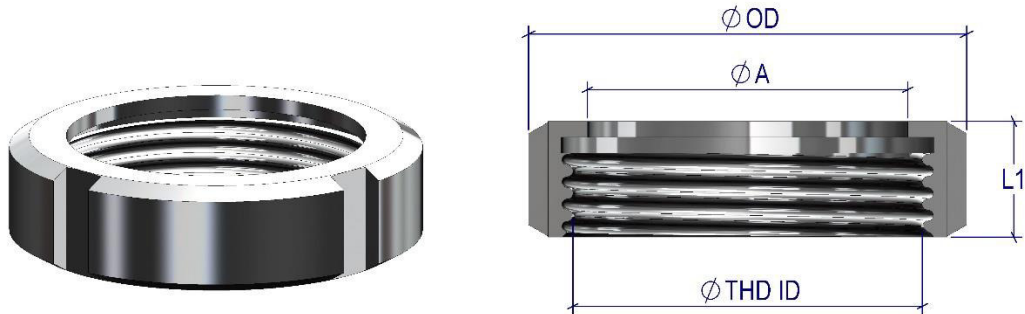
| Material | Part | Add Code | Product Specifications |
|-------------------------------|----------|----------|---------------------------------------|
| 316L / 1.4404 Stainless Steel | SMS Male | .6 | Certification Available EN10204 3.1 |
| | | | Suits Tube Standard BS4825-1, SMS3008 |
| | | | Suits Fittings BS4825-2, SMS3008 |



Hygienic Union, SMS, Weld Liner

| Size Inch | Dimensions [mm] | | | | | Part Code |
|--------------|-----------------|-------|------|-------|------|-----------|
| | OD | ID | WT | A | L1 | |
| 1.00" | 25.40 | 22.10 | 1.65 | 35.5 | 7.5 | SMS.L.100 |
| 1.50" | 38.10 | 34.80 | 1.65 | 55.0 | 9.0 | SMS.L.150 |
| 2.00" | 50.80 | 47.50 | 1.65 | 65.0 | 9.0 | SMS.L.200 |
| 2.50" | 63.50 | 60.20 | 1.65 | 80.0 | 9.0 | SMS.L.250 |
| 3.00" | 76.20 | 72.90 | 1.65 | 93.0 | 10.0 | SMS.L.300 |
| 4.00" | 101.60 | 97.38 | 2.11 | 127.0 | 12.0 | SMS.L.400 |

| Material | Part | Add Code | Product Specifications |
|-------------------------------|----------------|----------|---------------------------------------|
| 316L / 1.4404 Stainless Steel | SMS Weld Liner | .6 | Certification Available EN10204 3.1 |
| | | | Suits Tube Standard BS4825-1, SMS3008 |
| | | | Suits Fittings BS4825-2, SMS3008 |

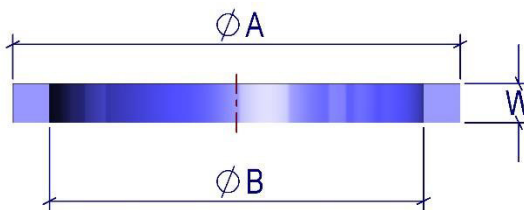
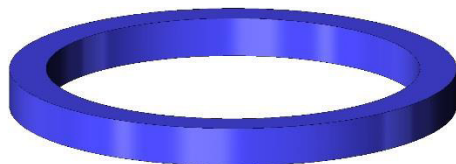


Hygienic Union, SMS, Round Slotted Nut

| Size Inch | Dimensions [mm] | | | | | Part Code |
|-----------|-----------------|--------|-------|------|--|-----------|
| | OD | THD ID | A | L1 | | |
| 1.00" | 51.0 | 34.0 | 32.0 | 20.0 | | SMS.N.100 |
| 1.50" | 74.0 | 54.0 | 48.0 | 25.0 | | SMS.N.150 |
| 2.00" | 84.0 | 64.0 | 60.5 | 26.0 | | SMS.N.200 |
| 2.50" | 100.0 | 79.0 | 74.0 | 30.0 | | SMS.N.250 |
| 3.00" | 114.0 | 92.0 | 87.0 | 32.0 | | SMS.N.300 |
| 4.00" | 154.0 | 124.0 | 117.0 | 45.0 | | SMS.N.400 |
| * 4.00" | 154.0 | 132.0 | 117.0 | 45.0 | | SMS.N.401 |

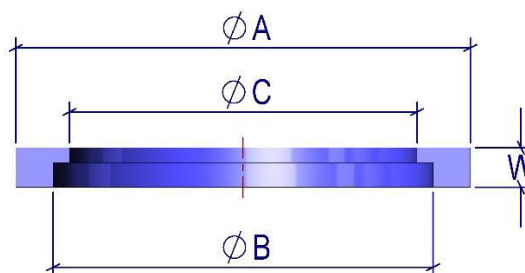
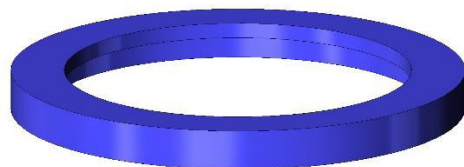
- 2 Thread variations available for the 4" SMS

| Material | Part | Add Code | Product Specifications | |
|-------------------------------|---------|----------|-------------------------|-------------------|
| 316L / 1.4404 Stainless Steel | SMS Nut | .6 | Certification Available | EN10204 3.1 |
| 304L / 1.4401 Stainless Steel | SMS Nut | .4 | Suits Tube Standard | BS4825-1, SMS3008 |
| | | | Suits Fittings | BS4825-2, SMS3008 |



Hygienic Union, SMS, Seal / Gasket (Standard)

| Size Inch | Dimensions [mm] | | | | Part Code |
|--------------|-----------------|-------|-----|--|-----------|
| | A | B | W | | |
| 1.00" | 32.0 | 24.8 | 5.5 | | SMS.S.100 |
| 1.50" | 48.0 | 37.8 | 5.5 | | SMS.S.150 |
| 2.00" | 61.0 | 50.8 | 5.5 | | SMS.S.200 |
| 2.50" | 73.5 | 63.2 | 5.5 | | SMS.S.250 |
| 3.00" | 86.0 | 75.5 | 5.5 | | SMS.S.300 |
| 4.00" | 114.0 | 101.0 | 5.5 | | SMS.S.400 |



Hygienic Union, SMS, Seal / Gasket (Hygienic Lipped)

| Size Inch | Dimensions [mm] | | | | Part Code |
|--------------|-----------------|-------|------|-----|------------|
| | A | B | C | W | |
| 1.00" | 32.0 | 24.8 | 22.2 | 5.5 | SMS.SL.100 |
| 1.50" | 48.0 | 37.8 | 34.8 | 5.5 | SMS.SL.150 |
| 2.00" | 61.0 | 50.8 | 47.5 | 5.5 | SMS.SL.200 |
| 2.50" | 73.5 | 63.2 | 60.2 | 5.5 | SMS.SL.250 |
| 3.00" | 86.0 | 75.5 | 72.9 | 5.5 | SMS.SL.300 |
| 4.00" | 114.0 | 101.0 | 97.6 | 5.5 | SMS.SL.400 |

| Material | Part | Add Code | Product Specifications |
|------------------|---------------|----------|---------------------------------------|
| EPDM | O-Ring / Seal | .E | Certification Available EN10204 3.1 |
| BUNA-N (Nitrile) | O-Ring / Seal | .N | Suits Tube Standard BS4825-1, SMS3008 |
| Silicone | O-Ring / Seal | .S | Suits Fittings BS4825-2, SMS3008 |
| VITON | O-Ring / Seal | .V | |