

FLWSOURCE PROCESS FITTINGS

ADAPTERS

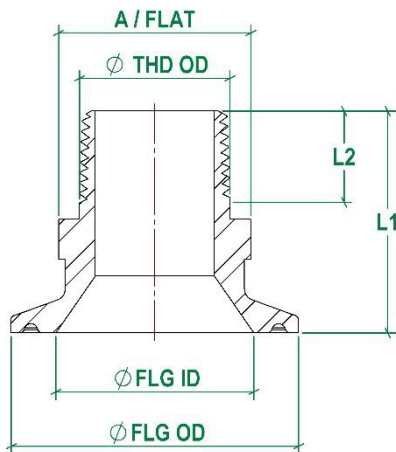
TC Ferrule X BSP Male / BSP Female / Hosetail



Published Data Is Given in Good Faith. We Reserve the Right To, Without Warning Change the Dimensions When Not In Conflict With The Published Standard

Adapters

Tri-Clamp Ferrule X BSPT Male



- Standard:** Flowsource Process Fittings
Material: 316L Stainless Steel, EN1.4404
Certification: EN 10204-3.1
Surface Finish (Ext / Int): 1.2Ra Average / 0.8Ra Average Parallel Surfaces
Associated Standard: BSP Tapered
Associated Parts: TC Clamps, TC Gaskets, TC Ferrule X BSP Female
Options: BSP Parallel, Alternative Materials
Remarks: Machined from Billet, All Variations Possible
 Please Contact Our Sales for Alternatives.

Adapters, TC Ferrule X BSP Male

Size (Inch)	FLG OD (mm)	FLG ID (mm)	THD OD (G Inch)	A FLAT (mm)	L2 (mm)	L1 (mm)	Part Code
0.500" X 0.180"	25.40	9.40	1/8"	15.80	6.50	26.50	A.CFBM.050.018
0.500" X 0.250"	25.40	9.40	1/4"	15.80	9.70	29.70	A.CFBM.050.025
0.500" X 0.380"	25.40	9.40	3/8"	18.80	11.30	31.30	A.CFBM.050.038
0.500" X 0.500"	25.40	9.40	1/2"	21.80	14.50	34.50	A.CFBM.050.050
0.750" X 0.180"	25.40	15.75	1/8"	15.80	6.50	26.50	A.CFBM.075.018
0.750" X 0.250"	25.40	15.75	1/4"	15.80	9.70	29.70	A.CFBM.075.025
0.750" X 0.380"	25.40	15.75	3/8"	18.80	11.30	31.30	A.CFBM.075.038
0.750" X 0.500"	25.40	15.75	1/2"	21.80	14.50	34.50	A.CFBM.075.050
0.750" X 0.750"	25.40	15.75	3/4"	33.80	16.10	39.10	A.CFBM.075.075
1.000" X 0.180"	50.50	22.10	1/8"	15.80	6.50	29.50	A.CFBM.100.018
1.000" X 0.250"	50.50	22.10	1/4"	15.80	9.70	32.70	A.CFBM.100.025
1.000" X 0.380"	50.50	22.10	3/8"	18.80	11.30	34.30	A.CFBM.100.038
1.000" X 0.500"	50.50	22.10	1/2"	31.70	14.50	37.50	A.CFBM.100.050
1.000" X 0.750"	50.50	22.10	3/4"	33.80	16.10	39.10	A.CFBM.100.075
1.000" X 1.000"	50.50	22.10	1"	40.80	19.30	42.30	A.CFBM.100.100
1.500" X 0.180"	50.50	34.80	1/8"	15.80	6.50	29.50	A.CFBM.150.018
1.500" X 0.250"	50.50	34.80	1/4"	15.80	9.70	32.70	A.CFBM.150.025
1.500" X 0.380"	50.50	34.80	3/8"	18.80	11.30	34.30	A.CFBM.150.038
1.500" X 0.500"	50.50	34.80	1/2"	31.70	14.50	37.50	A.CFBM.150.050
1.500" X 0.750"	50.50	34.80	3/4"	33.80	16.10	39.10	A.CFBM.150.075
1.500" X 1.000"	50.50	34.80	1"	40.80	19.30	42.30	A.CFBM.150.100
1.500" X 1.250"	50.50	34.80	1 1/4"	45.80	20.00	43.00	A.CFBM.150.125
1.500" X 1.500"	50.50	34.80	1 1/2"	54.80	20.80	43.80	A.CFBM.150.150
2.000" X 0.500"	64.00	47.50	1/2"	31.70	14.50	37.50	A.CFBM.200.050
2.000" X 0.750"	64.00	47.50	3/4"	33.80	16.10	39.10	A.CFBM.200.075
2.000" X 1.000"	64.00	47.50	1"	40.80	19.30	42.30	A.CFBM.200.100
2.000" X 1.250"	64.00	47.50	1 1/4"	45.80	20.00	43.00	A.CFBM.200.125
2.000" X 1.500"	64.00	47.50	1 1/2"	54.80	20.80	43.60	A.CFBM.200.150
2.000" X 2.000"	64.00	47.50	2"	67.00	24.00	47.00	A.CFBM.200.200
2.500" X 1.000"	77.50	60.20	1"	40.80	19.30	42.30	A.CFBM.250.100
2.500" X 1.250"	77.50	60.20	1 1/4"	45.80	20.00	43.00	A.CFBM.250.125
2.500" X 1.500"	77.50	60.20	1 1/2"	54.80	20.80	43.60	A.CFBM.250.150
2.500" X 2.000"	77.50	60.20	2"	67.00	24.00	47.00	A.CFBM.250.200
2.500" X 2.500"	77.50	60.20	2 1/2"	77.80	31.00	57.00	A.CFBM.250.250
3.000" X 1.000"	91.00	72.90	1"	40.80	19.30	42.30	A.CFBM.300.100
3.000" X 1.250"	91.00	72.90	1 1/4"	45.80	20.00	43.00	A.CFBM.300.125
3.000" X 1.500"	91.00	72.90	1 1/2"	54.80	20.80	43.60	A.CFBM.300.150
3.000" X 2.000"	91.00	72.90	2"	67.00	24.00	47.00	A.CFBM.300.200
3.000" X 2.500"	91.00	72.90	2 1/2"	77.80	31.00	57.00	A.CFBM.300.250
3.000" X 3.000"	91.00	72.90	3"	92.00	35.00	61.00	A.CFBM.300.300

Published Data Is Given in Good Faith. We Reserve the Right To, Without Warning Change the Dimensions When Not In Conflict With The Published Standard

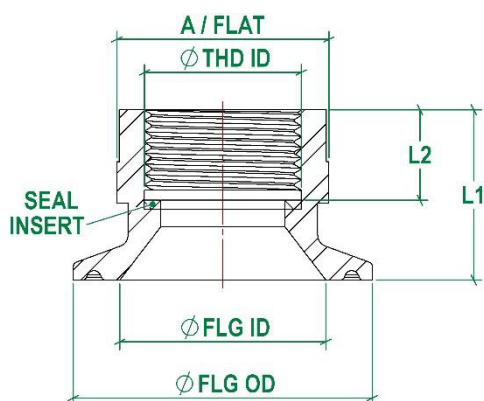
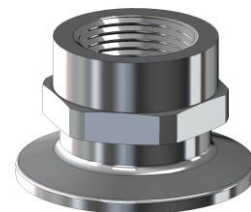
Flowsource Process Fittings

Unit 2F Hockney Road Industrial Estate, West Yorkshire, BD8 9HQ, United Kingdom
 [T] 01535 274 316 - [e] sales@flowsourcepf.com - [w] www.flowsourcepf.com

FLWSOURCE
PROCESS FITTINGS

Adapters

Tri-Clamp Ferrule X BSP Female



Standard: Flowsource Process Fittings

Material: 316L Stainless Steel, EN1.4404 / PTFE Teflon

Certification: EN 10204-3.1

Surface Finish (Ext / Int): 1.2Ra Average / 0.8Ra Average Parallel Surfaces

Associated Standard: BSP Parallel

Associated Parts: TC Clamps, TC Gaskets, TC Ferrule X BSP Male

Options: Alternative Materials

Machined from Billet, All Variations Possible

Remarks: Please Contact Our Sales for Alternatives.

Adapters, TC Ferrule X BSP Female

Size (inch) TC Ferrule X BSP Female	FLG OD (mm)	FLG ID (mm)	THD ID (G Inch)	A Flat (mm)	L2 (mm)	L1 (mm)	Part Code
0.500" X 0.125"	25.40	9.40	1/8"	18.80	9.10	22.10	A.CFBF.050.013
0.500" X 0.250"	25.40	9.40	1/4"	21.80	10.10	23.10	A.CFBF.050.025
0.500" X 0.380"	25.40	9.40	3/8"	26.80	11.10	25.50	A.CFBF.050.038
0.500" X 0.500"	25.40	9.40	1/2"	29.80	14.10	27.90	A.CFBF.050.050
0.750" X 0.125"	25.40	15.75	1/8"	18.80	9.10	22.10	A.CFBF.075.013
0.750" X 0.250"	25.40	15.75	1/4"	21.80	10.10	23.10	A.CFBF.075.025
0.750" X 0.380"	25.40	15.75	3/8"	26.80	11.10	24.10	A.CFBF.075.038
0.750" X 0.500"	25.40	15.75	1/2"	29.80	14.10	27.90	A.CFBF.075.050
0.750" x 0.750"	25.40	15.75	3/4"	35.80	15.80	28.80	A.CFBF.075.075
1.000" X 0.125"	50.50	22.10	1/8"	18.80	9.10	22.10	A.CFBF.100.013
1.000" X 0.250"	50.50	22.10	1/4"	21.80	10.10	23.10	A.CFBF.100.025
1.000" X 0.380"	50.50	22.10	3/8"	26.80	11.10	24.10	A.CFBF.100.038
1.000" X 0.500"	50.50	22.10	1/2"	29.80	14.10	27.90	A.CFBF.100.050
1.000" X 0.750"	50.50	22.10	3/4"	35.80	15.80	28.80	A.CFBF.100.075
1.000" X 1.000"	50.50	22.10	1"	45.60	18.10	31.10	A.CFBF.100.100
1.500" X 0.125"	50.50	34.80	1/8"	18.80	9.10	22.10	A.CFBF.150.013
1.500" X 0.250"	50.50	34.80	1/4"	21.80	10.10	23.10	A.CFBF.150.025
1.500" X 0.380"	50.50	34.80	3/8"	26.80	11.10	24.10	A.CFBF.150.038
1.500" X 0.500"	50.50	34.80	1/2"	29.80	14.10	27.90	A.CFBF.150.050
1.500" X 0.750"	50.50	34.80	3/4"	35.80	15.80	28.80	A.CFBF.150.075
1.500" X 1.000"	50.50	34.80	1"	45.60	18.10	31.10	A.CFBF.150.100
1.500" X 1.250"	50.50	34.80	1 1/4"	53.80	19.10	36.10	A.CFBF.150.125
1.500" X 1.500"	50.50	34.80	1 1/2"	59.80	21.10	39.10	A.CFBF.150.150
2.000" X 0.500"	64.00	47.50	1/2"	29.80	14.10	27.90	A.CFBF.200.050
2.000" X 0.750"	64.00	47.50	3/4"	35.80	15.80	28.80	A.CFBF.200.075
2.000" X 1.000"	64.00	47.50	1"	45.60	18.10	31.10	A.CFBF.200.100
2.000" X 1.250"	64.00	47.50	1 1/4"	53.80	19.10	36.10	A.CFBF.200.125
2.000" X 1.500"	64.00	47.50	1 1/2"	59.80	21.10	39.10	A.CFBF.200.150
2.000" X 2.000"	64.00	47.50	2"	73.80	23.10	42.10	A.CFBF.200.200
2.500" X 1.000"	77.50	60.20	1"	45.60	18.10	31.10	A.CFBF.250.100
2.500" X 1.250"	77.50	60.20	1 1/4"	53.80	19.10	36.10	A.CFBF.250.125
2.500" X 1.500"	77.50	60.20	1 1/2"	59.80	21.10	39.10	A.CFBF.250.150
2.500" X 2.000"	77.50	60.20	2"	73.80	23.10	42.10	A.CFBF.250.200
2.500" X 2.500"	77.50	60.20	2 1/2"	90.80	29.00	48.00	A.CFBF.250.250
3.000" X 1.000"	91.00	72.90	1"	45.60	18.10	31.10	A.CFBF.300.100
3.000" X 1.250"	91.00	72.90	1 1/4"	53.80	19.10	36.10	A.CFBF.300.125
3.000" X 1.500"	91.00	72.90	1 1/2"	59.80	21.10	39.10	A.CFBF.300.150
3.000" X 2.000"	91.00	72.90	2"	73.80	23.10	42.10	A.CFBF.300.200
3.000" X 2.500"	91.00	72.90	2 1/2"	90.80	29.00	48.00	A.CFBF.300.250
3.000" X 3.000"	91.00	72.90	3"	107.90	32.00	51.00	A.CFBF.300.300

Published Data Is Given in Good Faith. We Reserve the Right To, Without Warning Change the Dimensions When Not In Conflict With The Published Standard

Flowsource Process Fittings

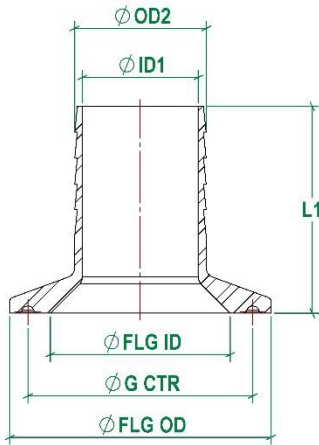
Unit 2F Hockney Road Industrial Estate, West Yorkshire, BD8 9HQ, United Kingdom

[T] 01535 274 316 - [e] sales@flowsourcepf.com - [w] www.flowsourcepf.com

FLOWSOURCE
PROCESS FITTINGS

Adapters

Tri-Clamp Ferrule X Hosetail Connection



Standard: Flowsource Process Fittings

Material: 316L Stainless Steel, EN1.4404

Certification: EN 10204-3.1

Surface Finish (Ext / Int): 1.2Ra Average / 0.8Ra Average Parallel Surfaces

Associated Standard: Imperial TC Ferrules, BS4825-3 / ASME BPE 2018

Associated Parts: TC Clamps, TC Gaskets,

Options: Alternative Materials, Metric Versions

Remarks: Machined from Billet, All Variations Possible
Please Contact Our Sales for Alternatives.

Adapters, TC Ferrule X Hosetail

Size (inch) TC Ferrule X Hosetail	FLG OD (mm)	FLG ID (mm)	OD2 (mm)	ID1 (mm)	L1 (mm)	Part Code
0.500" X 0.125"	25.40	9.40	3.18	1.50	32.00	A.CFHT.050.013
0.500" X 0.250"	25.40	9.40	6.35	3.35	32.00	A.CFHT.050.025
0.500" X 0.380"	25.40	9.40	9.53	6.53	32.00	A.CFHT.050.038
0.500" X 0.500"	25.40	9.40	12.70	9.70	32.00	A.CFHT.050.050
0.750" X 0.125"	25.40	15.75	3.18	1.50	32.00	A.CFHT.075.013
0.750" X 0.250"	25.40	15.75	6.35	3.35	32.00	A.CFHT.075.025
0.750" X 0.380"	25.40	15.75	9.53	6.53	32.00	A.CFHT.075.038
0.750" X 0.500"	25.40	15.75	12.70	9.70	32.00	A.CFHT.075.050
0.750" X 0.750"	25.40	15.75	19.05	16.05	32.00	A.CFHT.075.075
1.000" X 0.125"	50.50	22.10	3.18	1.50	40.00	A.CFHT.100.013
1.000" X 0.250"	50.50	22.10	6.35	3.35	40.00	A.CFHT.100.025
1.000" X 0.380"	50.50	22.10	9.53	6.53	40.00	A.CFHT.100.038
1.000" X 0.500"	50.50	22.10	12.70	9.70	40.00	A.CFHT.100.050
1.000" X 0.750"	50.50	22.10	19.05	16.05	40.00	A.CFHT.100.075
1.000" X 1.000"	50.50	22.10	25.40	22.40	40.00	A.CFHT.100.100
1.500" X 0.125"	50.50	34.80	3.18	1.50	40.00	A.CFHT.150.013
1.500" X 0.250"	50.50	34.80	6.35	3.35	40.00	A.CFHT.150.025
1.500" X 0.380"	50.50	34.80	9.53	6.53	40.00	A.CFHT.150.038
1.500" X 0.500"	50.50	34.80	12.70	9.70	40.00	A.CFHT.150.050
1.500" X 0.750"	50.50	34.80	19.05	16.05	40.00	A.CFHT.150.075
1.500" X 1.000"	50.50	34.80	25.40	22.40	40.00	A.CFHT.150.100
1.500" X 1.250"	50.50	34.80	31.75	28.75	40.00	A.CFHT.150.125
1.500" X 1.500"	50.50	34.80	38.10	34.80	40.00	A.CFHT.150.150
2.000" X 0.500"	64.00	47.50	12.70	9.70	60.00	A.CFHT.200.050
2.000" X 0.750"	64.00	47.50	19.05	16.05	60.00	A.CFHT.200.075
2.000" X 1.000"	64.00	47.50	25.40	22.40	60.00	A.CFHT.200.100
2.000" X 1.250"	64.00	47.50	31.75	28.75	60.00	A.CFHT.200.125
2.000" X 1.500"	64.00	47.50	38.10	34.80	60.00	A.CFHT.200.150
2.000" X 2.000"	64.00	47.50	50.80	47.50	60.00	A.CFHT.200.200
2.500" X 1.000"	77.50	60.20	25.40	22.40	60.00	A.CFHT.250.100
2.500" X 1.250"	77.50	60.20	31.75	28.75	60.00	A.CFHT.250.125
2.500" X 1.500"	77.50	60.20	38.10	34.80	60.00	A.CFHT.250.150
2.500" X 2.000"	77.50	60.20	50.80	47.50	60.00	A.CFHT.250.200
2.500" X 2.500"	77.50	60.20	63.50	60.50	60.00	A.CFHT.250.250
3.000" X 1.000"	91.00	72.90	25.40	22.40	60.00	A.CFHT.300.100
3.000" X 1.250"	91.00	72.90	31.75	28.75	60.00	A.CFHT.300.125
3.000" X 1.500"	91.00	72.90	38.10	34.80	60.00	A.CFHT.300.150
3.000" X 2.000"	91.00	72.90	50.80	47.50	60.00	A.CFHT.300.200
3.000" X 2.500"	91.00	72.90	63.50	60.50	60.00	A.CFHT.300.250
3.000" X 3.000"	91.00	72.90	76.20	73.20	60.00	A.CFHT.300.300

Published Data Is Given in Good Faith. We Reserve the Right To, Without Warning Change the Dimensions When Not In Conflict With The Published Standard

Flowsource Process Fittings

Unit 2F Hockney Road Industrial Estate, West Yorkshire, BD8 9HQ, United Kingdom

[T] 01535 274 316 - [e] sales@flowsourcepf.com - [w] www.flowsourcepf.com

FLWSOURCE
PROCESS FITTINGS