



ALBYNMEDICAL
Smart Medical Group

Urodynamics Accessories

Biocompatible - Pebax

Low Friction

Translucent

Larger Lumen

Solid - State Catheters

Complete Range



www.albynmedical.com

Leading Technology Applied to Urodynamics



ALBYNmEDICAL

Smart Medical Group

Easy handling luer-lock connector



Secure - All Albyn Medical catheters are fitted with our unique luer-lock connector, which has wider 'wings' allowing much better grip and easier connection & removal.

Ease of use - No more confusion with connections. All catheters have colour-coded connections which match Albyn Medical urodynamic systems, adaptor cables and pressure transducers. Set-up has never been so simple.



Translucent - Pebax

Clear - All Albyn Medical catheters are produced using translucent blue **Pebax**, which means air bubbles or obstructions can be easily traced, avoiding wasted time and patient discomfort.

Solid-colour catheters do not allow this.



ALBYNmedICAL

Smart Medical Group

Protection tubes

Safe - codes 288010, 288020, 288226, 288228, 288326, 288328 and 288539 are fitted with a rigid protection tube, which adds extra protection during transit/storage, and also keeps the catheter sterile when removed from pouch, cutting the risk of contamination.



Complete Product Range

Albyn Medical offers the complete product portfolio in Urodynamics, including:

Pressure Transducers

Reusable or single use

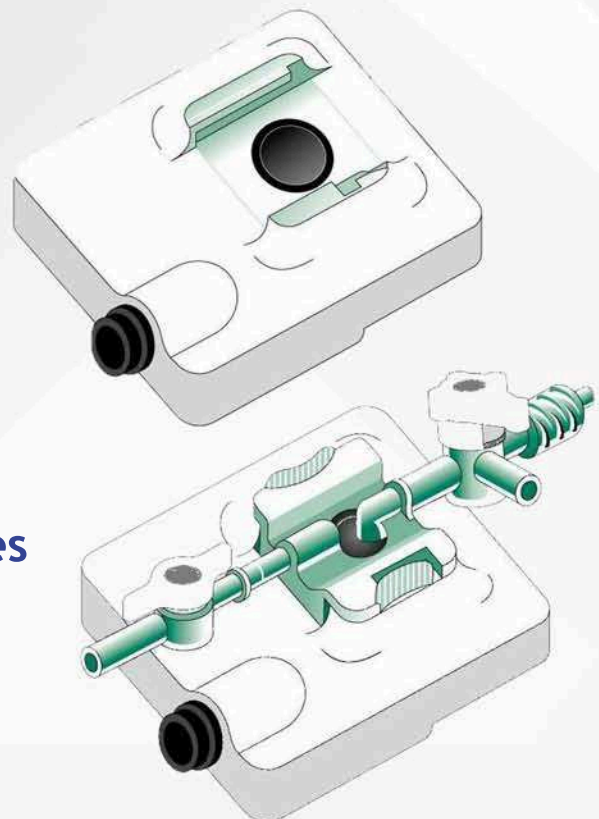
Urodynamic Domes

With integrated 3-way stopcock

Safety Valves

EMG & Biofeedback electrodes

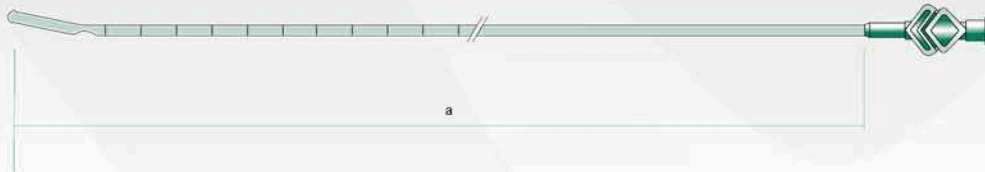
Solid-state catheters





CYSTOMETRY CATHETERS - single lumen

Bladder fill



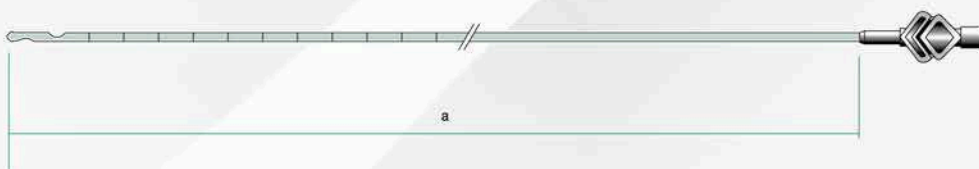
Code	Description	Diameter	Lumens	Dimensions	Pack qty
288010	Bladder fill	3.3mm/10F	1	a = 400mm	10

Sterile, single - use

- Markings:** In cm, 1cm from filling hole, up to 250mm.
- Material:** Pebax, translucent blue.
- Holes:** 1.5 x 4mm: 15mm from distal end.
- Connections:** Female luer lock connector, colour green (fill).
- Packaging:** Sterile, pouch containing one catheter, packaged "Straight".
Catheter fitted with protection tube.
Connector fitted with cap.

Used with code 288114 (below) for cystometry and pressure-flow studies. Tip is bent to facilitate tip of catheter 288114, and allow easy separation once inside bladder. Higher filling rates are possible (>100ml/min) than with double-lumen catheters.

Bladder pressure



Code	Description	Diameter	Lumens	Dimensions	Pack qty
288114	Bladder pressure	1.7mm/5F	1	a = 1800mm	10

Sterile, single - use

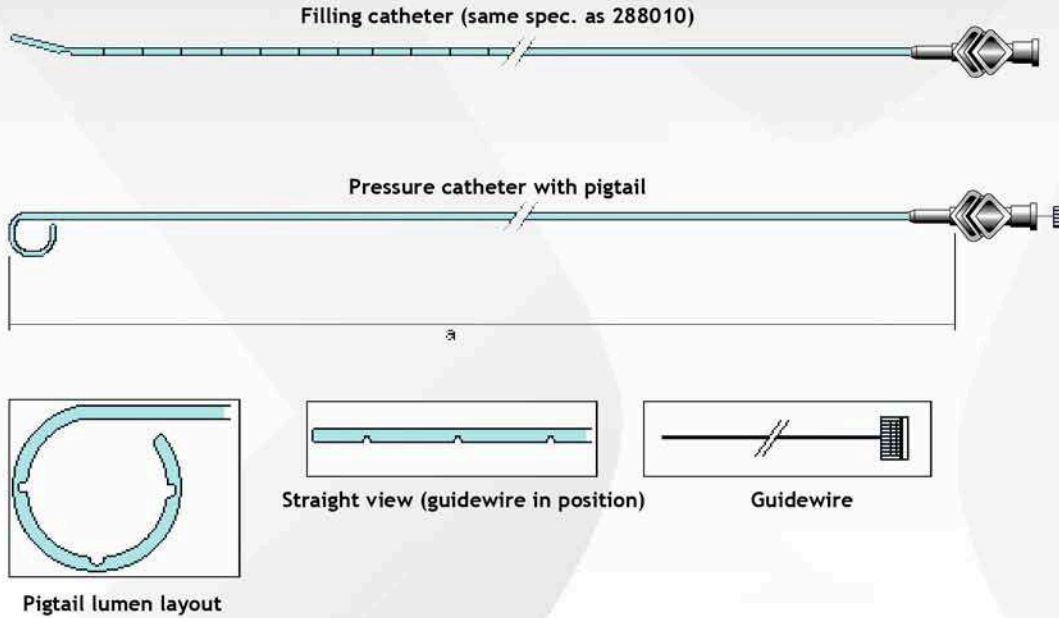
- Markings:** In cm, 1cm from proximal hole, up to 300mm.
- Material:** Pebax, translucent blue.
- Holes:** Ø 1mm, 1st hole 5mm from tip, 2nd hole 15mm from tip on opposite side.
- Connections:** Female luer lock connector, colour blue (bladder pressure).
- Packaging:** Sterile, pouch containing one catheter, packaged "Coiled"
Connector fitted with cap.

An ideal catheter for pressure-flow studies, where minimum obstruction of the urethra during voiding is required. The catheter is long enough to connect directly to the Vesical pressure transducer. The tip fits inside the filling hole of code 288010 (above) allowing easy 'piggy-back' introduction (catheters separate when inside bladder by "pulling-back").



CYSTOMETRY CATHETERS - single lumen

Catheter set, bladder pressure pigtail and bladder fill



Code	Description	Diameter	Lumens	Dimensions	Pack qty
288020	Catheter set, bladder pressure pigtail + bladder fill	1.7mm/5F + 3.3mm/10F	1	a = 450mm/ 400mm	10

(For specification of Filling Catheter - see document 288010)

Sterile, single - use

Material: Catheter: 50% Pebax - 50% Rilsan Ø 0.85 x 1.4 mm, transparent BLUE (UN5016TR).
Guidewire: Steel Ø 0.5mm

Holes: 3 x Ø1mm holes, in-line, positioned on inside of pigtail bend - see diagram.
1st hole 10mm from tip.
2nd hole 20mm from tip.
3rd hole 30mm from tip

Connections: Catheter: Albyn Medical winged female luer lock connector - Colour BLUE (Sky Blue UN5001).
Guidewire: Male luer lock connector - colour CLEAR, to fit Albyn Medical female connector.

Packaging: Pouch containing two catheters packaged "straight", and guidewire. Guidewire located inside pressure catheter but not tightened (pigtail formed).

Filling catheter fitted with protection tube and connector cap.
Pouch dimensions 630 x 80mm

Tip of pressure catheter fits inside hole of filling catheter, and is separated once inside bladder.

CYSTOMETRY CATHETERS - double lumen

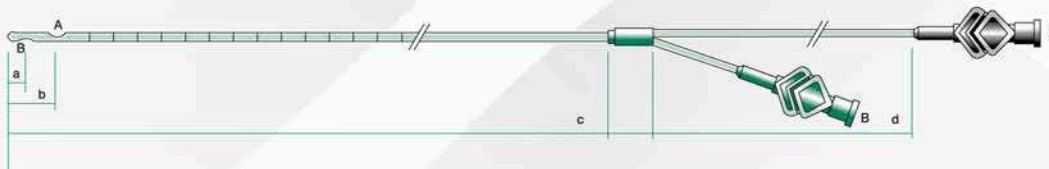


Code	Description	Diameter	Lumens	Dimensions	Pack qty
288226	Cystometry 2 lumen	2mm/6F	2	a = 5mm b = 15mm c = 400mm d = 60/50mm	10
288228	Cystometry 2 lumen	2.7mm/8F	2	as above	10

Sterile, single - use

- Markings:** In cm, 1cm from proximal hole, up to 250mm.
- Material:** Pebax, lumen cross-section 50:50, translucent blue.
- Holes:** A (pressure) - Ø 1.5mm. B (filling) - 1.5 x 3mm.
- Connections:** Connections as shown A -> A, B -> B.
 A - tube length 60mm, to female luer lock connector, colour blue (bladder pressure).
 B - tube length 50mm, to female luer lock connector, colour green (fill).
- Packaging:** Sterile, pouch containing one catheter, packaged "Straight".
 Catheter fitted with protection tube. Connectors fitted with caps.

Double lumen catheters are ideal for filling/voiding cystometry studies, easy to introduce and comfortable for the patient. The above models should be used in conjunction with "Code 288600 Connecting tube". The 6F model is ideal for Paediatric cystometry. Filling rates of up to 100ml/min are possible with both models.



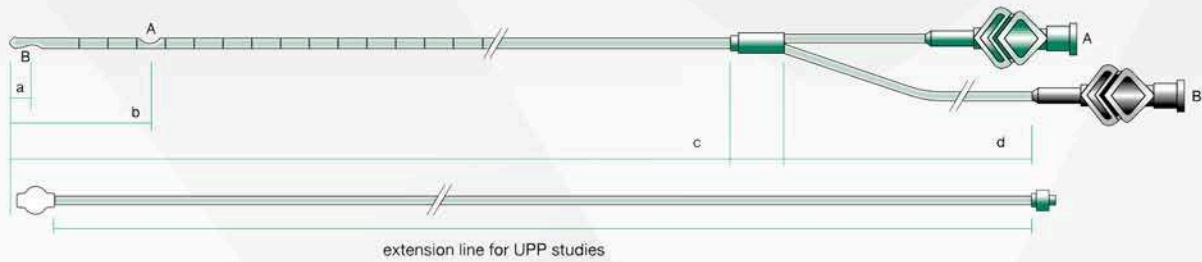
Code	Description	Diameter	Lumens	Dimensions	Pack qty
288326	Cystometry 2 lumen + ext line	2mm/6F	2	a = 5mm b = 15mm c = 400mm d = 1400/200mm	10
288328	Cystometry 2 lumen + ext line	2.7mm/8F	2	as above	10

Sterile, single - use

- Markings:** In cm, 1cm from proximal hole, up to 250mm.
- Material:** Pebax, lumen cross-section 50:50, translucent blue.
- Holes:** A (pressure) - Ø 1.5mm. B (filling) - 1.5 x 3mm.
- Connections:** Connections as shown A -> A, B -> B.
 A - tube length 1400mm, to female luer lock connector, colour blue (bladder pressure).
 B - tube length 200mm, to female luer lock connector, colour green (fill).
- Packaging:** Sterile, pouch containing one catheter, packaged "Straight".
 Catheter fitted with protection tube. Connectors fitted with caps.

Code 288326/288328 have an extended pressure line, which allows connection directly to the pressure transducer, excluding the need for an additional adaptor /extension line. Filling rates up to 100ml/min possible.

CYSTOMETRY + UPP CATHETER - double lumen



Code	Description	Diameter	Lumens	Dimensions	Pack qty
288426	Cystometry & UPP 2 lumen + ext lines	2mm/6F	2	a = 5mm b = 65mm c = 400mm d = 200/1400mm	10
288428	Cystometry & UPP 2 lumen + ext lines	2.7mm/8F	2	a = 5mm b = 65mm c = 400mm d = 200/1400mm	10

Sterile, single - use

Markings: In cm, 1cm from distal hole, up to 250mm.

Material: Pebax, lumen cross-section 50:50, translucent blue.

Holes: Ø 1.5mm.

Connections: Connections as shown A->A, B->B
 A - tube length 200mm, to female luer lock connector, colour green (fill).
 B - tube length 1400mm, to female luer lock connector, colour blue (bladder pressure).

Extension line: For connection of catheter to urethral pressure transducer. Length 1200mm colour transparent, female luer lock connector, colour yellow (urethral pressure), and male luer lock connector colour clear (for connection to green catheter connector).

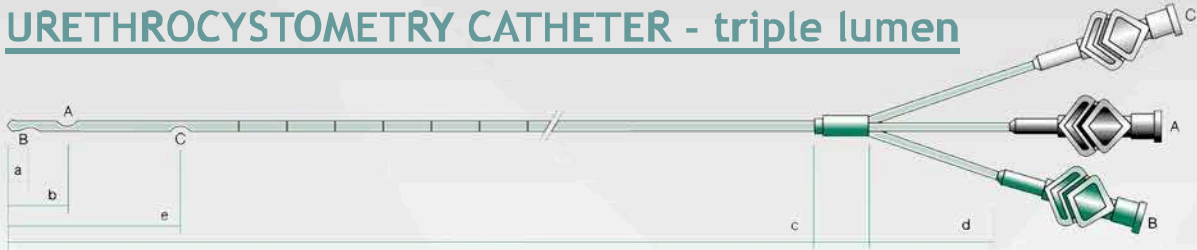
Y-connector: For connection of infusion line to catheter and urethral pressure extension line.
 1 male luer fitting, branching to 2 female luer fittings.

Packaging: Sterile, pouch containing one catheter and one extension line, packaged "Coiled", and one Y-connector.

All connectors fitted with caps.

This catheter may be used for cystometry and/or UPP studies. Following cystometry the filling lumen (green) is disconnected from the filling pump and connected to the urethral pressure transducer.
 We recommend using UPP perfusion line 33288900

URETHROCYSTOMETRY CATHETER - triple lumen



Code	Description	Diameter	Lumens	Dimensions	Pack qty
288539	Urethrocystometry 3 lumen PEBAX	3mm/9F	3	a = 5mm b = 15mm c = 400mm d = 50/60/70mm e = 75mm	10

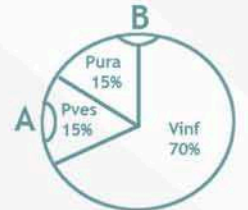
Sterile, single - use

- Markings:** In cm, 1cm from proximal hole, up to 250mm.
- Material:** Pebax, lumen cross-section 50:25:25, translucent blue. Filling lumen occupies 50%.
- Holes:**
 A (Pves pressure) - Ø 1.5mm.
 B (Filling) - 1.5 x 3mm.
 C (Pura pressure) - Ø 1.5mm.

- Connections:** Connections as shown A->A, B->B, C->C.
 A - tube length 60mm, to female luer lock connector, colour blue (bladder pressure).
 B - tube length 50mm, to female luer lock connector, colour green (fill).
 C - tube length 70mm, to female luer lock connector, colour yellow (urethral pressure).

- Packaging:** Sterile, pouch containing one catheter, packaged "Straight".
 Catheter fitted with protection tube. Connectors fitted with caps.

A single catheter for bladder filling and measuring Vesical and Urethral pressure, for filling/voiding cystometry and UPP's. Vesical (blue) and Urethral (yellow) lumens connect to respective pressure transducers using code "288600 Connecting tube".
 Filling rates up to 100ml/min possible.



Code	Description	Diameter	Lumens	Dimensions	Pack qty
288639	Urethrocystometry 3 lumen POLYURETHANE	3mm/9F	3	a = 20mm b = 70mm c = 400mm d = 40mm e = 75mm	10

Sterile, single - use

- Markings:** In cm, 1cm from proximal hole, up to 250mm.
- Material:** Blue polyurethane.
- Holes:**
 A (Pves pressure) - Ø 1.5mm.
 B (Filling) - 1.5 x 3mm.
- Connections:** Connections as shown A->A, B->B, C->C.
 A - tube Ø 1.05 x 2mm, to female luer lock connector, colour blue (bladder pressure), length 70mm.
 B - tube Ø 1.05 x 2mm, to female luer lock connector, colour green (fill), length 70mm.
 C - tube Ø 1.05 x 2mm, to female luer lock connector, colour yellow (urethral pressure), length 70mm.

- Packaging:** Sterile, pouch containing one catheter, packaged "Straight".
 Catheter fitted with protection tube. Connectors fitted with caps.

A single catheter for bladder filling and measuring Vesical and Urethral pressure, for filling/voiding cystometry and UPP's. Vesical (blue) and Urethral (yellow) lumens connect to respective pressure transducers using code "288600 Connecting tube".
 Filling rates up to 100ml/min possible.

RECTAL BALLOON CATHETERS



Code	Description	Diameter	Dimensions	Pack qty
288610	Rectal balloon LATEX	4mm/12F	a = 180mm b = 55mm c = Ø11mm	10
288611	Rectal balloon LATEX	4mm/12F	a = 300mm b = 70mm c = Ø15mm	10

Sterile, single - use

- Material:** Tube - Pebax, translucent blue. Balloon - Latex.
- Holes:** 3 inside balloon to aid water filling/air removal.
- Connections:** Female luer lock connector, colour red (rectal pressure)
1 way stopcock, to aid water filling/air removal.
- Packaging:** Sterile, pouch containing one catheter, packaged "Straight".
1 way stopcock included.
Connector fitted with cap.

Rectal balloon catheters provide the ideal method for measuring abdominal pressure. The balloon prevents the lumen from being blocked during insertion, and provides good retention. Code 288610 is suitable for paediatric studies.

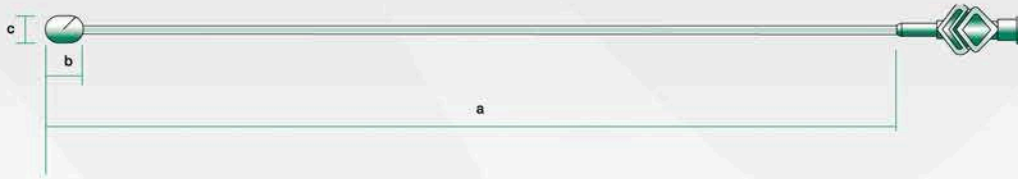


Code	Description	Diameter	Dimensions	Pack qty
288612	Rectal balloon SILICONE	4mm/12F	a = 180mm b = 30mm c = Ø9mm	10

Sterile, single - use

- Material:** Tube - Pebax Ø 4.0mm, transparent blue.
Balloon - Silicone (latex free).
- Holes:** 3 inside balloon (distal, mid and proximal).
- Connections:** Winged Albyn Medical female luer lock connector,
colour red (rectal pressure)
- Packaging:** Sterile, pouch containing one catheter, packaged "Straight".
1 way stopcock included.
Connector fitted with cap.

RECTAL BALLOON CATHETERS



Code	Description	Diameter	Dimensions	Pack qty
95000000	Rectal balloon (cut)	1.5mm/4.5Fr	a = 1800mm b = 25mm c = 7mm	10

Sterile, single - use

Material: Tube - PVC Ø 4.5Fr, colour transparent.
Balloon - PVC, glued to balloon tube to prevent 'roll-up' when catheter is withdraw from patient.

Holes: 1 inside balloon.

Connections: Winged Albyn Medical female luer lock connector, colour red (rectal pressure).

Packaging: Sterile, pouch containing one catheter, packaged "Coiled".
Connector fitted with cap.

The balloon on this catheter has a cut to allow air to be flushed out during priming. The catheter is long enough to connect directly to the abdominal pressure transducer. The balloon is bonded to the tube to prevent it being detached and left inside the patient when the catheter is withdrawn. The small balloon size is comfortable for the patient and ideal for paediatric studies.

CONNECTING TUBE



Code	Description	Diameter	Dimensions	Pack qty
288600	Connecting Tube	2mm/6F	a = 1400mm	10

Sterile, single - use

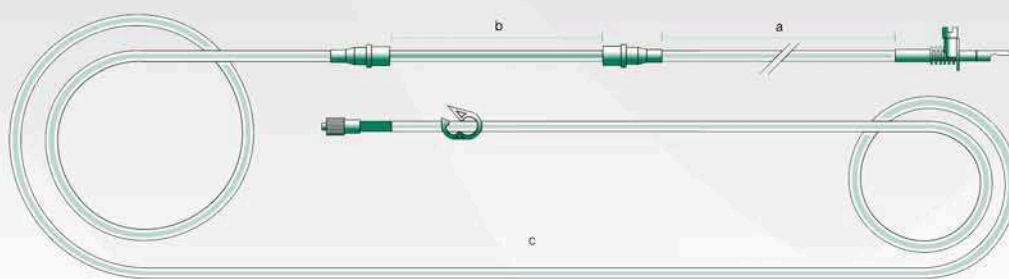
Material: PVC, clear.

Connections: Female luer lock connector, colour clear
Male luer lock connector, colour clear.

Packaging: Sterile, pouch containing one tube, packaged "Coiled".
Connectors fitted with caps.

For use with catheters 288226, 288228, 288020, 288539, 288610 and 288611.

PUMP TUBING SETS - Albyn Medical



Code	Description	Length	Dimensions	Pack qty
288705	Pump tube with clamp, for Hermes, SmartDyn and Phoenix Plus	3700mm	a = 500mm b = 200mm c = 300mm	10
288710	Pump tube with clamp, for older Albyn Urodynamic systems	4200mm	a = 1000mm b = 200mm c = 3000mm	10

Sterile, single - use

Material: Sections "a" and "c" - PVC, clear.
Section "b" - Silicone rubber, clear.

Connections: Connection at end of section "a" = Spike (vented).
Connection at end of section "c" = Rotating male luer lock colour clear, with green indicator at connector.
Clamp fitted to section "c".

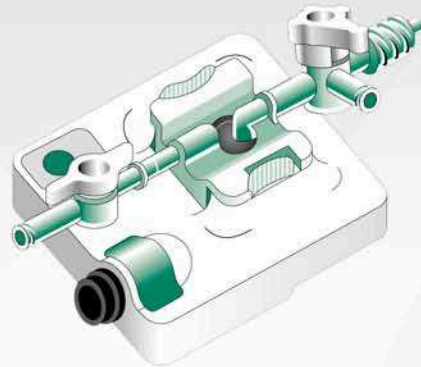
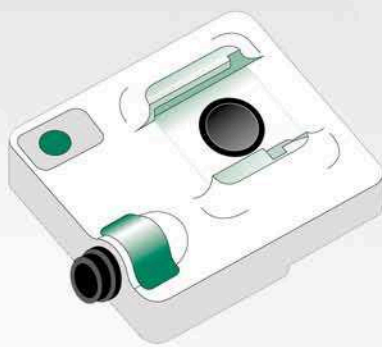
Packaging: Sterile, pouch containing one tube, packaged "Coiled".
Connectors fitted with caps.

Both tubes are designed specifically for use with Albyn Medical Urodynamic systems. The vented spike allows bottles to be used without the need for an additional vent or needle, and a clamp is fitted to help prevent spillage during priming. To help the user, the Green indicator on the luer connector matches with the Green connector on all catheters with a filling lumen. Code 288710 will fit all Albyn systems, and the length of code 288705 is tailored to fit Hermes, SmartDyn and Phoenix Plus.

PUMP TUBING SETS - non Albyn Medical

Code	Description	Pack qty
288720	Pump tube with clamp, Sirius (Wiest)	10
95400001	Pump tube for Lectromed systems	25
95400002	Pump tube for Sedia systems	25
95400003	Pump tube for Laborie systems	25
95400004	Pump tube for MMS UD2000 systems	20
95400005	Pump tube for MMS Solar/Libra systems	20
95400006	Pump tube for Medtronic/Dantec systems	25
95400008	Pump tube for Si-em systems	25

PRESSURE TRANSDUCER



Code	Description	Pack qty
00002785	Pressure transducer, reusable Type B,	3

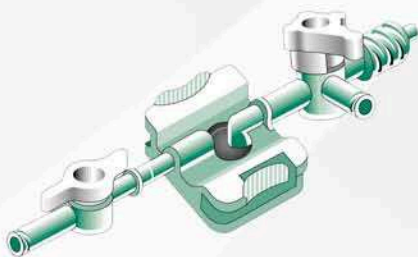
Non-sterile, reusable

Description: High quality reusable pressure transducer ideal for Urodynamics. 100mmHg test button. Gold-plated non-corroding pins. Silicone seals to prevent fluid from entering transducer-cable connection (which causes premature failure in other systems).

Packaging: Non-sterile, box containing 3, with colour-coded adhesive labels for Pves (blue), Pabd (red) and Pura (yellow). Transducer sensor protected with dummy dome.

Reusable pressure transducers and disposable domes provide the most cost-effective solution for urodynamic clinics.

PRESSURE TRANSDUCER DOMES



Code	Description	Pack qty
00002787	Dome for pressure transducer Type B	50

Sterile, single - use

Description: Disposable dome for reusable pressure transducer code 00002785. 3-way stopcock fitted at one end, 1-way stopcock on other end.

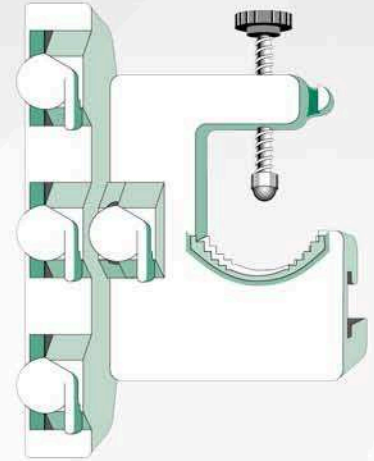
Packaging: Sterile, pouch containing one dome, box of 50. Luer connectors fitted with caps, and membrane fitted with plastic protector.



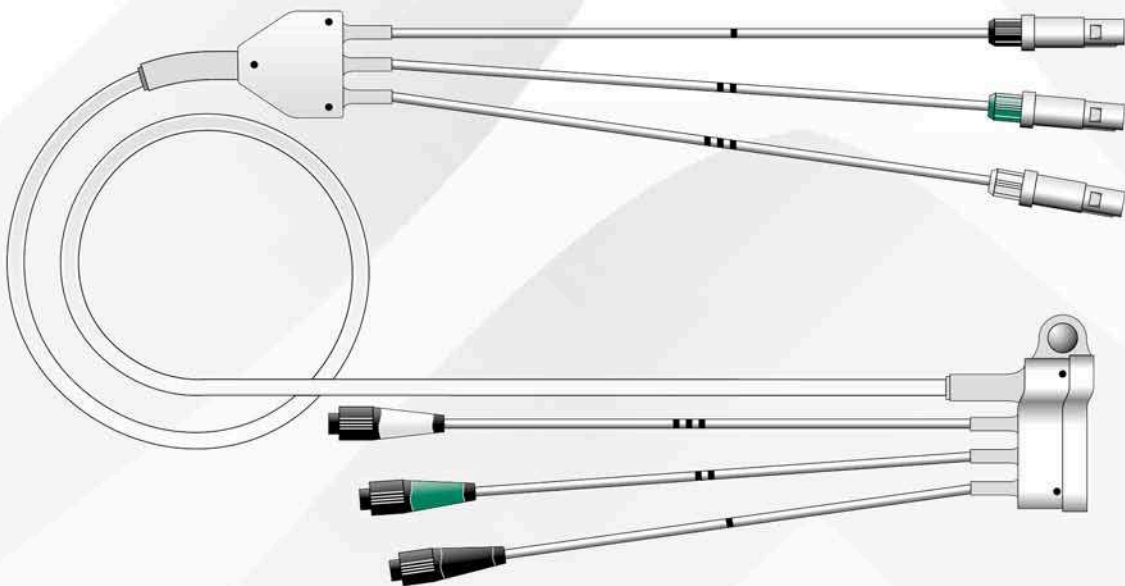
PRESSURE TRANSDUCER CLAMP/BRACKET

Code	Description	Pack qty
00001907	Clamp & bracket 3 way, for pressure transducer type B	1

Description: High quality clamp and bracket assembly.
Holds up to 3 pressure transducers.
Fits to Hermes/SmartDyn/Phoenix transducer stand or standard drip pole.
Unique lever and clamp design allows easy, quick and secure assembly.



PRESSURE TRANSDUCER ADAPTOR CABLE

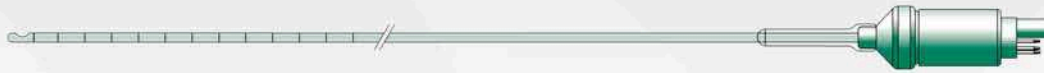


Code	Description	Pack qty
00002794	Adaptor lead for pressure transducer type B, 3 way	1

Description: 3 way adaptor lead for connecting code 00002785 pressure transducers to Phoenix Mk2 or Phoenix Plus systems.
Colour-coded at both ends, allowing quick and easy connection.
Designed for use with code 00001907 Clamp and Bracket assembly, which incorporates a storage receptacle for connectors not in use, and a unique strain-relief arrangement.

MICROTIP CATHETERS FOR URODYNAMICS

1 sensor



2 sensor

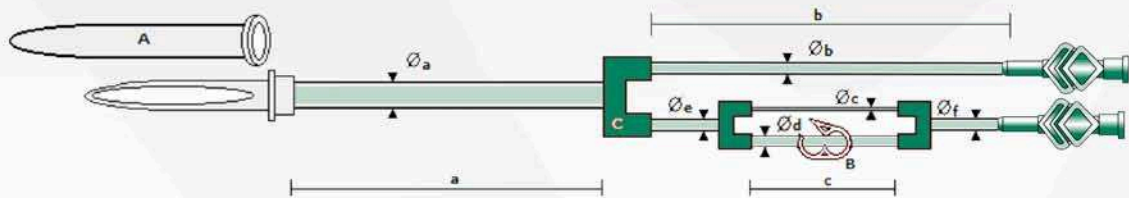


Code	Description	Diameter	Length	Material
00003811	Catheter microtip 1 sensor	2.3mm/7F	1100mm	Polyurethane
00003812	Catheter microtip 2 sensor	2.3mm/7F	1100mm	Polyurethane
00003822	Catheter microtip 2 sensor + filling lumen	3mm/9F	700 mm	Polyurethane
00003611	Catheter microtip 1 sensor	2.3mm/7F	1100mm	Silicone
00003621	Catheter microtip 1 sensor + filling lumen	3.3mm/10F	700 mm	Silicone
00003612	Catheter microtip 2 sensor	2.3mm/7F	1100mm	Silicone
00003622	Catheter microtip 2 sensor + filling lumen	3.3mm/10F	700mm	Silicone

Material:	Medical grade polyurethane (blue) or medical grade silicone.
Sensors:	1 sensor catheters - sensor at tip. 2 sensor catheters - 60mm spacing, sensor in-line.
Markings:	10mm (thin) and 50mm (thick) intervals from centre of proximal sensor.
Filling lumens:	Exit at tip, entry - stainless steel luer lock connector. Code 00003822 - Ø 0.75mm lumen. Code 00003621 and 00003622 - Ø 1mm lumen.
Connector:	16 pin Lemo, compatible with Albyn Medical adaptor cables.
Sensitivity:	5µV/V/mmHg.
Adaptor cables:	1 sensor - code 00001941. 2 sensor - code 00001942.
Packaging:	Non-sterile. Calibration tube included. Connector fitted with cap.
Sterilisation:	Cold aqueous solution of detergent or ethylene oxide gas.

Microtip catheters may be used instead of external transducers and fluid-filled disposable catheters. Vesical pressure is measured with a 1 or 2 sensor catheter, if a 2 sensor catheter is used Urethral pressure may be recorded simultaneously, both types are available with/without filling lumens for connection to a pump. Abdominal (rectal) pressure is measured using a 1 sensor catheter. They produce highly accurate results and are the preferred choice for recording of Stress UPP studies.

URETHRAL PERFUSION LINE



Code	Description	Dimensions	Pack qty
33288900	Urethral perfusion line	a= 1500 b= 500mm c= 110mm	5

Sterile, single - use

Material: Ø_a = PVC clear, 4mm external diameter-
 $\text{Ø}_b = \text{Ø}_d = \text{Ø}_e = \text{Ø}_f$ = PVC clear, 2.5mm external diameter
 $\text{Ø} = 0.25\text{mm}$

Connections: Connection at end of section ' Ø_a ' = Spike (vented).
 Connection at end of section ' Ø_b ' = Albyn Medical winged male luer lock connector - colour transparent.
 Connection at end of section ' Ø_f ' = Albyn Medical winged male luer lock connector - transparent.
 Red clamp fitted to section ' Ø_c '.
 A = white cap

The dimensions of the capillary tube determine that for an applied pressure of 300mmHg the perfusion rate will be 2ml/min.

Packaging: Pouch containing one catheter, packaged "Coiled".

Connectors fitted with caps.



ALBYNmedical

Smart Medical Group

Product Codes	Description
00288010 00288114 00288020	Bladder fill 10F Bladder pressure 5F Pigtail set, 5F pressure + 10F fill
00288226 00288228 00288326 00288328 00288426 00288428	Cystometry 6F, double lumen Cystometry 8F, double lumen Cystometry 6F, double lumen + ext line Cystometry 8F, double lumen + ext line Cystometry + UPP 6F, double lumen Cystometry + UPP 8F, double lumen
00288539 00288639	Urethrocystometry 8F, triple lumen - PEBAX Urethrocystometry 9F, triple lumen - POLYURETHANE
00288610 00288611 00288612 95000000	Rectal balloon 12F, LATEX Rectal balloon 12F, LATEX Rectal balloon 12F, SILICONE Rectal balloon (cut) 4.5F, LATEX FREE
00288600	Connecting tube 2mm/6F
00288705 00288710 00288720 95400001 95400002 95400003 95400004 95400005 95400006 95400008	Pump tube with clamp for Hermes/SmartDyn/Phoenix Plus Pump tube with clamp for older Albyn Urodynamic systems Pump tube with clamp, Sirius (Wiest) Pump tube for Lectromed systems Pump tube for Sedia systems Pump tube for Laborie systems Pump tube for MMS UD2000 systems Pump tube for MMS Solar/Libra systems Pump tube for Medtronic/Dantec systems Pump tube for Si-em systems
00002785 00002787 00001907 00002794	Pressure transducer, reusable type B Dome for pressure transducer type B Clamp & bracket 3 way, for pressure transducer type B Adaptor lead for pressure transducer type B, 3 way
00003811 00003812 00003822 00003611 00003621 00003612 00003622	Catheter microtip 1 sensor, 2.3mm/7F, Polyurethane Catheter microtip 2 sensor, 2.3mm/7F, Polyurethane Catheter microtip 2 sensor + filling lumen, 3mm/9F, Polyurethane Catheter microtip 1 sensor, 2.3mm/7F, Silicone Catheter microtip 1 sensor + filling lumen, 3.3mm/10F, Silicone Catheter microtip 2 sensor, 2.3mm/7F, Silicone Catheter microtip 2 sensor + filling lumen, 3.3mm/10F, Silicone
33288900	Urethral perfusion line

Distributed by:

www.albynmedical.com

Distributed by Albyn Medical Ltd.

Bridgend Road Industrial Estate, Dingwall, Ross-shire, IV15 9QF - Scotland

Tel. +44 1349 862388

Fax. + 44 1349 864146

Mail: sales@albynmedical.com

